

SEZNAM TABULEK

ČÍSLO TABULKY	NÁZEV
001	Hnací náprava
002	Hnací náprava - Čelní ozubený převod
003	Hnací náprava - Řadicí ústrojí
004	Hnací náprava - Rozvodka - Diferenciál
005	Hnací náprava - Spojka - Variátor
007	Brzda, vlevo, vpravo
008	Kostra stroje
009	Mlátící buben
010	Převodovka mlátícího bubnu
011	Mlátící koš s přestavením
012	Zachycovač kamenů
013	Spojovací hřídel - Variátor pojezdového ústrojí
014	Odmítací buben - Variátor
015	Záchytná klopna - Rozdružovací plech
016	Vytrásadlo
017	Čištění
018	Čištění
019	Čištění
020	Čistící pohon
021	Čistící výfuk
022	Šnek na zrno a na klásky
023	Elevátor klasů
024	Horní šnek na klásky
025	Elevátor zrna
026	Pohon elevátoru
027	Zásobník na obilí
028	Zásobník na zrno - Šnek k plnění zásobníku
029	Šnek zásobníku
030	Vyprazdňovací šnek
031	Řídicí náprava
032	Kryt - Plášť - Obložení
033	Obložení - Plášť - Kapotáž - Kryt
034	Skříň na baterii
035	Posuvná střecha - Plošina řidiče - Zábradlí - Výstup
036	Řadicí skříň
037	Indikace otáček pro mlátící buben

038	Regulace otáček pro naviják
039	Ovládání variátoru pro mlátící buben
040	Sedadlo řidiče
041	Řízení
042	Táhlo spojky pro jízdní ústrojí
043	Táhlo nožní-spojky
044	Táhlo ruční brzdy
045	Spojka zásobníku
046	Spojka řezného ústrojí
047	Spojka mlátícího ústrojí
048	Napínací kladky
049	Šachta - Skříň
050	Šachta - Pohon
051	Vyztužení řezného ústrojí
052	Hydraulické zařízení. Vyprazdňovací šnek
052A	Hydraulické zařízení
053	Tlakový redukční ventil. Baterie cestného uzavíracího ventilu
054	Hydraulické zařízení. Nádrž na olej
055	Zubové čerpadlo A 16 L. A 25 L
056	Pracovní válec - Řízení
057	Elektrické zařízení
058	Řezné ústrojí - Žlab - Nůž - Nosní lišty
059	Pohon nože
060	Dopravní šnek
061	Variátor navijáku
062	Nosič navijáku - Přesun hašple
063	Naviják
064	Naviják. Horizontální přestavení
065	Hydraulika navijáku
066	Hrot rozdělovače - Třmen rozdělovače Rozdělovač stébel - Zvedač klásků
067	Sběrací buben
068	Sběrací buben
069	Sběrač s plátnem s prsty
070	Sběrač s plátnem s prsty
071	Pohon pro sběrací buben - Sběrač s plátnem s prsty
072	Vozík řezného ústrojí
073	Kabina
074	Střecha kabiny
074A	Větrání kabiny
075	Stahovací přípravek - Zkušební přípravek
076	Přídavné vybavení pro ČSSR

REJSTŘÍK

10055000100....076/008	10706308030....003/096	28410500058....058/038	28421038675....050/010
10055000300....076/007	10706308600....026/010	28410500078....058/029060/034
10055000400....072/037	10706309000....009/013	28410500083....058/003	28421038676....060/031
10500220327....013/044013/021	28410500085....058/011	28421039910....050/011
10500300470....049/056	10706309600....013/046	28410500091....058/048	28421039930....060/003
10500400527....067/023014/006	28411008564....046/004	28422116616....065/017
10600121500....055/012	10706311000....003/027	28411008564....046/004	28422160002....049/001
10601163172....020/028	10710120500....070/006	28411008713....003/070	28422160004....049/020
10601223150....071/049	10710120600....060/043	28411008823....022/018	28422160011....049/002
10601252700....013/042	10710120700....050/020023/020	28422160013....049/003
10601253350....050/030	10710131290....014/039024/027	28422160017....049/009
10621222500....026/022	10722221800....002/015025/020	28422160021....050/043
10621222650....026/024	10733220800....031/020070/012	28422160023....049/042
10621223000....026/023059/029	28412108016....072/022	28422160024....050/044
10706001000....037/013072/006	28412108217....072/020	28422160025....049/017
10706007000....005/010	10733221010....031/019	28413177187....041/001	28422160027....050/042
10706010000....009/044072/007	28413177815....055/019	28422160028....049/011
10706015000....020/008	10742214300....002/011	28413177817....055/020	28422160033....049/013
10706022000....010/047	10750511040....062/026	28413577400....073/010	28422160037....049/010
10706204000....046/003	10750511090....031/007	28414075220....053/011	28422160040....050/018
....049/054	10750511200....013/014	28414075221....053/010	28422160043....049/019
10706204600....046/005014/007	28414075222....053/008	28422160053....049/018
10706205000....071/014	10760490500....059/025	28414075223....053/007	28422160054....049/016
10706205600....022/019	10760490700....059/021	28414075224....053/004	28422160064....049/024
....023/015	10760491300....010/042	28414075227....053/017	28422160065....049/023
....024/009	10701012050....050/038	28414075228....053/015	28422160080....050/009
....025/015	10791012060....016/017	28414075229....053/016	28422160085....050/013
....028/023060/010	28414075230....053/022060/027
....045/005	10791012090....059/005	28414075236....053/026	28422160088....050/002
....061/035	10791032070....020/007	28414075241....053/040	28422160093....050/019
10706205700....023/063	10791032070....020/007	28414075246....053/027	28422160109....050/006
....024/029021/014	28414075246....053/027	28422160111....049/015
....025/061	28112363172....058/014A	28414075247....053/030	28422160112....049/014
....028/011	28120168451....005/003	28414075248....053/031	28422160114....050/008
10706206000....067/025	28120168465....005/001	28414075266....056/004	28422160127....050/014
10706206600....021/050	28402116576....065/019	28414075268....056/008	060/036
....048/004	28402116579....065/007	28414075271....056/014	28422160130....050/016
....061/015	28402116581....065/008	28414075272....056/016060/026
10706206700....021/045	28402116583....065/005	28414075275....056/026	28422160143....050/041
....061/038	28402116584....065/013	28414075277....056/027	28422160146....050/040
10706207000....010/039	28402116585....065/004	28414075278....056/028	28422160148....050/037
....026/011	28402116586....065/010	28414075279....056/029	28422160150....050/051
10706207600....047/008	28402116588....051/017	28414075280....055/018	28422160152....050/032
10706208000....003/028	28402116612....051/020	28414075284....055/021	28422160156....050/033
....003/101	28402116617....051/015	28414075285....055/017	28422160157....050/034
....055/037	28402116618....051/018	28414075286....055/022	28422160172....049/021
10706208600....029/021	28402116619....051/022	28414075294....043/072	28422160173....049/008
....055/005	28403280050....056/001	28414075295....043/051	28422160174....050/004
10706209600....061/040	28403280051....031/015	28414075381....053/041	28422160175....050/001
10706209730....016/031	28403280298....041/009	28421037711....044/001	28422160176....049/053
10706210100....010/044	28403280299....041/010	28421038195....008/003	28422160177....049/052
10706212000....004/016	28403280305....044/009	28421038220....050/007	28422160182....051/002
10706307000....003/029	28403281041....002/010060/030	28422160191....051/001
....010/040	28403281114....003/008	28421038584....059/014	28422160234....038/001
10706308000....002/006	28410500037....058/035	28421038609....059/020	28422160235....038/006

28422160236....038/008	28422160452....040/006	28422160667....035/009	28422160942....031/009
28422160238....038/011	28422160456....040/008	28422160668....035/045	28422160948....031/008
28422160241....008/001	28422160458....040/009	28422160670....033/014	28422160949....031/031
28422160243....008/053	28422160460....040/010	28422160679....035/006	28422160950....052A/045
28422160250....008/002	28422160462....040/011	28422160682....035/029	28422160951....052A/042
28422160255....008/047	28422160471....036/001	28422160693....047/007	28422160961....031/002
28422160260....008/048	28422160478....036/006	28422160694....047/011	28422160965....031/003
28422160261....008/049	28422160483....036/003	28422160695....047/009	28422160966....052A/007
28422160266....008/008	28422160485....036/015	28422160698....047/024	28422161001....013/034
28422160268....008/006	28422160487....036/018	28422160700....047/025014/024
28422160269....008/064	28422160489....036/017	28422160702....047/018	28422161005....013/033
28422160271....008/009	28422160491....036/016	28422160704....047/015	28422161006....009/012
28422160272....008/010	28422160493....036/020	28422160708....047/003013/026
28422160274....008/011	28422160496....036/002	28422160712....047/029	28422161007....009/014
28422160276....008/012	28422160498....036/004	28422160714....047/030013/024
28422160277....008/005	28422160502....036/008	28422160718....047/006014/010
28422160280....008/015	28422160504....036/009	28422160728....047/020	28422161009....013/001
28422160281....008/016	28422160506....036/010	28422160730....047/016	28422161010....013/013
28422160283....008/019	28422160508....036/011	28422160731....047/021014/015
28422160284....008/020	28422160510....036/012	28422160733....046/015	28422161021....013/027
28422160286....014/045	28422160514....036/013047/022	28422161022....013/018
28422160288....014/046	28422160516....036/014	28422160734....047/001	28422161024....013/017
28422160289....008/063	28422160518....036/021	28422160738....047/014	28422161025....013/022
28422160290....008/062	28422160522....042/001	28422160753....046/011014/009
28422160291....008/017	28422160533....042/003	28422160758....046/020	284221610....009/015
28422160292....008/061043/001	28422160760....046/022013/025
28422160295....008/018	28422160534....042/012	28422160762....046/023	014/008
28422160296....008/013	28422160537....042/009	28422160764....046/029	28422161027....013/028
28422160297....008/014044/010	28422160768....046/012	28422161028....013/015
28422160303....001/001	28422160539....042/005	28422160769....046/014	28422161029....013/002
28422160310....001/003	28422160541....042/011	28422160771....046/027	28422161030....013/007
28422160312....001/004	28422160543....042/010	28422160772....046/026	28422161033....013/004
28422160315....001/005	28422160547....042/002	28422160773....046/021	28422161034....013/006
28422160330....033/021	28422160548....042/006	28422160774....046/024	28422161039....013/008
28422160336....032/003	28422160550....042/007	28422160776....046/001	28422161212....034/002
28422160346....033/010043/016	28422160778....046/002	28422161213....034/003
28422160348....033/008044/004	28422160779....046/028	28422161214....034/004
28422160350....033/009	28422160577....044/002	28422160781....013/050	28422161215....034/005
28422160354....033/017	28422160584....044/005	28422160788....045/020	28422161216....034/006
28422160358....033/018	28422160587....044/006	28422160791....045/021	28422161217....034/001
28422160363....033/020	28422160588....044/007	28422160794....045/024	28422161218....034/012
28422160374....033/012	28422160591....044/008	28422160796....045/025	28422161239....038/010
28422160376....033/011	28422160594....044/011	28422160799....045/016	28422161248....039/001
28422160381....033/015	28422160610....043/059	28422160802....045/019	28422161253....039/005
28422160385....033/013	28422160611....043/064	28422160805....045/022	28422161255....039/002
28422160396....033/002	28422160613....043/006	28422160806....045/023	28422161257....039/003
28422160397....033/004	28422160617....043/008	28422160807....045/012	28422161260....039/004
28422160398....033/003	28422160619....043/007	28422160808....045/011	28422161286....048/001
28422160399....033/006	28422160620....043/020	28422160811....045/001	28422161304....048/010
28422160400....033/005	28422160621....043/009	28422160813....045/002	28422161306....048/005
28422160406....032/001	28422160622....043/021	28422160844....041/017	28422161308....048/011
28422160407....032/002	28422160623....043/010	28422160848....041/018	28422161313....048/009
28422160408....033/016	28422160624....043/066	28422160880....041/006	28422161316....048/013
28422160411....033/001	28422160627....043/003	28422160883....041/005	28422161320....021/051
28422160430....011/030	28422160628....043/060	28422160902....041/011	28422161321....048/002
28422160431....035/004	28422160631....043/002	28422160903....041/008	28422161322....021/035
28422160432....035/005	28422160637....043/004	28422160905....041/027061/010
28422160445....040/002	28422160645....043/005	28422160936....031/001	28422161323....021/036
28422160447....040/003	28422160662....035/007	28422160938....031/005061/011
28422160449....040/004	28422160665....035/008	28422160941....031/010	28422161324....021/037

28422161325....021/038	28422161660....054/018	28422161938....011/023	28422162146....020/019
....061/013	28422161661....054/019	28422161941....011/024	28422162147....018/001
28422161326....021/039	28422161671....057/004	28422161944....011/025	28422162149....018/005
....061/014	28422161691....032/004	28422161989....014/003	28422162151....018/002
28422161328....021/040	28422161700....032/005	28422161990....014/002	28422162152....019/021
28422161334....021/044	28422161713....032/019	28422161993....014/001	28422162154....018/004
28422161340....021/046	28422161721....012/001	28422161995....014/023	28422162157....018/003
28422161342....021/047	28422161727....012/002	28422161996....014/022	28422162158....018/029
28422161343....021/048	28422161732....012/003	28422161998....014/027	28422162159....018/034
28422161344....021/049	28422161736....012/004	28422161999....014/028	28422162162....018/009
....061/008	28422161737....012/005	28422162006....014/004	28422162165....018/008
28422161345....021/042	28422161738....012/006	28422162007....014/005	28422162167....018/007
28422161362....037/001	28422161742....012/017	28422162014....013/016	28422162170....018/006
28422161368....037/005	28422161755....012/007014/018	28422162171....017/005
28422161371....037/002	28422161760....012/008	28422162016....014/013	28422162172....017/009
28422161373....037/003	28422161761....012/009	28422162020....014/014	28422162174....019/011
28422161374....037/004	28422161780....009/001	28422162022....014/052	28422162179....019/013
28422161438....052A/033	28422161784....009/043	28422162024....014/043	28422162182....019/010
28422161443....052A/030	28422161788....009/030	28422162025....014/012	28422162185....019/009
28422161448....052A/035	28422161789....009/031	28422162052....016/001	28422162186....019/008
28422161453....052A/036	28422161790....009/033	28422162058....016/011	28422162188....019/002B
28422161454....052A/037	28422161791....009/034	28422162059....016/014	28422162191....019/002C
28422161456....052A/091	28422161792....009/024	28422162060....016/035	28422162194....019/002D
28422161460....052A/038	28422161793....009/023	28422162062....016/002	28422162197....019/002E
28422161464....052A/024	28422161796....009/005	28422162063....016/003	28422162200....019/003
28422161468....052A/032	28422161798....009/007	28422162064....016/018	28422162203....020/001
28422161476....052A/031	28422161800....009/003	28422162065....016/019	28422162207....020/002
28422161483....052A/013	28422161801....009/002	28422162068....016/004	28422162209....020/003
28422161484....052A/076	28422161806....009/008	28422162070....016/005	28422162212....020/006
28422161503....052A/022	28422161810....009/018	28422162072....016/006	28422162217....020/005
28422161504....052A/023	28422161811....009/017	28422162073....016/032	28422162218....020/004
28422161515....055/002	28422161812....009/029	28422162074....016/034	28422162219....017/019
28422161517....055/001	28422161813....009/021	28422162076....016/008	28422162233....015/001
28422161518....055/010	28422161814....009/019	28422162077....016/009	28422162234....015/002
28422161519....009/004	28422161817....009/037	28422162087....016/010	28422162239....015/009
....055/004	28422161819....009/022	28422162088....016/015	28422162241....015/004
28422161592....052A/040	28422161820....009/028	28422162089....016/012	28422162242....015/003
28422161593....052A/041	28422161827....009/009	28422162090....016/013	28422162243....015/005
28422161596....052A/043	28422161871....011/001	28422162097....016/016	28422162248....015/010
28422161597....052A/044	28422161879....011/002	28422162098....016/037	28422162260....021/001
28422161620....052A/025	28422161882....011/003	28422162112....017/001	28422162263....021/006
28422161622....052A/026	28422161885....011/004	28422162113....019/001	28422162269....021/007
28422161625....053/034	28422161888....011/005	28422162122....020/016	28422162272....021/010
28422161629....052A/012	28422161892....011/006	28422162126....020/015061/048
28422161641....051/007	28422161896....011/007	28422162128....019/004	28422162273....021/009
28422161642....051/008	28422161900....011/008	28422162131....019/007	28422162274....021/008
28422161643....054/001	28422161904....011/009	28422162134....019/006	28422162276....021/011
28422161644....054/002	28422161908....011/010	28422162135....017/002	28422162279....021/012
28422161645....052A/002	28422161911....011/028	28422162137....018/012	28422162280....021/027
28422161646....052A/004	28422161913....011/012	28422162140....017/004	28422162283....021/002
28422161647....054/020	28422161914....011/013018/010	28422162286....021/004
28422161648....051/005	28422161915....011/014020/021	28422162290....021/028
28422161649....052A/028	28422161916....011/015030/017	28422162292....022/001
28422161652....051/006	28422161917....011/021	28422162141....017/015	28422162297....022/004
28422161653....051/010	28422161919....011/018	28422162142....017/003	28422162298....022/010
28422161655....052/044	28422161920....011/022018/011	28422162301....022/031
....052A/057	28422161925....011/016	28422162143....019/012	28422162302....022/009
28422161656....052A/074	28422161934....011/020	28422162144....017/012	28422162303....022/005
28422161658....055/003	28422161935....011/019018/014023/013
28422161659....052A/094	28422161936....011/017020/020024/006

....025/013	28422162430....028/020	28422162674....015/015	28422163970....019/002H
....028/003	28422162431....023/024	28422162711....027/001	28422164003....076/019
28422162304....022/006018/013	28422162721....027/002	28422164004....076/002
....023/017	28422162432....023/025	28422162727....027/010	28422164005....076/001
....024/007024/010	28422162728....027/011	28422164462....052A/039
....025/017025/024	28422162736....027/012	28422164790....058/046
....028/004028/006	28422162742....027/003	28422164795....058/045
28422162307....022/007	28422162435....028/007	28422162756....027/006	28422164797....041/016
....023/014	28422162440....023/004	28422162762....028/010	28422164802....008/021
....024/008025/004	28422162766....027/004	28422164803....008/022
....025/014	28422162446....023/005	28422162768....027/018	28422164930....057/057
....028/002025/005	28422162769....027/007	28422164931....057/072
28422162310....022/032	28422162455....023/012	28422162770....027/005	28422165021....032/018
28422162314....022/016025/012	28422162773....028/008	28422165026....032/006
28422162315....022/017	28422162458....023/007	28422162775....029/016	28422165050....035/010
28422162316....022/015025/007	28422162776....027/008	28422165052....035/011
28422162321....022/013	28422162462....025/021	28422162777....027/013	28422165053....035/012
28422162325....022/012	28422162463....025/022	28422162778....029/013	28422165054....035/013
....033/048	28422162472....023/003	28422162786....028/001	28422165059....019/014
28422162327....022/014025/003	28422162789....028/021	28422165061....011/001A
28422162330....022/008	28422162481....023/028	28422162791....028/009	28422165062....011/020A
28422162335....022/002025/027	28422162801....029/001	28422165067....019/005
28422162336....022/011	28422162482....023/062	28422162808....029/004	28422165070....076/011
....023/023025/060030/003	28422165071....076/012
....025/023	28422162490....025/028	284221628....029/005	28422165082....075/002
28422162338....022/003	28422162531....023/000030/004	28422165086....075/003
28422162352....024/002	28422162542....023/034	28422162812....029/007	28422165087....075/004
28422162354....024/001	28422162545....023/035	28422162813....029/018	28422165090....075/005
28422162356....024/003	28422162547....023/032	28422162814....029/022	28422165100....011/048
28422162357....024/004	28422162550....023/031	28422162815....029/023	28422165101....011/037
28422162362....023/019	28422162555....024/019	28422162819....029/003	28422165101....036/007
....024/005	28422162562....023/021	28422162823....029/002	28422165110....003/001
....025/019	28422162563....023/022	28422162825....029/028	28422165116....003/082
....028/005	28422162570....023/029	28422162829....30	28422165118....003/016
28422162367....023/066	28422162572....023/030	28422162830....029/029	28422165120....003/022
....024/024025/029	28422162831....029/035	28422165121....003/023
....025/057071/064	28422162833....027/033	28422165122....003/024
28422162390....023/008	28422162573....023/001A	28422162861....030/001	28422165123....003/025
....025/008025/001	28422162862....030/002	28422165124....003/026
28422162395....023/009	28422162574....071/065	28422162872....030/007	28422165127....003/083
....025/009	28422162575....023/068	28422162876....030/006	28422165129....003/060
28422162398....023/010025/067	28422162878....030/009	28422165130....003/030
....025/010	28422162610....029/006	28422162879....030/010	28422165132....003/031
28422162406....023/011030/005	28422162880....030/011	28422165134....003/033
....025/011	28422162615....026/027	28422162880....030/011	28422165137....003/021
28422162410....023/006	28422162616....026/032	28422162890....030/013	28422165138....003/036
....025/006	28422162617....026/033	28422162892....030/015	28422165141....003/037
28422162416....023/016	28422162619....026/015	28422162893....030/016	28422165142....003/045
....024/023	28422162620....026/026	28422162901....030/018	28422165143....003/040
....025/016050/012	28422162902....030/019	28422165146....003/044
....045/003060/035	28422162903....030/040	28422165149....003/041
....060/017	28422162625....025/041	28422162904....030/039	28422165155....003/046
....070/005	28422162629....025/040	28422162934....027/017	28422165157....003/047
28422162417....023/065	28422162632....025/031	28422163346....021/041	28422165158....003/056
....025/063	28422162645....026/002	28422163941....019/002	28422165161....003/058
28422162420....024/028	28422162647....026/001	28422163945....019/002A	28422165162....003/061
....028/025	28422162650....026/004	28422163949....019/002G	28422165163....003/057
28422162423....023/033	28422162651....026/003	28422163957....019/003A	28422165167....003/042
....025/032	28422162652....026/005	28422163961....019/002F	28422165170....003/067
28422162424....025/030	28422162655....026/008	28422163965....021/003	28422165171....003/075

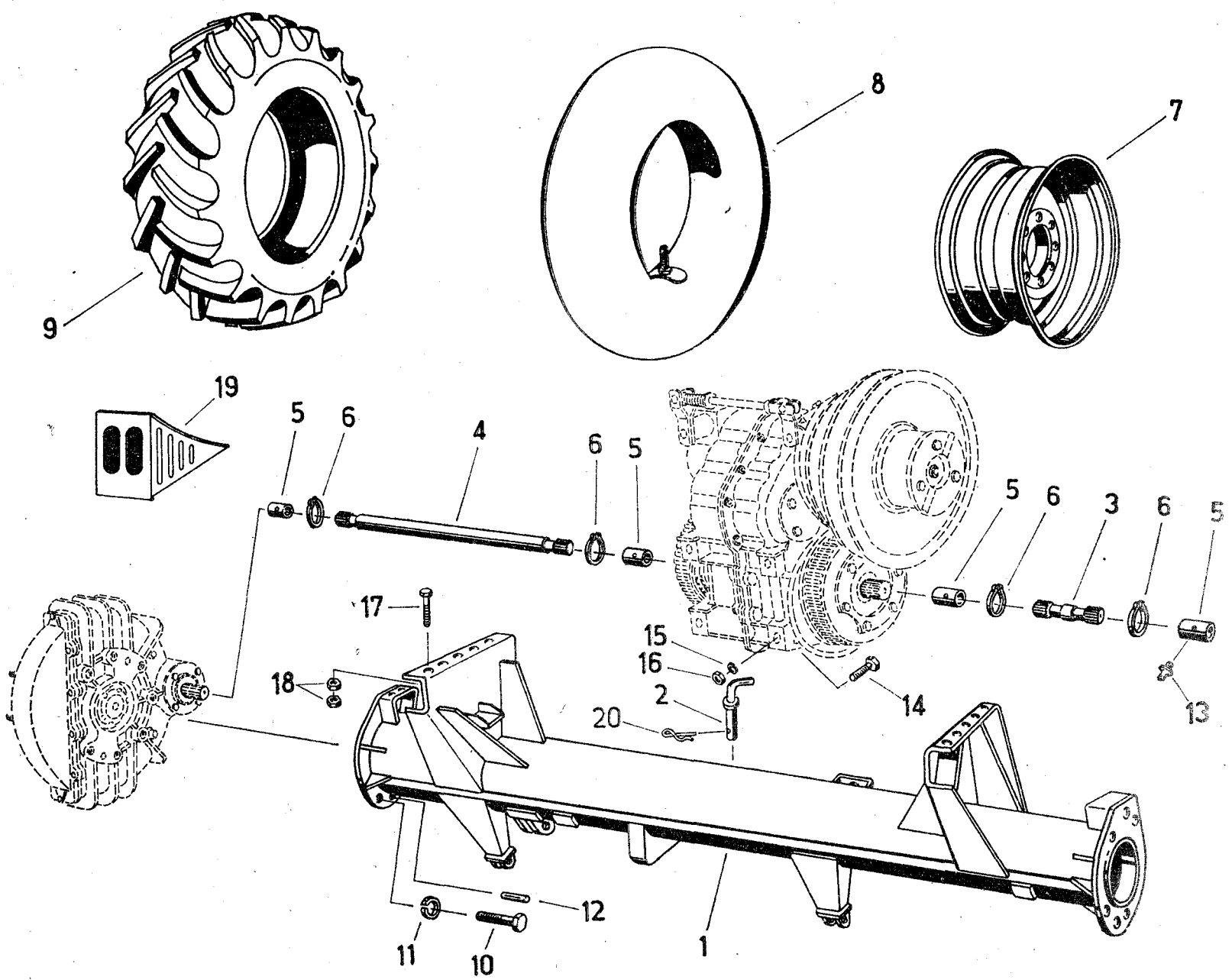
28422165172....003/053	28422165392....040/001061/002	28422363002....060/006
28422165173....003/087	28422165393....040/007	28422166818....013/041	28422363003....060/007
28422165175....003/079	28422165397....043/040	28422166824....057/031	28422363008....060/008
28422165177....003/078	28422165398....043/030	28422166825....057/030	28422363010....060/009
28422165180....003/084	28422165400....043/011	28422166836....030/041	28422363013....060/011
28422165181....003/085	28422165428....031/011	28422166837....030/042	28422363014....060/012
28422165182....003/086	28422165557....053/003	28422166838....027/022	28422363015....060/013
28422165185....003/002	28422165711....065/025	28422166894....008/054	28422363022....060/016
28422165190....003/003	28422165848....005/004	28422166895....008/055	28422363024....060/068
28422165192....003/004	28422165850....003/105	28422166896....008/057	28422363025....060/015
28422165194....003/099	28422165851....003/111	28422166901....021/056	28422363043....060/022
28422165196....003/100	28422165852....007/013	28422166902....021/057	28422363048....060/026
28422165197....003/106	28422165853....007/006	28422166905....021/061	28422363053....060/028
28422165198....003/107	28422165854....007/001	28422166911....029/037	28422363060....060/032
28422165202....003/005	28422165855....007/017	28422166914....030/001A	28422363062....060/033
....004/001	28422165856....007/031	28422166915....030/002A	28422363062....060/033
28422165203....004/002	28422165857....007/008	28422166929....052A/029	28422363064....060/021
28422165206....004/019	28422165858....007/003	28422166930....021/058	28422363101....058/009
28422165207....004/020	28422165859....007/028	28422167049....003/002A	28422363103....058/031
28422165208....004/021	28422165860....007/002	28422167056....021/005	28422363105....059/001
28422165211....004/003	28422165861....007/021	28422167064....003/001A	28422363107....059/002
28422165212....004/004	28422165863....007/034	28422167086....052A/050	28422363109....059/006
28422165213....004/005	28422165864....007/032	28422167087....052A/010	28422363112....059/003
28422165214....004/006	28422165866....007/004	28422167088....052A/009	28422363120....059/007
28422165215....004/017	28422165867....007/029	28422167089....052A/006	28422363122....059/009
28422165216....004/018	28422165868....007/005	28422167246....043/070	28422363124....059/008
28422165217....004/007	28422165869....007/037	28422167247....043/055	28422363126....059/010
28422165218....004/022	28422165870....007/016	28422167247....043/055	28422363127....059/011
28422165219....004/008	28422165871....007/007	28422167248....043/053	28422363131....059/012
28422165220....004/009	28422165872....007/038	28422167249....043/041	28422363135....059/013
28422165222....004/010	28422165873....007/014	28422167251....042/004	28422363136....059/045
28422165223....004/011	28422165874....007/012043/013	28422363140....058/039
28422165226....005/020	28422165875....007/036	28422167256....043/035	28422363141....058/040
28422165242....005/009	28422165876....007/030	28422167257....043/034	28422363144....059/015
28422165247....005/007	28422165877....007/026	28422167258....043/033	28422363152....059/004
28422165250....043/050	28422165878....007/009	28422167259....043/032	28422363153....059/016
28422165257....005/008	28422165879....007/027	28422167260....043/031	28422363157....059/018
28422165258....005/019	28422165880....007/035	28422167261....043/052	28422363131....058/010
28422165267....005/012	28422165887....067/031	28422167262....043/036	28422363171....058/014
28422165268....003/118	28422165888....005/002	28422167263....043/044	28422363173....058/014B
28422165270....003/006	28422165889....007/015	28422167264....043/045	28422363176....058/013
28422165274....003/012	28422165903....073/006	28422167268....043/049	28422363177....058/015
28422165275....003/009	28422165904....073/007	28422167270....043/047	28422363180....058/020
28422165276....003/008	28422165905....073/040	28422167271....043/042	28422363181....058/020A
28422165278....003/094	28422165918....073/008	28422167272....043/043	28422363182....058/020B
28422165283....003/007	28422165920....074/008	28422167273....043/058	28422363191....058/027
28422165284....003/014	28422165922....073/018	28422167274....043/048	28422363197....058/019
28422165291....002/001	28422165923....075/008	28422167444....055/018A	28422363200....058/021
28422165292....002/002	28422166533....073/039	28422167445....055/020A	28422363204....058/022
28422165294....002/007	28422166534....073/038	28422167512....008/030	28422363209....058/033
28422165299....002/020	28422166535....073/028	28422169194....011/029	28422363210....058/061
28422165300....002/007	28422166536....073/043	28422262951....058/001	28422363214....058/034
28422165303....002/013	28422166537....073/046	28422263154....059/017	28422363217....058/032
28422165305....002/014	28422166640....074A/003	28422263166....058/012	28422363252....062/001
28422165308....002/009	28422166799....023/002	28422263192....058/028	28422363259....062/002
28422165309....002/012025/002	28422263193....058/026	28422363265....063/001
28422165310....002/003	28422166800....023/067	28422362964....059/019	28422363268....063/003
28422165311....002/030025/066	28422362983....060/001	28422363277....063/002
28422165312....002/034	28422166816....009/041	28422362987....060/002	28422363282....062/006
28422165313....002/035	28422166817....021/055	28422362998....060/005	28422363283....063/004

28422363284....062/024A	28422363994....072/032	28422463560....060/009A	28422864172....068/010
28422363285....062/029	28422363997....072/035	28422463641....058/009A	28422864175....068/013
28422363286....062/024	28422363998....076/018	28422463643....058/031A	28422864178....068/014
28422363289....062/008	28422364511....066/027	28422463645....059/001A	28422864180....071/045
28422363291....062/007	28422364514....066/028	28422463662....058/010A	28422864185....067/001
28422363293....063/005	28422364518....066/026	28422463675....058/032A	28422864186....071/070
28422363295....062/045	28422364541....066/007	28422463762....062/001A	28422864200....068/003
28422363296....062/005	28422364544....066/008	28422463766....063/006A	28422864202....067/028
28422363297....063/006	28422364546....066/009	28422463771....063/007A	28422864206....067/029
28422363301....063/007	28422364548....066/010	28422463775....065/021A	28422864245....067/003
28422363303....063/008	28422364551....066/011	28422463779....065/020A	28422864276....071/048
28422363305....063/012	28422364555....066/012	28422463858....061/026A	28422864280....071/047
28422363307....063/013	28422364558....066/013	28422463922....059/048A	28422864697....069/030
28422363309....063/010	28422364562....066/014	28422463931....058/047A069/030A
28422363312....063/011	28422364566....066/015	28422464002....072/001A069/030B
28422363314....063/009	28422364568....066/016	28422464403....071/057	28422864699....069/001
28422363316....063/018	28422364570....066/017	28422464406....071/059069/001A
28422363318....063/019	28422364572....066/018	28422464409....071/058069/001B
28422363320....063/017	28422364573....066/019	28422464942....062/009A	28422864730....069/024
28422363323....063/014	28422364574....066/020	28422464945....062/010A	28422864732....069/027
28422363326....063/015	28422364577....066/021	28422666874....049/048	28422864735....069/025
28422363331....063/020	28422364580....066/022	28422666875....049/046	28422864760....069/028
28422363332....063/028	28422364583....066/023	28422666887....049/050	28422864762....069/029
28422363334....063/021	28422364584....066/024	28422860433....035/034	28422864827....062/022
28422363340....063/022	28422364592....066/038	28422860434....035/035064/017
28422363341....063/023	28422364601....066/005	28422860435....035/036	28422864830....062/025
28422363345....065/021	28422364604....066/004	28422860436....035/037064/011
28422363349....065/020	28422364606....066/033	28422860437....035/038	28422865066....010/053
28422363353....065/028	28422364608....066/002	28422860438....035/039	28422865321....010/001
28422363358....065/022	28422364614....066/003	28422863963....010/056	28422865323....010/002
28422363373....061/051	28422364621....066/001	28422864035....071/039	28422865326....010/003
28422363382....061/001	28422364661....063/046	28422864036....071/026	28422865327....010/004
28422363386....061/024	28422364665....063/047	28422864045....071/025	28422865330....010/005
28422363388....061/026	28422364741....070/018	28422864050....071/002	28422865331....010/006
28422363391....061/012	28422364743....070/019	28422864053....071/003	28422865332....010/007
28422363394....061/005	28422364825....062/021	28422864057....071/003A	28422865333....010/008
28422363397....061/006	28422364837....064/001	28422864060....071/006	28422865334....010/009
28422363400....061/004	28422364846....064/003	28422864061....071/060	28422865337....010/010
28422363405....061/049	28422364847....064/004	28422864065....071/061	28422865338....010/011
28422363407....061/046	28422364854....064/005	28422864070....071/010	28422865339....010/012
28422363409....061/047	28422364856....064/010	28422864074....071/001	28422865342....010/013
28422363414....061/039	28422364861....064/012	28422864075....071/011	28422865343....010/014
28422363417....061/042	28422364867....062/011	28422864077....071/011A	28422865346....010/015
28422363419....061/050		28422864080....071/012	28422865349....010/017
28422363420....061/009	28422364872....062/009	28422864084....071/008	28422865351....010/018
28422363461....058/043	28422364875....062/010	28422864087....071/009	28422865354....010/019
28422363470....062/044	28422364878....062/012	28422864088....071/024	28422865355....010/020
28422363473....059/048	28422364881....062/014	28422864096....071/040	28422865356....010/021
28422363474....058/042	28422364884....062/017	28422864100....071/043	28422865982....069/015
28422363476....058/041	28422364887....062/020	28422864104....071/042069/015A
28422363494....058/047	28422364890....062/013	28422864108....071/044069/015B
28422363972....072/001	28422364893....062/015	28422864111....071/028	28422866080....069/002
28422363973....072/042	28422364898....062/019	28422864114....071/030	28422866095....070/001
28422363976....072/019	28422364900....062/018	28422864117....071/027	28422866100....070/002
28422363983....072/027	28422364903....062/016	28422864119....071/029	28422866110....070/003
28422363985....072/028064/006	28422864122....071/013	28422866112....070/007
28422363988....072/029	28422365730....072/014	28422864160....068/012	28422866125....070/010
28422363990....072/031	28422463521....058/001A	28422864162....068/011	28422866131....070/011
28422363991....072/030	28422463558....060/001A	28422864164....068/015	28422866151....070/020
28422363992....072/025	28422463559....060/008A	28422864168....068/009	28422866160....069/003

....069/003A	28422867172....052/038	28424003529....030/052	28901987383....072/061
....069/003A	28422867173....052/042	28424003536....003/089	28901987389....057/013
284228661....069/007	28422867174....052/017	28424003537....003/072	28901987405....057/042
....069/007A	28422867175....052/013	28424003668....073/035072/038
....069/007B	28422867176....052/012	28424003767....052/020	28901987418....074/014
28422866166....069/008	28422867178....030/045	28424003768....052/021	28901987427....057/006
....069/008A	28422867179....030/046	28424003777....074/049	28901987442....057/041
....069/008B	28422867180....030/047	28424003937....074A/029	28901987463....057/007
28422866170....069/013	28422867181....030/048	28424004013....032/026	28901987474....057/015
....069/013A	28422867182....030/049	28424004152....060/014	28901987475....043/056
....069/013B	28422867183....030/036	28424004436....074/007	28901987479....057/069
28422866220....069/016	28422867184....027/035	28424004614....054/012	28901987480....057/071
....069/016A033/037	28424005473....056/002	28901987487....057/003
....069/016B	28422867185....052/041	28424102149....052/033	28901987510....057/033
28422866226....069/017	28422867186....052/039	28424103251....060/018	28901987511....057/032
....069/017A	28422867187....052/002	28424103252....060/019	28901987512....074/015
....069/017B	28422867188....052/029	28424103253....060/020	28901987525....043/068
28422866230....069/018	28422867189....052/030	28424703362....032/025	28901987551....057/024
....069/018A	28422867190....052/001	28424704098....027/021	28901987576....073/036
....069/018B	28422967152....063/052	28425012482....005/014	28901987584....057/037
28422866238....069/019	28422967153....063/053	28425012504....003/020	28901987594....057/038
....069/019A	28422967161....072/060	28425012505....003/117	28901987595....057/038A
....069/019B	28424002501....074A/006	28425012511....005/005	28901987596....057/038B
28422866239....069/020	28424002607....074A/001	28425012512....005/006	28901987600....074A/011
....069/020A	28424002608....074A/005	28425013199....053/032	28901987605....057/078
....069/02B	28424002621....057/083	28425013218....051/019	28901987628....057/020
28422866240....069/021074/053	28425212386....063/051A072/040
....069/021A	28424002622....057/082	28425212416....060/004	28901987630....057/021
....069/021B	28424002661....056/001A	28425213136....065/015	28901987632....074/016
28422866505....073/003	28424002803....074/051	28425312422....063/051	28901987638....057/018
28422866506....073/004	28424002913....030/050	28430422930....067/030	28901987640....057/019
28422866507....073/005	28424002995....054/004	28431324646....030/053057/048
28422866520....073/024	28424002996....054/009	28480249580....072/002072/039
28422866522....073/029	28424003013....054/007	28480249582....072/003	28901987649....057/061
28422866525....073/030	28424003023....052/024	28480249583....031/021	28901987660....074A/014
28422866527....073/031	28424003031....054/006072/004	28901987661....074A/013
28422866530....073/032	28424003064....052A/095	28480550122....002/004	28901987671....057/016
28422866531....073/033	28424003087....052/026	28480649336....067/019	28901987720....057/044A
28422866532....073/034	28424003092....054/005	28480649337....068/008	28901987721....057/044
28422866562....073A/004	28424003200....074A/0311	28480649338....068/002	28901987732....073/051
28422866570....073/006	28424003201....074/050	28480649339....067/005	28901987744....074A/012
28422866595....073A/007	28424003212....074/040	28480649340....067/007	28901987748....057/066
28422866599....073/001	28424003213....074/041	28480649344....067/004	28901987749....057/067
28422866600....073/041	28424003214....074/042	28480649346....067/014	28901987780....057/060
28422866601....073/042	28424003215....074/043	28480649347....067/015	28901987789....057/054
28422866602....073/044	28424003216....074/044	28480649348....067/020	28901987790....057/035
28422866603....073/047	28424003217....074/045	28480649350....067/021	28901987791....057/073
28422866604....073/048	28424003218....074/046	28480649359....068/007	28901987794....057/034
28422866612....073/002	28424003219....074/047	28480649366....068/006	28901987800....057/014
28422866614....073/014	28424003220....074/048	28480649370....067/008072/041
28422866615....073/015	28424003227....074/011	28480649377....068/004	28901987841....057/029
28422866625....073/017	28424003326....074/001	28480649378....068/005	28901988336....057/046
28422866626....073/009	28424003349....074/012	28900490193....057/023	28902087841....007/023
28422866635....074A/008	28424003350....074/013	28901790389....031/033013/048
28422866636....073/052	28424003351....074/010072/013	28990388665....003/050
28422866639....074/009	28424003352....074/002	28901790391....001/007	28990388666....010/026
28422866641....074/038	28424003353....074/003	28901987363....057/036B	28990388676....052A/052
28422866643....060/074	28424003354....074/004	28901987365....057/036A	28990394885....014/016
28422867170....052/010	28424003355....074/005	28901987366....057/036	28990486893....046/007
28422867171....052/043	28424003527....030/051	28901987382....057/043049/059

28990486894....045/004	28990895231....052A/034	28992686846....065/002	28996595558....014/031
28990486895....070/009052A/093	28992990226....072/011	28996595579....003/059
28990486896....069/048	28990895232....052A/027	28992990227....002/021	28996595584....003/013
....070/013	28990995236....052A/054	28992990252....031/022	28996595591....036/031
2899048689....060/038	28990995237....065/030	28994983347....047/035067/024
....067/022	28991088200....003/043	28994986284....052/010	28996595595....003/038
28990486900....026/013	28991088729....071/041	28994986307....036/035	28996595609....003/095
28990486906....064/009	28991091180....065/009043/017042/025
28990487311....060/039	28991091186....051/029044/020044/014
28990587010....067/002	28991091204....050/024046/017045/026
28990587018....059/026	28991091215....014/021049/004046/025
28990587025....071/017	28991091216....014/017	28994986311....035/014047/038
28990587050....060/042	28991095190....057/074044/003062/027
28990587057....059/023	28991095192....052/025	28994986315....042/017	28996595610....060/062
28990587077....005/013	28991186126....037/007	28994986320....044/015	28996595612....023/026
28990587079....002/005	28991186149....020/027	28994986324....036/038024/012
28990587115....059/028	28991186150....016/030	28994986325....035/003028/019
28990587128....003/103	28991286217....065/001A	28994986344....035/031067/010
28990587163....003/032	28991286221....051/014	28994986350....040/012	28996595613....021/016
28990587166....031/018	28991288621....065/018	28994986351....047/032023/027
....072/005	28991288623....065/018A	28994986363....069/037025/025
28990587200....010/050	28991295245....054/013069/037A	28996595617....061/043
28990587235....010/049	28991295753....055/016A069/037B	28996595621....050/027
28990587244....002/016	28991295758....055/016	28994986397....052/022060/041
28990790753....056/011	28991386252....037/006	28994986415....030/057060/044
28990790758....065/011	28991386255....057/045	28994986458....061/027	28996595623....025/026
28990791325....065/016	28991790575....023/060	28994986505....072/023	28996595640....029/014
28990791344....051/025025/058	28994986510....051/009	28996595643....067/009
28990791357....003/052049/041	28995190248....031/023	28996595648....063/029
....010/052	28991790617....039/019072/012	28996595650....059/033
28990791373....065/006	28991790618....039/012	28995190260....002/032	28996595651....060/040
28990791388....056/013	28991790646....024/026	28995289877....052A/053	28996595671....013/035
28990791389....056/006028/024	28995995351....053/001	28996595672....009/010
28990791398....022/033	28991790657....071/050A	28996191254....052A/017014/038
....023/064	28991790676....061/003	28996191255....052A/019	28996595692....014/037
....024/025	28991790678....050/028	28996191743....010/048	28996988321....052/007
....025/062	28991790727....071/050	28996291811....065/012	28996988322....036/022
....028/022	28991988539....071/071	28996291812....056/017042/016
28990791422....055/023	28991988543....071/004	28996291813....051/023044/012
28990791449....054/003	28991988565....025/046	28996291817....010/045046/013
28990791474....053/023	28991988566....025/042	28996292360....059/036	28996988324....047/017
28990791480....053/033	28991988570....048/012	28996292364....004/013	28996994516....041/028
28990791500....013/031	28991988588....049/057	28996292370....009/035	28996994520....013/019
28990791506....053/024	28991988589....049/049014/044	28996994523....052/005
28990791525....053/025	28991988611....061/031	28996292372....008/060052A/096
28990791538....013/030	28991988512....059/051041/004	28996994536....052A/086
28990791544....003/104	28992392482....052A/077	28996292379....059/031065/026
28990791558....051/027	28992392484....052A/067	28996292382....010/046	28996994538....041/012
28990791571....013/012	28992392485....052A/087	28996292385....015/017	28996994539....052A/021
....014/035	28992392525....026/006	28996392358....010/016	28996994548....052A/015
28990791582....013/043057/022A	28996595521....016/029	28996994558....054/015
28990791587....056/003	28992686680....049/058	28996595522....071/021	28996994567....054/017
28990791589....009/027	28992686733....009/020	28996595529....029/017055/032
28990791619....031/004014/041	28996595530....020/010	28996994568....055/030
28990791632....031/006	28992686770....041/007	28996595531....020/017	28996994581....052/027
28990895124....065/024	28992686782....046/032	28996595538....050/025	28996994657....043/029
28990895135....052A/001	28992686783....047/002	28996595540....013/036	28996994674....052A/047
28990895155....052A/046	28992686805....071/005	28996595546....059/032065/029
28990895179....052/032	28992686831....013/005	28996595548....009/040	28996994675....052A/088
28990895227....052A/084	28992686834....045/008	28996595556....014/032065/023

28996994676....052/040	28997488084....057/040
28996994679....052A/055	28997488088....040/021
28996994680....052/031	28997488088....040/021
28996994695....052A/085	28997488092....012/010
28996994712....052A/071	28997488095....036/040
28996994716....052A/048042/014
28996994721....054/023043/012
28996994722....052A/003046/010
28997090806....007/011	28997488096....042/015
28997090808....003/074	28997488097....042/015
28997090810....002/023046/008
28997090811....010/037	289974881....047/026
28997090823....013/045	28997488115....069/031
....043/071069/031A
28997090835....053/005069/031B
28997090851....052A/014	28997588166....071/032
....065/027	289975880168....063/024
28997090855....052/028	
28997090860....052A/020	
28997090869....041/015	
....054/016	
....055/033	
28997090881....003/113	
28997090900....052/006	
....052A/011	
....053/039	
28997090902....052A/018	
28997090917....055/031	
28997090918....043/046	
28997090921....002/027	
28997090922....003/064	
....010/023	
28997090933....053/014	
28997090946....054/014	
28997090982....003/077	
28997287693....074/054	
28997287705....074/023	
28997287934....033/041	
28997288144....074A/017	
28997289350....041/002	
28997294785....040/005	
28997387965....030/035	
....074/021	
28997387967....074A/016	
28997387970....035/024	
28997387973....049/005	
28997387974....071/031	
28997387980....063/025	
28997388003....003/088	
....053/009	
28997388027....053/018	
28997388028....010/025	
28997388030..../051	
28997388036....046/016	
28997388038....061/037	
28997388040....047/023	
28997388041....026/009	
28997388044....030/056	
28997388047....044/017	
28997488075....074/020	



TABULKA 001

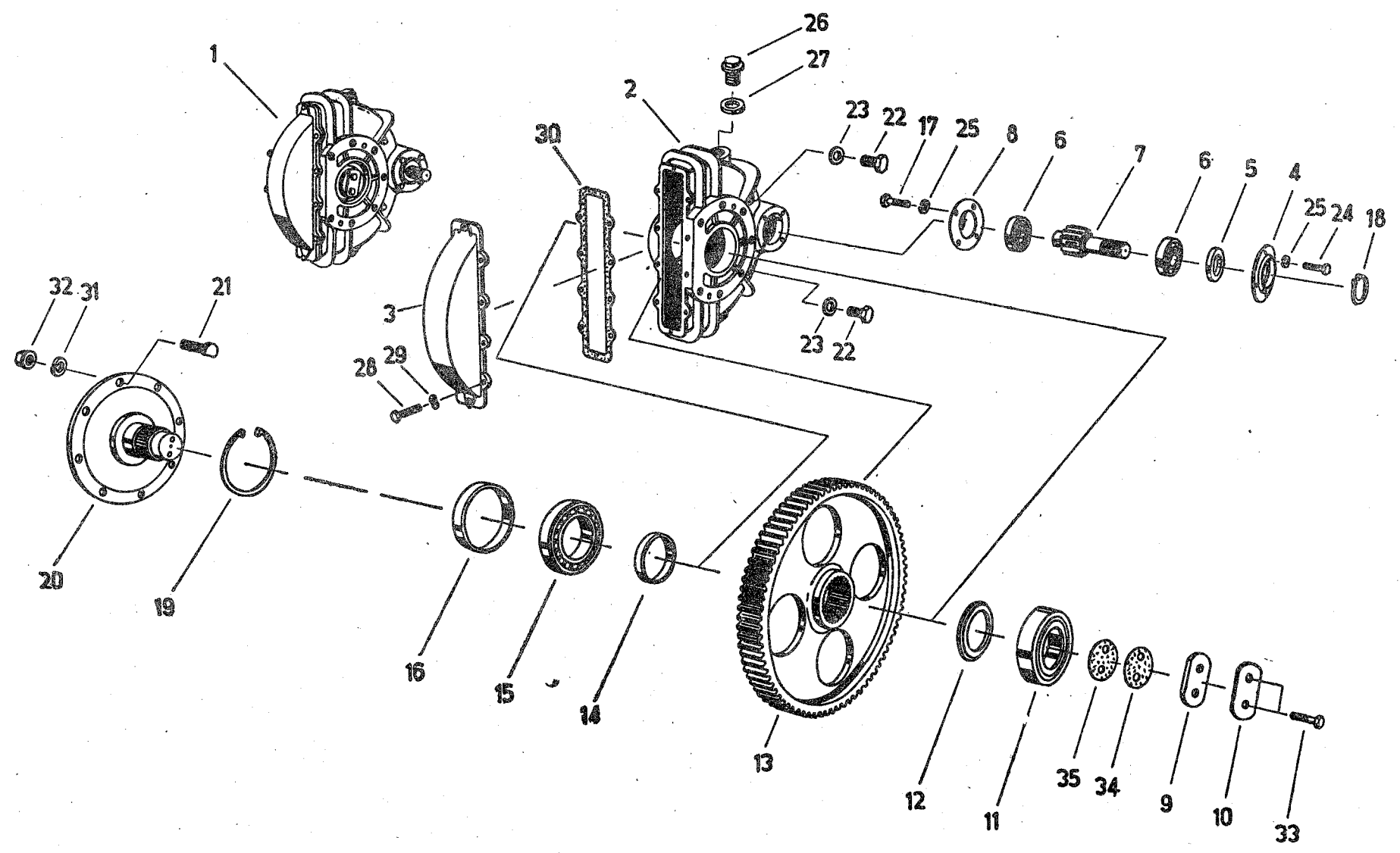
STROJ: 4 3 332

SKLÍZECÍ MLÁTIČKA

E-512

TABULKA: 001

Čís. poz.	Roč.	Katalogové číslo	Obchodní číslo zboží	KZ	Název zboží	Kusy	Provedení
1	83	4221603037	28 4221 60303 0	8	Osa	001	
2	83	9928939642	N		Závlačka 30 × 125 TGL 3315310	001	
3	83	4221603100	28 4221 60310 0	9	Hřidel	001	
4	83	4221603125	28 4221 60312 0	7	Hřidel	004	
5	83	4221603158	28 4221 60315 0	4	Objímka	004	
6	83	9964917264	N		Pojistný kroužek 40 TGL 0471	002	
7	83	9017903915	28 9017 90391 0	7	Diskové kolo DW 16 × 30 G58	002	
8	83	4223657337	N		Duše 15-30	002	
10	83	9935933566	N		Šroub M20 × 1, 5 × 40 TGL 096188	014	
11	83	9961911583	N		Pružná podložka B 20 TGL 7403GZN	014	
12	83	9967939853	N		Zalícovaný kolík 16 × 40 TGL 7410	004	
13	83	9920925507	N		Kuželová maznička A8TGL071412	004	
14	83	9932933214	N		Šroub M16 × 55 TGL093188GZNC	004	
15	83	9961911462	N		Pružná podložka B16TGL7403GZNC	004	
16	83	9950896841	N		Matice M16 TGL09346GZN	004	
17	83	9934933286	N		Šroub M16 × 1,5 × 75 TGL096088	004	
18	83	9950897393	N		Matice M16 × 1,5 TGL09346GZN	020	
19	83	N	N		Podložný klín 601 TGL9621	002	
20	83	9928939208	N		Pružná závlačka 15 TGL3316121	001	



TABULKA 002

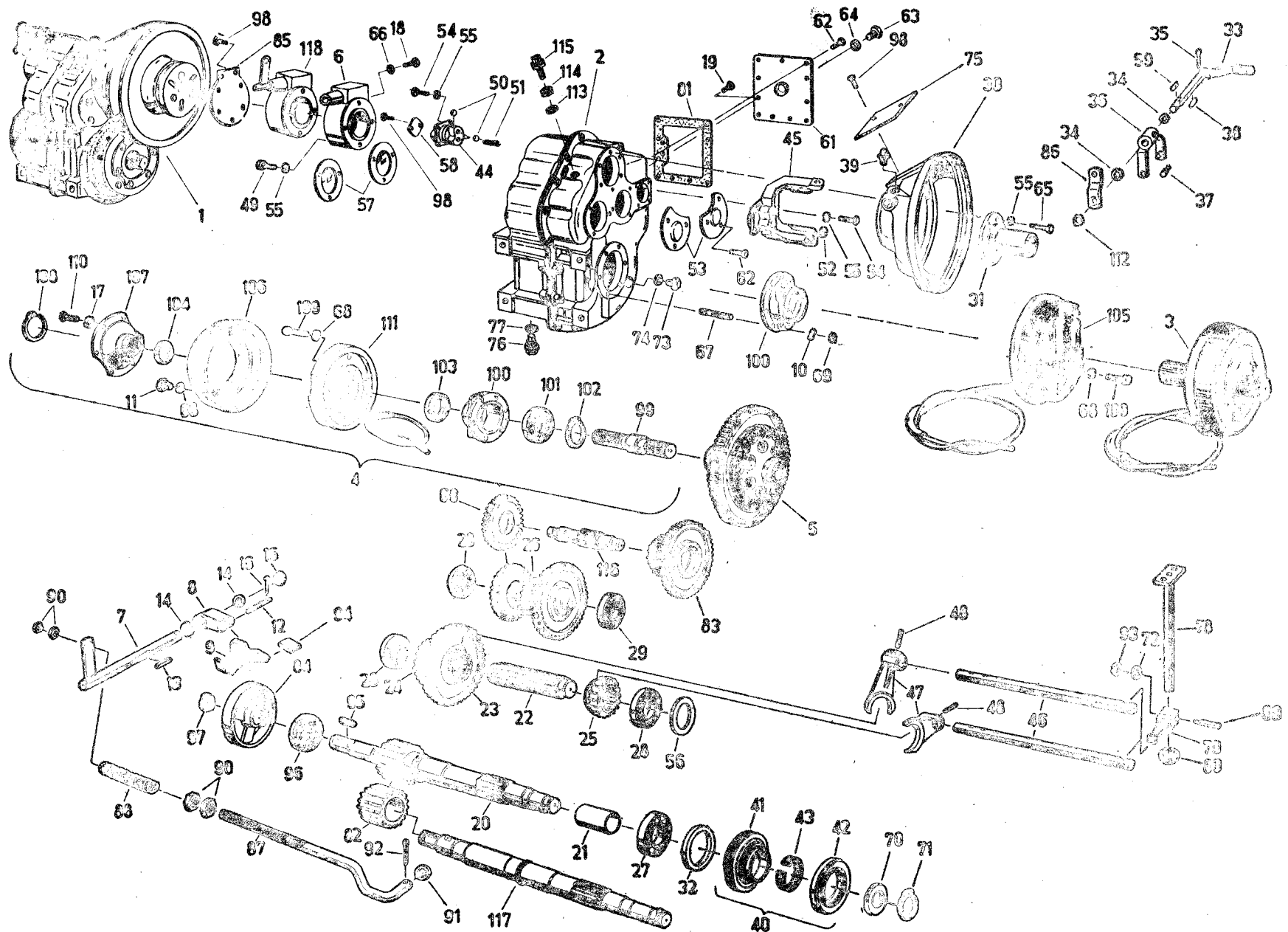
STROJ: 4 3 332

SKLÍZECÍ MLÁTIČKA

E-512

TABULKA: 002

Čís. poz.	Roč.	Katalogové číslo	Obchodní číslo zboží	KZ	Název zboží	Kusy	Provedení
1	83	4221652912	28 4221 65291 0	3	Čelní ozubený převod	002	
2	83	4221652920	28 4221 65292 0	2	Skříň	001	
3	83	4221653101	28 4221 65310 0	9	Víko skříně	001	
4	83	4805501227	28 4805 50122 0	0	Víko	001	
5	83	9905870798	28 9905 87079 0	0	Gufero D 40 × 72 × 10	001	
6	83	9902890915	10 7063 08000 0	4	Kuličkové ložisko 6308	002	
7	83	4221652945	28 4221 65294 0	0	Hřídel	001	
8	83	4221653005	28 4221 65300 0	1	Víko	001	
9	83	4221653087	28 4221 65308 0	3	Podložka	001	
10	83	4032810417	28 4032 81041 0	2	Pojistná podložka	001	
11	83	9902892388	10 7422 14300 0	6	Válečkové ložisko NUP2214	001	
12	83	4221653095	28 4221 65309 0	2	Rozpěrný kroužek	001	
13	83	4221653038	28 4221 65303 0	8	Čelní kolo s přímými zuby 79Z	001	
14	83	4221653054	28 4221 65305 0	6	Pouzdro	001	
15	83	9902889778	10 7222 21800 0	0	Válečkové ložisko 22218	001	
16	83	9905872445	28 9905 87244 0	9	Gufero D120 × 160 × 12	001	
17	83	9933933898	N		Šroub M10 × 16 TGL 093348	004	
18	83	9964917264	N		Pojistný kroužek 40 TGL0471	001	
19	83	9964917906	N		Pojistný kroužek 160 TGL0472	001	
20	83	4221652994	28 4221 65299 0	5	Přirubový čep	001	
21	83	9929902277	28 9929 90227 0	3	Čep kola AM20 × 1,5 × 50 TGL22251	016	
22	83	9935931636	N		Šroub M10 × 1 × 20 TGL096188	002	
23	83	9970908103	28 9970 90810 0	9	Těs. kroužek A10 × 16 TGL07603VF	002	
24	83	9933933873	N		Šroub M10 × 20 TGL093348	004	
25	83	9961911085	N		Pružná podložka B10 TGL7403	008	
26	83	9946937085	N		Zav. šroub M26 × 1,5 TGL076045	002	
27	83	9970909217	28 9970 90921 0	5	Těs. kroužek A26 × 32 TGL07603VF	002	
28	83	9933959095	N		Šroub M8 × 25 TGL093348	010	
29	83	9961920061	N		Pružná podložka 8 TGL0137GZN	010	
30	83	4221653118	28 4221 65311 0	8	Těsnění	001	
31	83	9961912375	N		Pružná podložka 20 TGL22306	016	
32	83	9951902607	28 9951 90260 0	5	Matice kola CM20 × 1,5 TGL222526	016	
33	83	9933957807	N		Šroub M12 × 30 TGL0933109	002	
34	83	4221653126	28 4221 65312 0	7	Licovaná podložka 0,5 mm	000	
35	83	4221653134	28 4221 65313 0	6	Licovaná podložka 0,2 mm	000	



TABULKA 3

TABULKA 003

STROJ: 4 3 332

SKLÍZEČÍ MLÁTIČKA

E-512

TABULKA: 003

Čís. poz.	Roč.	Katalogové číslo	Obchodní číslo zboží	KZ	Název zboží	Kusy	Provedení
1	83	4221651108	28 4221 65110 0	1	Převod kompletní	001	
1A	83	4221670641	28 4221 67064 0	4	Převodovka s čelním ozub. kolem	001	
2	83	4221651856	28 4221 65185 0	2	Převodová skříň	001	
2A	83	42216710498	28 4221 67049 0	3	Převodová skříň	001	
3	83	4221651903	28 4221 65190 0	5	Brzda pravá	001	
4	83	4221651928	28 4221 65192 0	3	Brzda levá	001	
5	83	4221652020	28 4221 65202 0	0	Diferenciál	001	
6	83	4221652703	28 4221 65270 0	8	Těleso	001	
7	83	4221652832	28 4221 65283 0	3	Vodící tyč	001	
8	83	4221652760	28 4221 65276 0	2	Vačka	001	
9	83	4221652752	28 4221 65275 0	3	Brzdový špalík	001	
10	83	9961920020	N		Pružná podložka 12 TGL0137	001	
11	83	9933958808	N		Šroub M12 × 16 TGL093348	002	
12	83	4221652744	28 4221 65274 0	4	Čep	001	
13	83	9965955847	28 9965 95584 0	5	Hranolové pero A5 × 5 × 20 TGL9500	001	
14	83	9960922337	N		Podložka 17 TGL17774ST	002	
15	83	9964917143	N		Pojistný kroužek 16 TGL0471	001	
16	83	9963949360	N		Závlačka 2 × 16 TGL094STGCD	002	
17	83	9961911085	N		Pružná podložka B10 TGL7403GZN	012	
18	83	9933959825	N		Šroub M8 × 30 TGL093348	001	
19	83	9933958012	N		Šroub M8 × 16 TGL09334.8	001	
20	83	4250125044	28 4250.12504 0	5	Hřídel s přímými zuby 18Z	001	
21	83	4221651374	28 4221 65137 0	0	Pouzdro	001	
22	83	4221651204	28 4221 65120 0	9	Hřídel	001	
23	83	4221651212	28 4221 65121 0	8	Přímozubé čelní kolo 43Z	001	
24	83	4221651220	28 4221 65122 0	0	Přímozubé čelní kolo 30Z	001	
25	83	4221651237	28 4221 65123 0	6	Přímozubé čelní kolo 18Z	001	
26	83	4221651245	28 4221 65124 0	5	Hřídel s čelním kolem	001	
27	83	9902890997	10 7063 11000 0	7	Kuličkové ložisko 6311 C3	001	
28	83	9902890521	10 7062 08000 0	6	Kuličkové ložisko 6208	003	
29	83	9902890907	10 7063 07000 0	6	Kuličkové ložisko 6307	001	
30	83	4221651300	28 4221 65130 0	7	Kryt spojky	001	
31	83	4221651325	28 4221 65132 0	5	Pouzdro	001	
32	83	9905871637	28 9905 87163 0	7	Gufero D55 × 72 × 10	001	
33	83	4221651341	28 4221 65134 0	3	Vodící tyč	001	
34	83	9960922546	N		Podložka 21 TGL8328GZN	002	
35	83	9963950040	N		Závlačka 4 × 32 TGL094ST	001	

STROJ: 4 3 332

SKLÍZECÍ MLÁTIČKA

E-512

TABULKA: 003

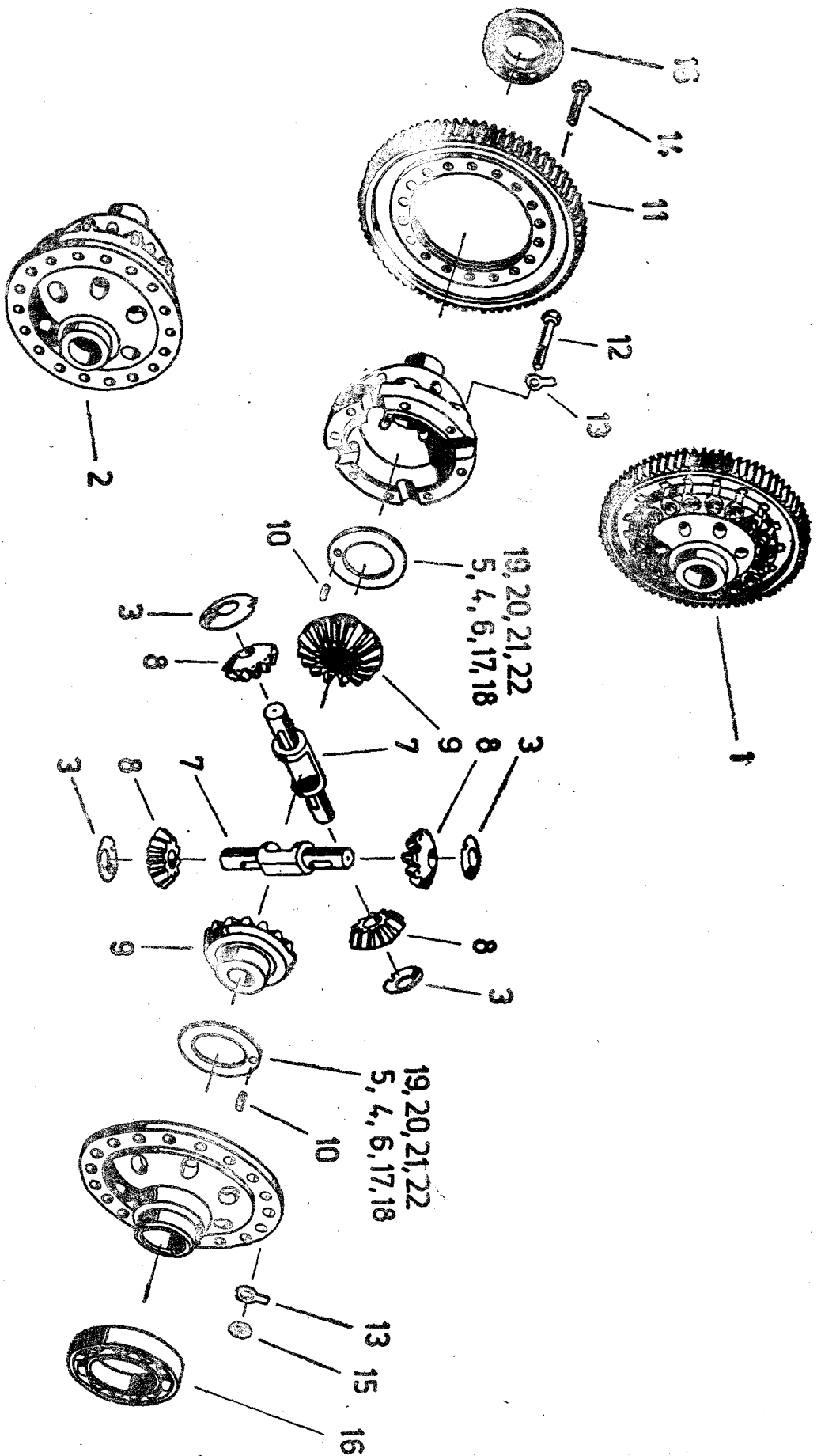
Čís. poz.	Roč.	Katalogové číslo	Obchodní číslo zboží	KZ	Název zboží	Kusy	Provedení
36	83	4221651382	28 4221 65138 0	9	Zasouvací vidlice	001	
37	83	4221651413	28 4221 65141 0	4	Čep	002	
38	83	9965955951	28 9965 95595 0	2	Hranolové pero A6 × 6 × 40 TGL9500	001	
39	83	9920925515	N		Kuželová maznička B8 TGL071412	002	
40	83	4221651438	28 4221 65143 0	2	Spojkové ložisko	001	
41	83	4221651495	28 4221 65149 0	6	Vysouvací zařízení	001	
42	83	4221651671	28 4221 65167 0	4	Vysouvací ložisko	001	
43	83	9910882007	28 9910 88200 0	8	Plstěný pruh 4 × 16 × 182 TGL4670	001	
44	83	4221651462	28 4221 65146 0	9	Pouzdro	001	
45	83	4221651421	28 4221 65142 0	3	Vodítko	001	
46	83	4221651550	28 4221 65155 0	8	Řadicí hřídel	002	
47	83	4221651575	28 4221 65157 0	6	Zasouvací vidlice	002	
48	83	9967943263	N		Val. ryh. kolík 5 × 40 TGL0147358	002	
49	83	9937938858	N		Val. šroub M8 × 25 TGL091288	004	
50	83	9903886653	28 9903 88665 0	2	Kulička 12mmII TGL 15515	003	
51	83	9973880305	28 9973 88030 0	2	Tl. pružina C1,6 × 11 × 11,5TGL18395	002	
52	83	9907913574	28 9907 91357 0	0	O-kroužek 22 × 2 TGL6363WS2055	002	
53	83	4221651727	28 4221 65172 0	7	Víko	008	
54	83	9933959095	N		Šroub M8 × 25 TGL093348	008	
55	83	9961910968	N		Pružná podložka B8 TGL7403	022	
56	83	4221651583	28 4221 65158 0	5	Vložený kroužek	001	
57	83	4221651647	28 4221 65164 0	7	Víko	002	
58	83	4221651614	28 4221 65161 0	0	Víko	001	
59	83	9965955791	28 9965 95579 0	2	Hranolové pero B5 × 10 TGL9500	001	
60	83	4221651294	28 4221 65129 0	0	Válcové ozubené kolo, 31 Z	001	
61	83	4221651622	28 4221 65162 0	9	Víko	001	
62	83	9933929965	N		Šroub M8 × 20 TGL093348	023	
63	83	9946937085	N		Zav. šroub M26 × 1,5 TGL0760458	001	
64	83	9970909225	28 9970 90922 0	4	Těs. kroužek A26 × 32 TGL07603AL	001	
65	83	9933930678	N		Šroub M8 × 35 TGL093388	006	
66	83	9950895912	N		Matice M8 TGL09346	001	
67	83	4221651702	28 4221 65170 0	9	Závrtný šroub	001	
68	83	9961911212	N		Pružná podložka B12 TGL 7403	012	
69	83	9950896503	N		Matice M12 TGL09346GZNC	012	
70	83	4110087136	28 4110 08713 0	7	Kroužek	001	
71	83	9964917248	N		Pojistný kroužek 35 TGL0471	001	
72	83	4240035374	28 4240 03537 0	6	Podložka klínu kliky	001	

STROJ: 4 3 332**SKLÍZEČÍ MLÁTIČKA****E-512****TABULKA: 003**

Čís. poz.	Roč.	Katalogové číslo	Obchodní číslo zboží	KZ	Název zboží	Kusy	Provedení
73	83	9935931636	N		Šroub M10 × 1 × 20 TGL096188	001	
74	83	9970908080	28 9970 90808 0	3	Těs. kroužek A10 × 15 TGL07603AL	001	
75	83	4221651710	28 4221 65171 0	8	Víko	001	
76	83	9946928156	N		Šroub M42 × 2 (TGL07604) × 35	001	
77	83	9970909828	28 9970 90982 0	2	Těs. kroužek A42 × 49 TGL07603AL	001	
78	83	4221651776	28 4221 65177 0	2	Vodící tyč	001	
79	83	4221651751	28 4221 65175 0	4	Řadící páka	001	
80	83	9964917168	N		Pojistný kroužek 20 TGL0471	001	
81	83	4032811145	28 4032 81114 0	4	Těsnění	001	
82	83	4221651165	28 4221 65116 0	5	Čelní kolo, 18Z	001	
83	83	4221651278	28 4221 65127 0	2	Přímozubé čelní kolo 43Z	001	
84	83	4221651807	28 4221 65180 0	7	Brzdící podložka	001	
85	83	4221651815	28 4221 65181 0	6	Víko	001	
86	83	4221651823	28 4221 65182 0	5	Páka	001	
87	83	4221651735	28 4221 65173 0	6	Táhlo	001	
88	83	9973880032	28 9973 88003 0	5	Tl.pruž.B2,5 × 18 × 11,5 TGL18395	001	
89	83	4240035366	28 4240 03536 0	7	Klín kliky	001	
90	83	9950896118	N		Maticе M10 TGL09346GZN	004	
91	83	9960962047	N		Podložka 10,5 TGL8328GZNC	001	
92	83	9963949762	N		Závlačka 3,2 × 16 TGL094STGCDC	001	
93	83	9950895711	N		Maticе M6 TGL09346GZNC	001	
94	83	4221652785	28 4221 65278 0	0	Brzdové obložení	002	
95	83	9965956093	28 9965 95609 0	5	Hranolové pero A8 × 7 × 28 TGL9500	001	
96	83	9902890931	10 7063 08030 0	8	Kuličkové ložisko 6308C3	001	
97	83	9964917223	N		Pojistný kroužek 32 TGL0471	001	
98	83	9933929120	N		Šroub M6 × 12 TGL093356	011	
99	83	4221651944	28 4221 65194 0	1	Hřídel	002	
100	83	4221651960	28 4221 65196 0	9	Pouzdro	002	
101	83	9902890521	10 7062 08000 0	6	Kuličkové ložisko 6208	002	
102	83	9964917834	N		Pojistný kroužek 80 TGL0472	002	
103	83	9905871284	28 9905 87128 0	0	Gufero D50 × 72 × 10	002	
104	83	9907915447	28 9907 91544 0	3	O-kroužek 40 × 3 TGL 6365 WS2055	002	
105	83	4221658508	28 4221 65850 0	6	Kolová brzda E512, pravá	001	
106	83	4221651977	28 4221 65197 0	8	Brzdový buben	002	
107	83	4221651985	28 4221 65198 0	7	Příruba	002	
108	83	9964917264	N		Pojistný kroužek 40 TGL0471	002	
109	83	9936938617	N		Val. šroub M12 × 22 TGL0912109	012	

STROJ: 4 3 332**SKLÍZECÍ MLÁTIČKA****E-512****TABULKA: 003**

Čís. poz.	Roč.	Katalogové číslo	Obchodní číslo zboží	KZ	Název zboží	Kusy	Provedení
110	83	9933931027	N		Šroub M10 × 25 TGL09388GZNC	012	
111	83	4221658516	28 4221 65851 0	5	Kolová brzda E512, levá	001	
112	83	9964917143	N		Pojistný kroužek 16 TGL0471	001	
113	83	9970908810	28 9970 90881 0	4	Těs. kroužek A20 × 24 TGL07603AL	001	
114	83	4221652840	28 4221 65284 0	2	Šestihraná matice	001	
115	83	84/2/1	N		Indukční snímač otáček	001	
116	83	4221651181	28 4221 65118 0	3	Hřídel s čelním ozubeným kolem	001	
117	83	4250125052	28 4250 12505 0	4	Hřídel	001	
118	83	4221652680	28 4221 65268 0	2	Převodová brzda kompletní	001	



TABULKA: 004

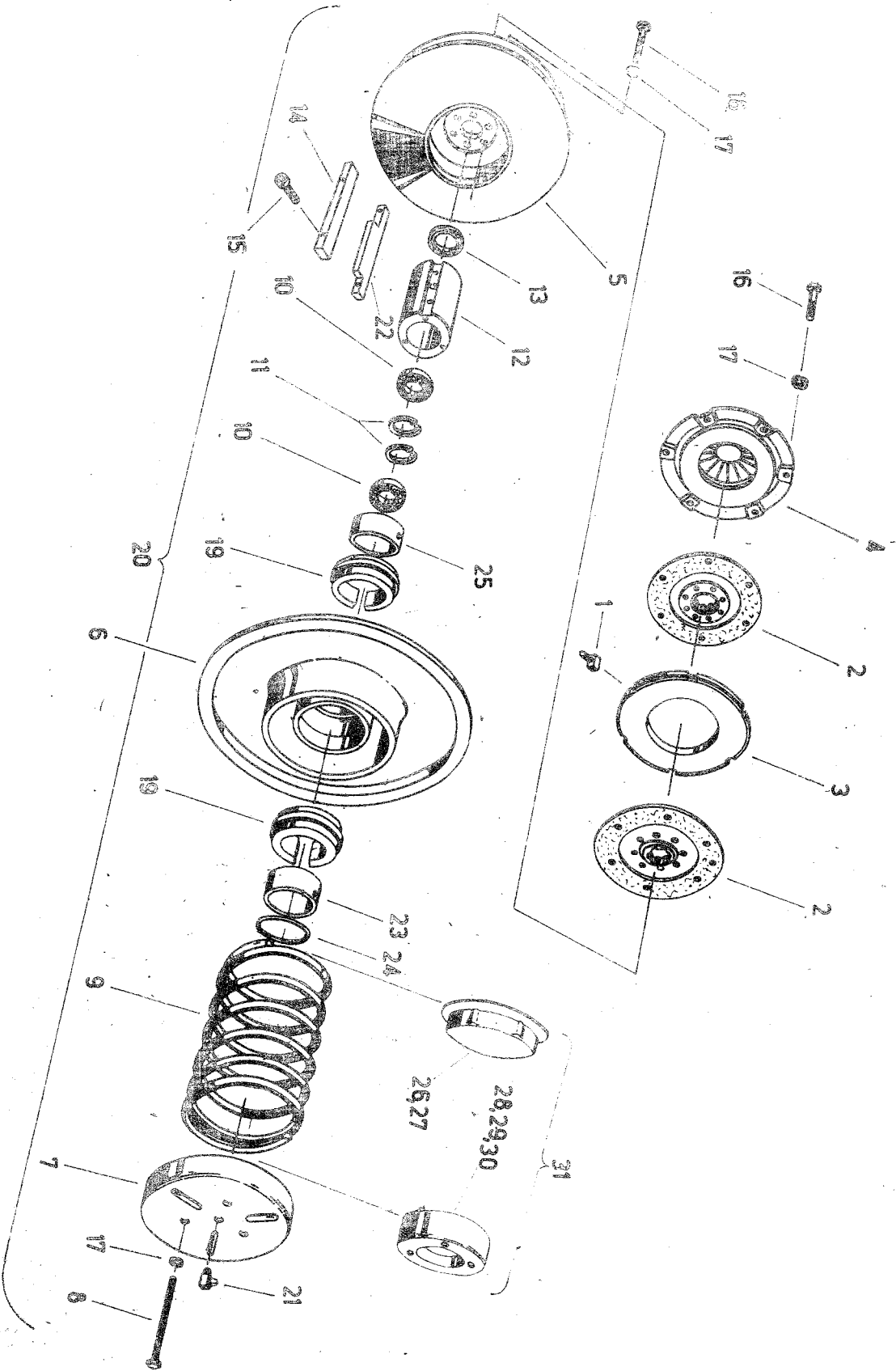
STROJ: 4 3 332

SKLÍZEČÍ MLÁTIČKA

E-512

TABULKA: 004

Čís. poz.	Roč.	Katalogové šifro	Obchodní číslo zboží	KZ	Název zboží	Kusy	Provedení
1	83	4221652020	28 4221 65202 0	0	Diferenciál úplný	001	
2	83	4221652037	28 4221 65203 0	9	Skříň diferenciálu	001	
3	83	4221652117	28 4221 65211 0	9	Regulační podložka kulová	004	
4	83	4221652125	28 4221 65212 0	8	Regulační podložka 3mm	000	
5	83	4221652133	28 4221 65213 0	7	Regulační podložka 3,25mm	000	
6	83	4221652141	28 4221 65214 0	6	Regulační podložka 3,50mm	000	
7	83	4221652174	28 4221 65217 0	3	Čep satelitu diferenciálu	002	
8	83	4221652190	28 4221 65219 0	1	Kuželový satelit	000	
9	83	4221652205	28 4221 65220 0	8	Kuželové kolo 16Z	002	
10	83	4221652221	28 4221 65222 0	6	Válcový rýhovaný kolík	002	
11	83	4221652238	28 4221 65223 0	5	Čelní kolo 73Z	001	
12	83	9934932180	N		Šroub M12 × 1,5 × 45 TGL096088	008	
13	83	9962923641	28 9962 92364 0	3	Pojistka A13 TGL0463ST	026	
14	83	9933932011	N		Šroub M12 × 35 TGL093388	026	
15	83	9950896451	N		Maticice M12 TGL 09346	018	
16	83	9902890626	10 7062 12000 0	7	Kuličkové ložisko 6212	002	
17	83	4221652158	28 4221 65215 0	5	Regulační podložka 3,75 mm	000	
18	83	4221652166	28 4221 65216 0	4	Regulační podložka 4,00mm	000	
19	83	4221652061	28 4221 65206 0	6	Regulační podložka 3,6mm	000	
20	83	4221652078	28 4221 65207 0	5	Regulační podložka 3,9 mm	000	
21	83	4221652086	28 4221 65208 0	4	Regulační podložka 4,1mm	000	
22	83	4221652182	28 4221 65218 0	2	Regulační podložka 4,2 mm	000	



TABULKA: 005

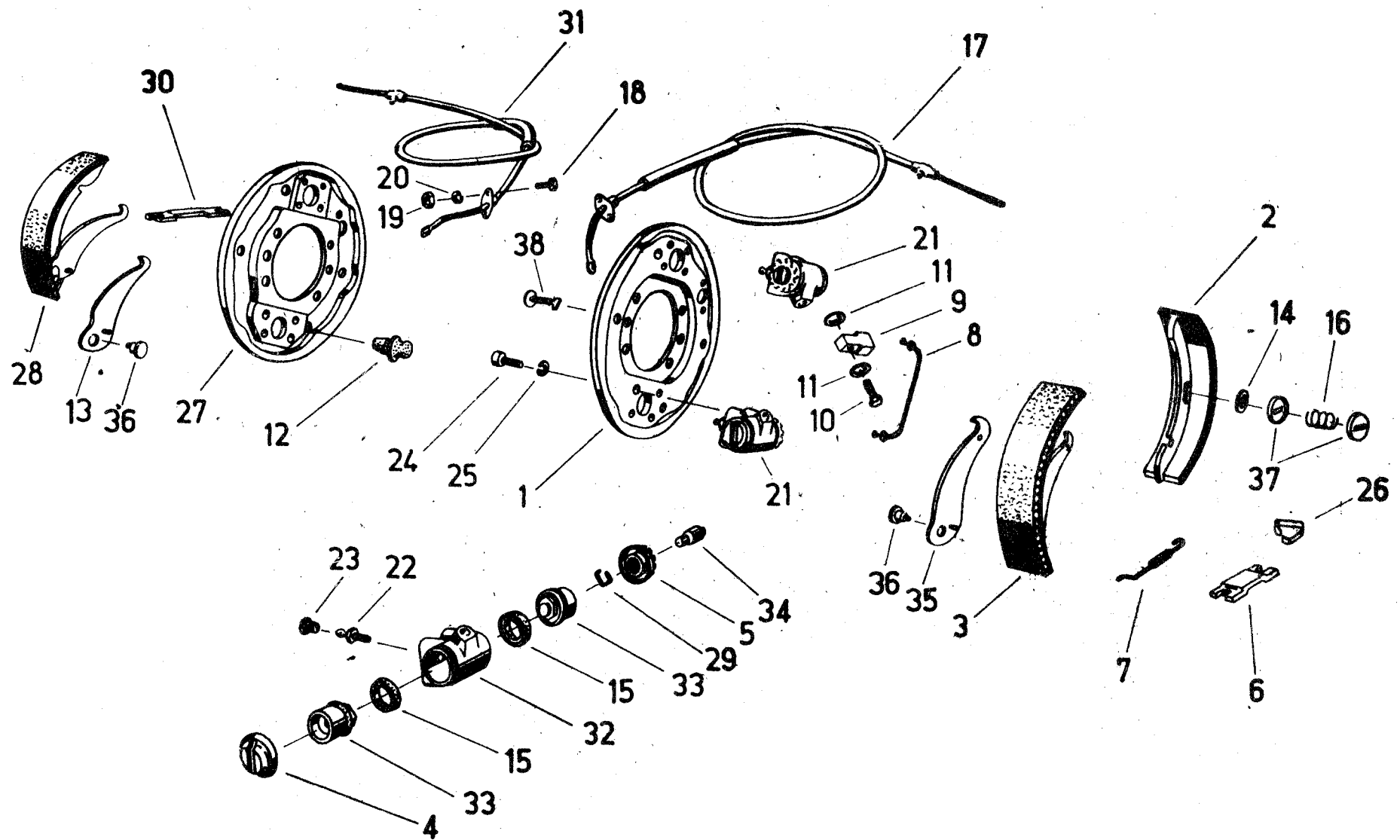
STROJ: 4 3 332

SKLÍZECÍ MLÁTIČKA

E-512

TABULKA: 005

Čís. poz.	Roč.	Katalogové číslo	Obchodní číslo zboží	KZ	Název zboží	Kusy	Provedení
1	83	1201684656	28 1201 68465 0	2	Kamen	003	
2	83	4221658887	28 4221 65888 0	2	Kotouč spojky 250S	002	
3	83	1201684510	28 1201 68451 0	8	Kotouč spojky	001	
4	83	4221658485	28 4221 65848 0	0	Spojka úplná	001	
5	83	4250125116	28 4250 12511 0	6	Polovina klínové řemenice	001	
6	83	4250125124	28 4250 12512 0	5	Polovina klínové řemenice	001	
7	83	4221652471	28 4221 65247 0	7	Víko	001	
8	83	4221652576	28 4221 65257 0	5	Šestihranný šroub	003	
9	83	4221652422	28 4221 65242 0	2	Pružina	001	
10	83	9902890111	10 7060 07000 0	2	Kuličkové ložisko 6007	002	
11	83	9964917818	N		Pojistný kroužek 62 TGL0472	002	
12	83	4221652672	28 4221 65267 0	3	Pouzdro	001	
13	83	9905870773	28 9905 87077 0	2	Gufero D40 × 62 × 7	001	
14	83	4250124822	28 4250 12482 0	2	Hranolové pero	001	
15	83	9937938480	N		Val. šroub M8 × 20 TGL091288	003	
16	83	9933931695	N		Šroub M10 × 22 TGL093388	006	
17	83	9961911085	N		Pružná podložka B10 TGL7403GZN	015	
18	83	9933931123	N		Šroub M10 × 30 TGL093388GZNC	006	
19	83	4221652584	28 4221 65258 0	4	Kroužek	002	
20	83	4221652262	28 4221 65226 0	2	Variátor úplný	001	
21	83	9920925548	N		Kuželová maznička C8 TGL071412	001	
31	83	0100073940	N		Pero kompletní	001	



TABULKA 7

TABULKA: 007

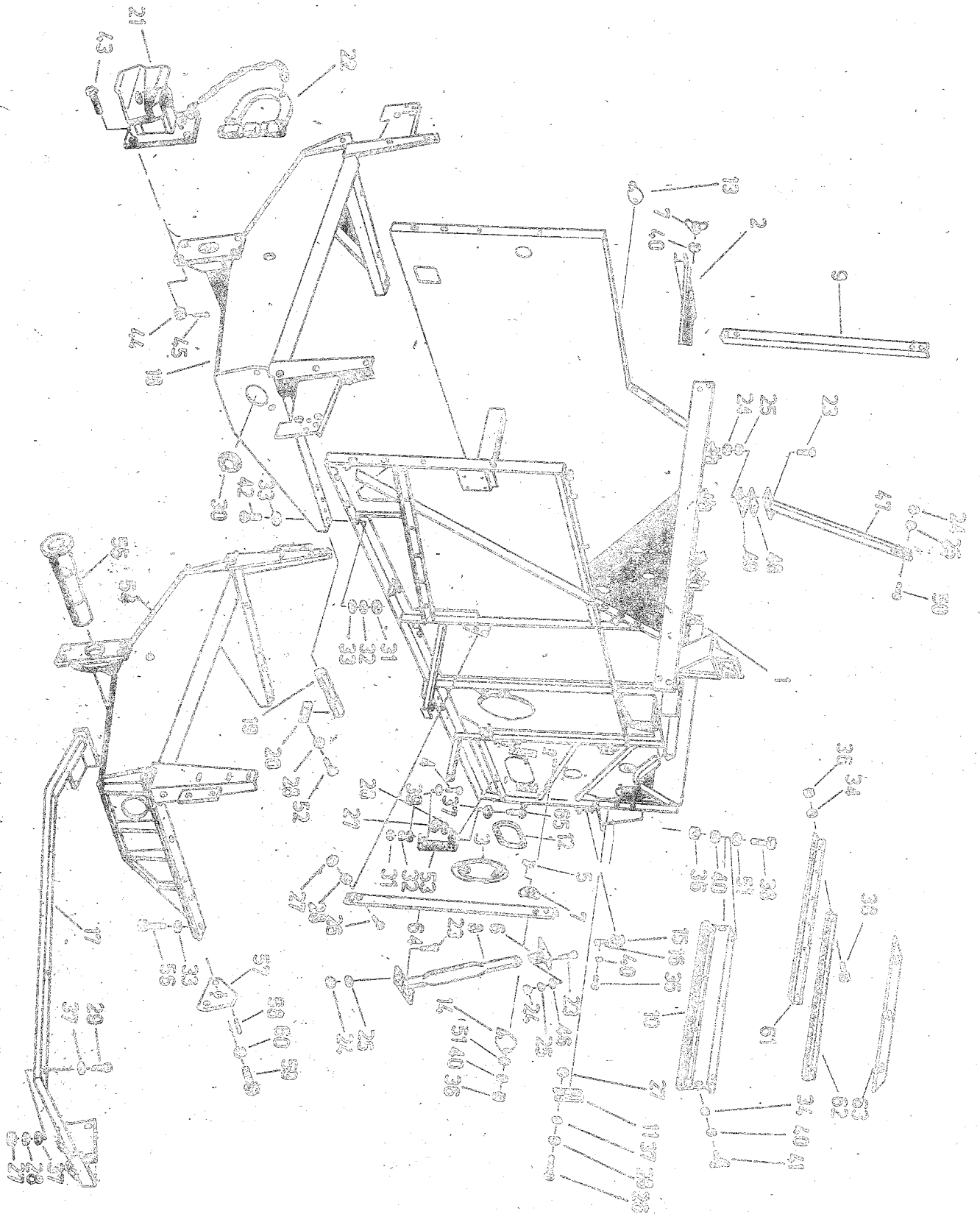
STROJ: 4 3 332

SKLÍZECÍ MLÁTIČKA

E-512

TABULKA: 007

Čís. poz.	Roč.	Katalogové číslo	Obchodní číslo zboží	KZ	Název zboží	Kusy	Provedení
1	83	4221658540	28 4221 65854 0	2	Brzdový štít pravý, úplný	001	
2	83	4221658604	28 4221 65860 0	4	Brzdová čelist úplná	002	
3	83	4221658581	28 4221 65858 0	8	Brzdová čelist úplná	001	
4	83	4221658661	28 4221 65866 0	8	Opěrné víčko	004	
5	83	4221658686	28 4221 65868 0	6	Regulační víčko úplné	004	
6	83	4221658532	28 4221 65853 0	3	Přítlačná lávka pravá	001	
7	83	4221658717	28 4221 65871 0	1	Vratná tažná pružina	004	
8	83	4221658573	28 4221 65857 0	9	Trubka brzdy úplná	002	
9	83	4221658782	28 4221 65878 0	4	Prstencové hrdlo	004	
10	83	A13	N		Dutý šroub	004	
11	83	9970908064	28 9970 90806 0	5	Těs. kroužek A10 × 13,5TGL07603CU	008	
12	83	4221658741	28 4221 65874 0	8	Zátka	004	
13	83	4221658524	28 4221 65852 0	4	Páka ruční brzdy, levá, úplná	001	
14	83	4221658733	28 4221 65873 0	9	Podložka	004	
15	83	4221658985	28 4221 65889 0	1	Kroužek UNA 32 × 20 × 6,8	008	
16	83	4221658700	28 4221 65870 0	2	Tlačná pružina	004	
17	83	4221658557	28 4221 65855 0	1	Lanko brzdy úplné pravé	001	
18	83	9933929313	N		Šroub M6 × 16 TGL093388GZNC	004	
19	83	9950895711	N		Maticе M6 TGL09346GZN	004	
20	83	9961910847	N		Pružná podložka B6 TGL7403GZN	004	
21	83	4221658612	28 4221 65861 0	3	Brzdový váleček kola prům.31,8	004	
22	83	A2	N		Odvzdušňovací šroub	002	
23	83	9020878410	28 9020 87841	2	Víčko zátky A66 TGL39233	002	
24	83	9937938841	N		Val. šroub M8 × 20 TGL0912109	016	
25	83	9961910968	N		Pružná podložka B8 TGL7403	016	
26	83	4221658774	28 4221 65877 0	5	Svěrací pružina	002	
27	83	4221658790	28 4221 65879 0	3	Brzdový štít úplný levý	001	
28	83	4221658598	28 4221 65859 0	7	Brzdová čelist úplná	001	
29	83	4221658678	28 4221 65867 0	7	Pružná spona	004	
30	83	4221658766	28 4221 65876 0	6	Přítlačná lávka levá	001	
31	83	4221658565	28 4221 65856 0	0	Lanko brzdy úplné levé	001	
32	83	4221658645	28 4221 65864 0	0	Těleso	004	
33	83	LZ57	N		Píst prům. 31,8	008	
34	83	4221658637	28 4221 65863 0	1	Přítlačný čep	004	
35	83	4221658805	28 4221 65880 0	0	Páka ruční brzdy, úplná, pravá	001	
36	83	4221658758	28 4221 65875 0	7	Šroub ruční brzdy	002	
37	83	4221658694	28 4221 65869 0	5	Miska pružiny	008	
38	83	4221658725	28 4221 65872 0	0	Čep	004	



TABULKA: 008

STROJ: 4 3 332

SKLÍZECÍ MLÁTIČKA

E-512

TABULKA: 008

Čís. poz.	Roč.	Katalogové číslo	Obchodní číslo zboží	KZ	Název zboží	Kusy	Provedení
1	83	4221602413	28 4221 60241 0	3	Kostra	001	
2	83	4221602501	28 4221 60250 0	2	Dno	001	
3	83	4210381958	28 4210 38195 0	0	Víko	002	
4	83	9930931987	N		Šroub M12 × 35 TGL0558GZNC	001	
5	83	4221602776	28 4221 60277 0	1	Svorka	006	
6	83	4221602688	28 4221 60268 0	2	Spojka	001	
7	83	9951893790	N		Křídlatá matice M8 TGL0315	007	
8	83	4221602663	28 4221 60266 0	4	Opěra	001	
9	83	4221602710	28 4221 60271 0	7	Nosník	001	
10	83	4221602727	28 4221 60272 0	6	Klapka	001	
11	83	4221602743	28 4221 60274 0	4	Držák	002	
12	83	4221602768	28 4221 60276 0	2	Víko	002	
13	83	4221602960	28 4221 60296 0	8	Víko levé	001	
14	83	4221602977	28 4221 60297 0	7	Víko pravé	001	
15	83	4221602807	28 4221 60280 0	6	Držák	002	
16	83	4221602815	28 4221 60281 0	5	Hák	002	
17	83	4221602911	28 4221 60291 0	3	Příčná spojka	001	
18	83	4221602952	28 4221 60295 0	9	Nosič řídicí nápravy	001	
19	83	4221602831	28 4221 60283 0	3	Čep řídicí nápravy	001	
20	83	4221602848	28 4221 60284 0	2	Držák	001	
21	83	4221648024	28 4221 64802 0	6	Vlečné závěsné ústrojí	001	
22	83	4221648032	28 4221 64803 0	5	Čep úplný	001	
23	83	9933958824	N		Šroub M16 × 40 TGL093388GZNC	006	
24	83	9950896841	N		Matice M16 TGL09346GZN	009	
25	83	9961911462	N		Pružná podložka B16 TGL7403GZN	009	
26	83	9930930986	N		Šroub M10 × 25 TGL0558GZNC	012	
27	83	9950896118	N		Matice M10 TGL09346GZN	016	
28	83	9961911085	N		Pružná podložka B10 TGL7403GZN	018	
29	83	9930931150	N		Šroub M10 × 35 TGL0558GZNC	002	
30	83	4221675123	28 4221 67512 0	1	Krytka 1283 OF	002	
31	83	9950896503	N		Matice M12 TGL09346GZNC	013	
32	83	9961911204	N		Pružná podložka B12 TGL7403GZN	013	
33	83	9961922088	N		Podložka A14 TGL0440GZN	026	
34	83	9960919831	N		Podložka 8,4 TGL8328GZNC	008	
35	83	9933929860	N		Šroub M8 × 16 TGL093388GZNC	011	
36	83	9950895881	N		Matice M8 TGL09346GZNC	020	
37	83	9960962047	N		Podložka 10,5 TGL8328 GZNC	010	

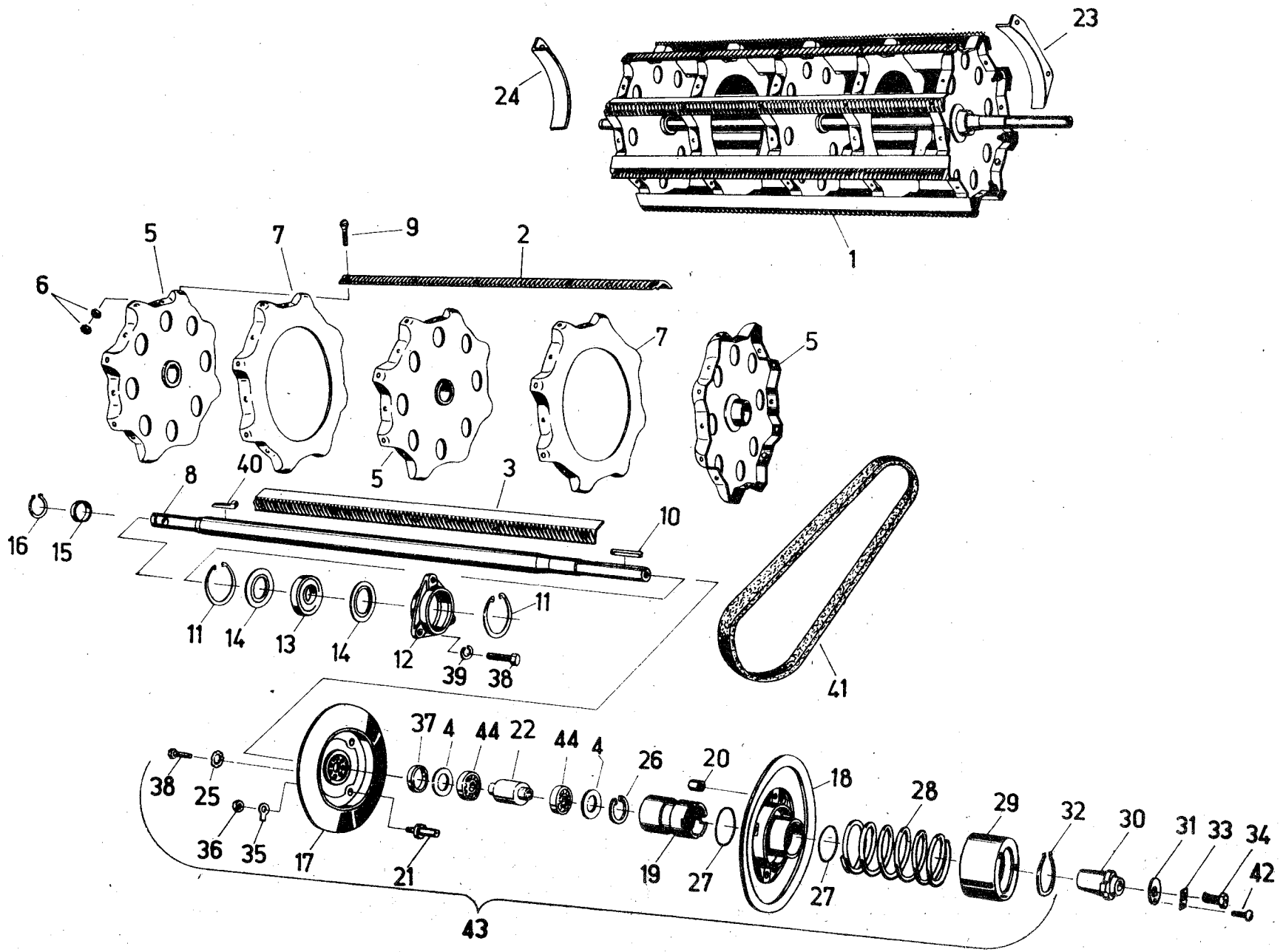
STROJ: 4 3 332

SKLÍZECÍ MLÁTIČKA

E-512

TABULKA: 008

Čís. poz.	Roč.	Katalogové číslo	Obchodní číslo zboží	KZ	Název zboží	Kusy	Provedení
38	83	9930929984	N		Šroub M8 × 20 TGL0558GZNC	009	
39	83	9960922031	N		Podložka 13 TGL8328GZNC	003	
40	83	9961910976	N		Pružná podložka B8 TGL7403GZNC	030	
41	83	9944926822	N		Kříd. šroub M8 × 20 TGL0316GZNC	002	
42	83	9933932028	N		Šroub M12 × 35 TGL093388GZNC	012	
43	83	9933933174	N		Šroub M16 × 50 TGL093388GZNC	004	
44	83	9951894566	N		Kor. matice M16 TGL09356GZNC	004	
45	83	N	N		Závlačka 4 × 30 TGL094STGDC	004	
46	83	9960962055	N		Podložka 17 TGL8328GZNC	001	
47	83	4221602550	28 4221 60255 0	7	Nosník	001	
48	83	4221602606	28 4221 60260 0	0	Příložka 2 síla	000	
49	83	4221602614	28 4221 60261 0	9	Příložka 1 síla	000	
50	83	9933932911	N		Šroub M16 × 30 TGL093388GZNC	003	
51	83	9961921673	N		Podložka A9,5 TGL 0440GZN	005	
52	83	9933931027	N		Šroub M10 × 25 TGL093388GZNC	002	
53	83	4221602438	28 4221 60243 0	1	Upínací vedení	001	
54	83	4221668944	28 4221 66894 0	2	Nosič řídící	001	
55	83	4221668952	28 4221 66895 0	1	Čep řídící nápravy	001	
56	83	9932932391	N		Šroub M12 × 75 TGL093188GZNC	010	
57	83	4221668960	28 4221 66896 0	0	Pojistná podložka	001	
58	83	9967942045	N		Zalicovaný kolík 8 × 16 TGL01472	001	
59	83	9935959952	N		Šroub M20 × 1,5 × 45 TGL096188	001	
60	83	9962923721	28 9962 92372 0	3	Pojistka 22 TGL0432SRGZN	001	
61	83	4221602928	28 4221 60292 0	2	Těsnící guma	001	
62	83	4221602903	28 4221 60290 0	4	Úhelník	001	
63	83	4221602897	28 4221 60289 0	7	Těsnění	001	
64	83	4221602696	28 4221 60269 0	1	Sloupek	001	
65	83	N	N		Šroub M10 × 30 TGL09334.8GZNC	002	



TABULKA 9

TABULKA: 009

STROJ: 4 3 332

SKLÍZECÍ MLÁTIČKA

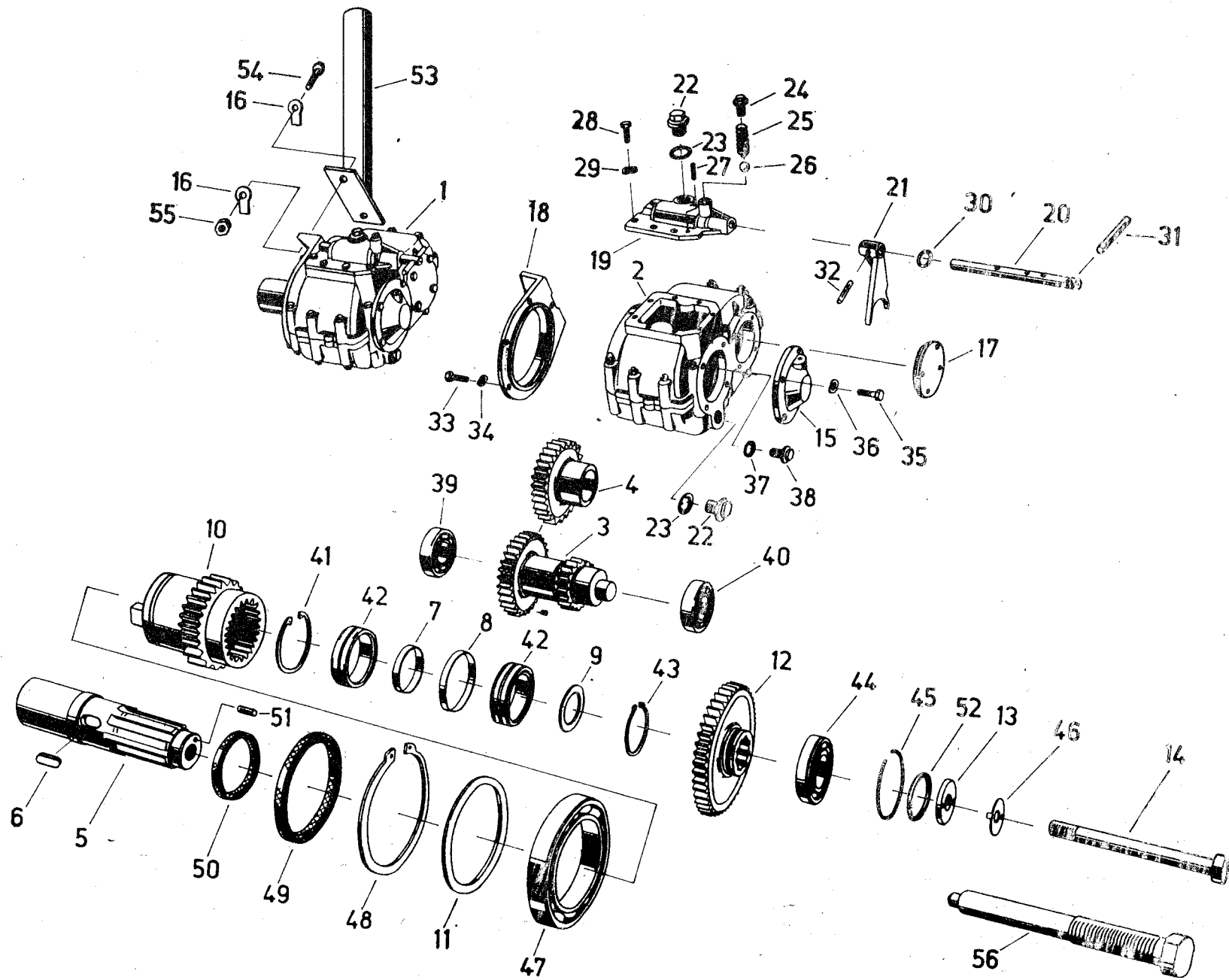
E-512

TABULKA: 009

Čís. poz.	Roč.	Katalogové číslo	Obchodní číslo zboží	KZ	Název zboží	Kusy	Provedení
1	83	4221617805	28 4221 61780 0	9	Mlátící buben	001	
2	83	4221618010	28 4221 61801 0	3	Mlátící lišta	004	
3	83	4221618002	28 4221 61800 0	4	Mlátící lišta	004	
4	83	4221615194	28 4221 61519 0	6	Těsnící podložka	004	
5	83	4221617967	28 4221 61796 0	1	Hvězda bubnu	003	
6	83	9950896503	N		Matice M12 TGL09346GZNC	080	
7	83	4221617983	28 4221 61798 0	9	Hvězda bubnu	002	
8	83	4221618068	28 4221 61806 0	8	Hřídel	001	
9	83	4221618277	28 4221 61827 0	3	Šroub s žebrovanou hlavou	040	
10	83	9965956727	28 9965 95672 0	8	Hranolové pero A12 × 8 × 110 TGL9500	001	
11	83	9964917867	N		Pojistný kroužek 100 TGL0472	004	
12	83	4221610060	28 4221 61006 0	6	Skříň ložiska	002	
13	83	9902890956	10 7063 09000 0	2	Kuličkové ložisko 6309 2RS	002	
14	83	4221610077	28 4221 61007 0	5	Víko	004	
15	83	4221610261	28 4221 61026 0	2	Rozpěrný kroužek	001	
16	83	9964917280	N		Pojistný kroužek 45 TGL0471	001	
17	83	4221618115	28 4221 61811 0	1	Polovina kotouče	001	
18	83	4221618107	28 4221 61810 0	2	Polovina kotouče	001	
19	83	4221618148	28 4221 61814 0	8	Pouzdro vedení	001	
20	83	9926867330	28 9926 86733 0	5	Pouzdro D 28/36R 6 × 32 TGL6558	003	
21	83	4221618131	28 4221 61813 0	9	Čep unašeče	003	
22	83	4221618197	28 4221 61819 0	3	Pouzdro	001	
23	83	4221617934	28 4221 61793 0	4	Krycí lišta	001	
24	83	4221617926	28 4221 61792 0	5	Krycí lišta	001	
25	83	9961924522	N		Ozub. podložka B12 TGL06797GZNC	008	
26	83	9964917834	N		Pojistný kroužek 80 TGL0472	001	
27	83	9907915898	28 9907 91589 0	0	O-kroužek 120 × 3 TGL6365WS2,055	002	
28	83	4221618203	28 4221 61820 0	0	Pero	001	
29	83	4221618123	28 4221 61812 0	0	Vedení pera	001	
30	83	4221617887	28 4221 61788 0	1	Unašeč	001	
31	83	4221617895	28 4221 61789 0	0	Podložka	001	
32	83	9964917440	N		Pojistný kroužek 120 TGL0471	001	
33	83	4221617901	28 4221 61790 0	7	Pojistná podložka	001	
34	83	4221617918	28 4221 61791 0	6	Šestihranný šroub	001	
35	83	9962923705	28 9962 92370 0	5	Pojistka A21 TGL0463ST	003	
36	83	9950897738	N		Matice M20 × 1,5 TGL09365GZN	003	
37	83	4221618172	28 4221 61817 0	5	Kroužek	001	

STROJ: 4 3 332**SKLÍZECÍ MLÁTIČKA****E-512****TABULKA: 009**

Čís. poz.	Roč.	Katalogové číslo	Obchodní číslo zboží	KZ	Název zboží	Kusy	Provedení
38	83	9933932028	N		Šroub M12 × 35 TGL093388GZNC	014	
39	83	9961911204	N		Pružná podložka B12 TGL7403GZN	006	
40	83	9965955486	28 9965 95548 0	9	Klín s nosem 14 × 9 × 70 TGL9502	006	
41	83	4221668165	28 4221 66816 0	6	Klínový řemen 50 × 20 × 2150 + 25LI	001	
42	83	9967884251	N		Rýhovaný hřeb 6 × 16 TGL014764.6	001	
43	83	4221617846	28 4221 61784 0	5	Kotouč mlátícího bubnu	001	
44	83	9902890128	10 7060 10000 0	5	Kuličkové ložisko 6010	002	



TABULKA 10

TABULKA: 010

STROJ: 4 3 332

SKLÍZECÍ MLÁTIČKA

E-512

TABULKA: 010

Čís. poz.	Roč.	Katalogové číslo	Obchodní číslo zboží	KZ	Název zboží	Kusy	Provedení
1	83	4228653216	28 4228 65321 0	0	Převodovka s čelním ozub. kolem	001	
2	83	4228653232	28 4228 65323 0	0	Skříň převodovky	001	
3	83	4228653265	28 4228 65326 0	7	Hřídel s čelním ozub. kolem	001	
4	83	4228653273	28 4228 65327 0	6	Čelní kolo s přímým ozub. 34Z	001	
5	83	4228653304	28 4228 65330 0	1	Pouzdro	001	
6	83	4228653312	28 4228 65331 0	0	Uzavírací destička	001	
7	83	4228653320	28 4228 65332 0	9	Rozpěrný kroužek	001	
8	83	4228653337	28 4228 65333 0	8	Rozpěrný kroužek	001	
9	83	4228653345	28 4228 65334 0	7	Podložka	001	
10	83	4228653378	28 4228 65337 0	4	Pouzdro s přímým ozub. 39Z	001	
11	83	4228653386	28 4228 65338 0	3	Kroužek	001	
12	83	4228653394	28 4228 65339 0	2	Čelní kolo s přímým ozub. 40Z	001	
13	83	4228653425	28 4228 65342 0	7	Podložka	001	
14	83	4228653433	28 4228 65343 0	6	Šroub	001	
15	83	4228653466	28 4228 65346 0	3	Víko	001	
16	83	9963923586	28 9963 92358 0	9	Pojistka 10,5 TGL093ST	004	
17	83	4228653490	28 4228 65349 0	0	Víko	001	
18	83	4228653513	28 4228 65351 0	6	Opěrné víko	001	
19	83	4228653546	28 4228 65354 0	3	Víko	001	
20	83	4228653554	28 4228 65355 0	2	Vodící tyč	001	
21	83	4228653562	28 4228 65356 0	1	Zasouvací vidlice	001	
22	83	9946937085	N		Zav. šroub M26 × 1,5 TGL0760458	002	
23	83	9970909225	28 9970 90922 0	4	Těs. kroužek A26 × 32 TGL07603AL	002	
24	83	9946936340	N		Zav. šroub M12 × 1,5 TGL0760458	001	
25	83	997388082	28 9973 88082 0	6	tl. pružina C1,4 × 10 × 7,5 TGL18395	001	
26	83	9903886661	28 9903 88666 0	1	Kulička 13/32 II TGL15515	001	
27	83	9967942496	N		Zas. kolík 5 × 16 TGL014745.8	002	
28	83	9930929404	N		Šroub M6 × 20 TGL0558GZNC	008	
29	83	9961919910	N		Pružná podložka 6 TGL0137	008	
30	83	N	N		O-kroužek 8 × 2 TGL636WS2.055	002	
31	83	9967941325	N		Roub. kolík 10 × 80 TGL0147558	001	
32	83	9967943247	N		Val. rýh. kolík 5 × 628 TGL0147358	001	
33	83	9930931054	N		Šroub M10 × 30 TGL0588GZNC	008	
34	83	9961911085	N		Pružná podložka B10 TGL7403 GZN	008	
35	83	9930930078	N		Šroub M8 × 25 TGL0558GZNC	008	
36	83	9961920061	N		Pružná podložka 8 TGL0137GZN	008	
37	83	9970908111	28 9970 90811 0	8	Těs. kroužek A10 × 16 TGL07603AL	001	

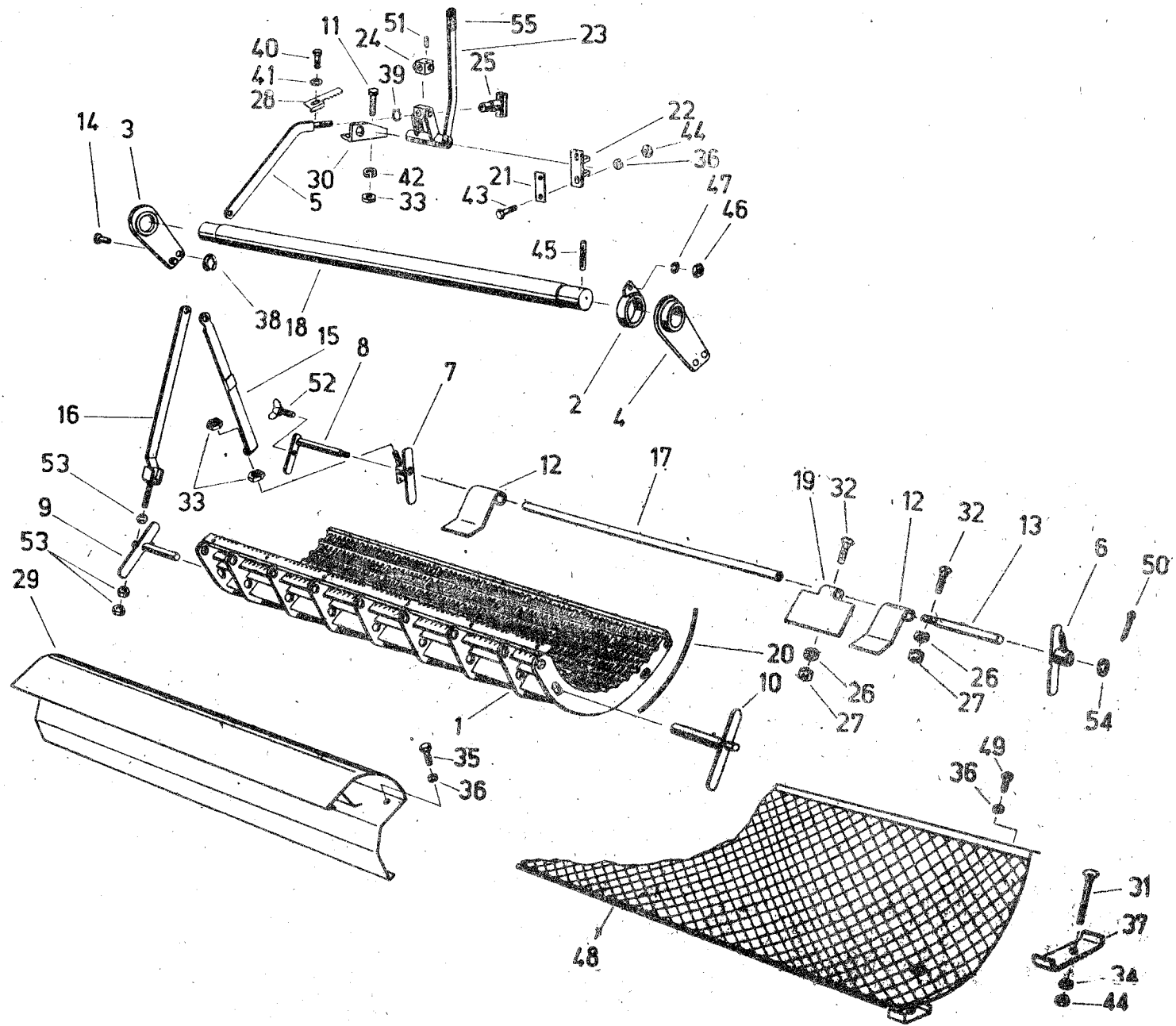
STROJ: 4 3 332

SKLÍZEČÍ MLÁTIČKA

E-512

TABULKA: 010

Čís. poz.	Roč.	Katalogové číslo	Obchodní číslo zboží	KZ	Název zboží	Kusy	Provedení
38	83	9946936228	N		Zav. šroub M10 × 1 TGL0760458	001	
39	83	9902890490	10 7062 07000 0	8	Kuličkové ložisko 6207	001	
40	83	9902890907	10 7063 07000 0	6	Kuličkové ložisko 6307	001	
41	83	9964917850 0	N		Pojistný kroužek 90 TGL0472	001	
42	83	9902888840	10 7604 91300 0	8	Jehlové ložisko na 4913	002	
43	83	9964917360	N		Pojistný kroužek 65 TGL0471	001	
44	83	9902890595	10 7062 10100 0	0	Kuličkové ložisko 6210 N	001	
45	83	9962918170	28 9962 91817	0 7	Pojistný kroužek SP90 TGL15519	001	
46	83	9962923826	28 9962 92382 0	1	Pojistka 22 TGL0432ST	001	
47	83	9902890177	10 7060 22000 0	0	Kuličkové ložisko 6022	001	
48	83	9961917432	28 9961 91743 0	8	Pojistný kroužek 110 TGL0471	001	
49	83	9905872357	28 9905 87235 0	0	Gufero D110 × 140 × 12	001	
50	83	9905872002	28 9905 87200 0	1	Gufero D70 × 90 × 10	002	
51	83	9967943392	N		Val. rýh. kolík 6 × 16 TGL014735.8	001	
52	83	9907913574	28 9907 91357 0	0	O-kroužek 22 × 2 TGL636WS2.055	001	
53	83	4228650664	28 4228 65066 0	2	Přidrzná tyč	001	
54	83	9932931237	N		Šroub M10 × 40 TGL093188GZNC	002	
55	83	9950896126	N		Maticе M10 TGL09348GZN	002	
56	83	4228639636	28 4228 63963 0	0	Stahovací šroub	001	



TABULKA 11

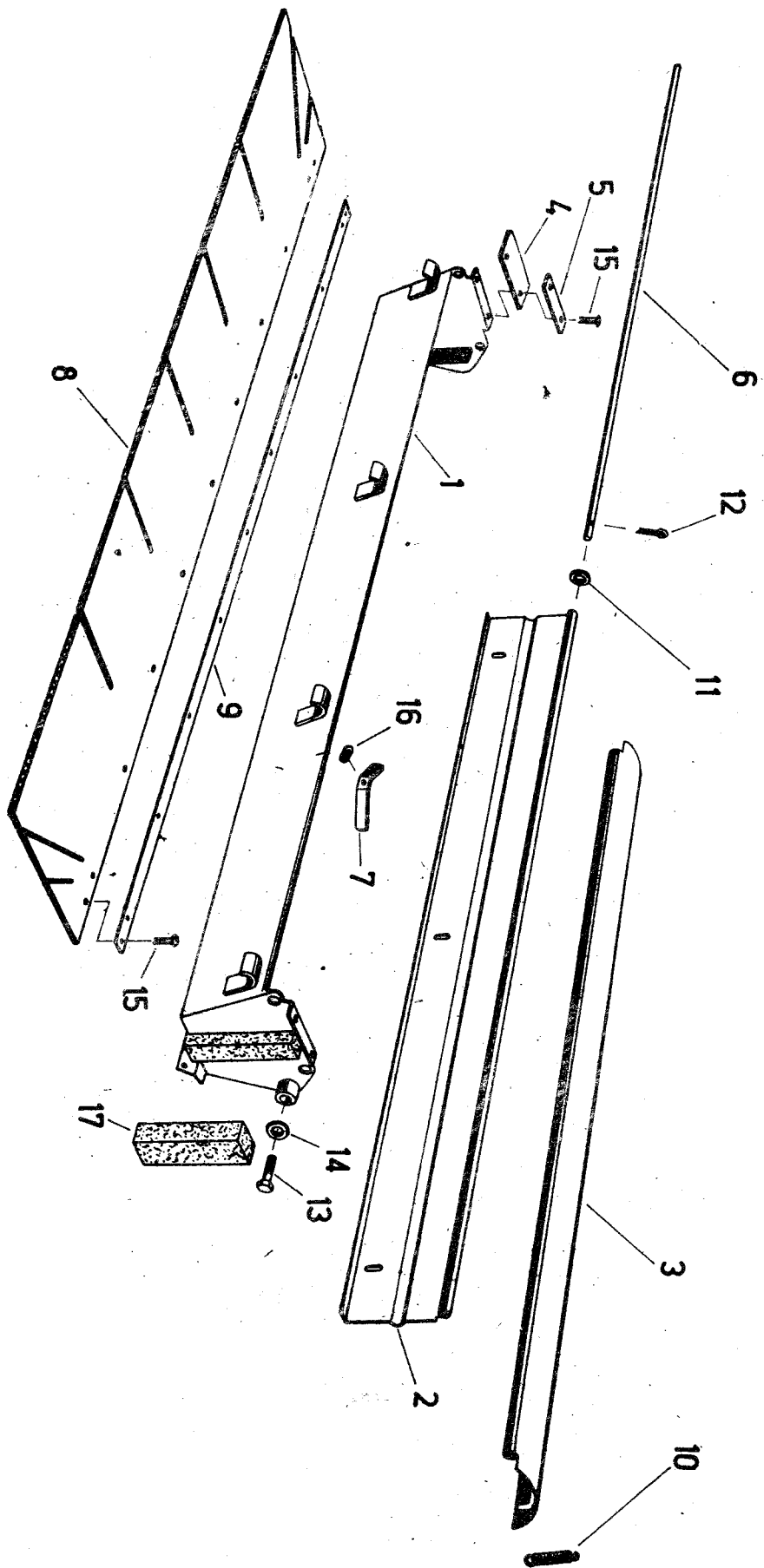
STROJ: 4 3 332

SKLÍZEČ MLÁTIČKA

E-512

TABULKA: 011

Čís. poz.	Roč.	Katalogové číslo	Obchodní číslo zboží	KZ	Název zboží	Kusy	Provedení
33	83	9950896841	N		Matice M16 TGL09346GZN	006	
34	83	9950896101	N		Matice M10 TGL04395GZNC	004	
35	83	9933930901	N		Šroub M10 × 20 TGL0558GZNC	006	
36	83	9961911085	N		Pružná podložka B10 TGL7403GZN	014	
37	83	4221651011	28 4221 65101 0	2	Příložka	004	
38	83	9964923496	N		Pojistná podložka 19 TGL06799	001	
39	83	9964917231	N		Pojistný kroužek 34 TGL0471	001	
40	83	9933929161	N		Šroub M6 × 10 TGL093388GZNC	001	
41	83	9960921553	N		Podložka 6,4 TGL17774STGZN	001	
42	83	9961911462	N		Pružná podložka B16 TGL 7403GZN	002	
43	83	9930931054	N		Šroub M10 × 30 TGL0558GZNC	002	
44	83	9950896118	N		Matice M10 TGL 09346GZN	006	
45	83	9967944047	N		Val. ryh. kolík 16 × 90 TGL0147358	002	
46	83	9950896472	N		Matice AM12 TGL04395GZNC	004	
47	83	9961911204	N		Pružná podložka B12 TGL7403GZN	004	
48	83	4221651003	28 4221 65100 0	3	Tkanina k vylušťování jetele	001	
49	83	9930930865	N		Šroub M10 × 16 TGL0558GZNC	006	
50	83	9963950530	N		Závlačka 6,3 × 45 TGL094STGCDC	001	
51	83	9967942873	N		Val. kolík 3 × 12 TGL014735.8	001	
52	83	9944926822	N		Kříd. šroub M8 × 20 TGL031658GZNC	001	
53	83	9950896503	N		Matice M12 TGL09346GZNC	006	
54	83	9960922827	N		Podložka 26 TGL17774STGZN	001	
55	83	4221605955	N		Potah rukojeti	001	



TABULKA: 012

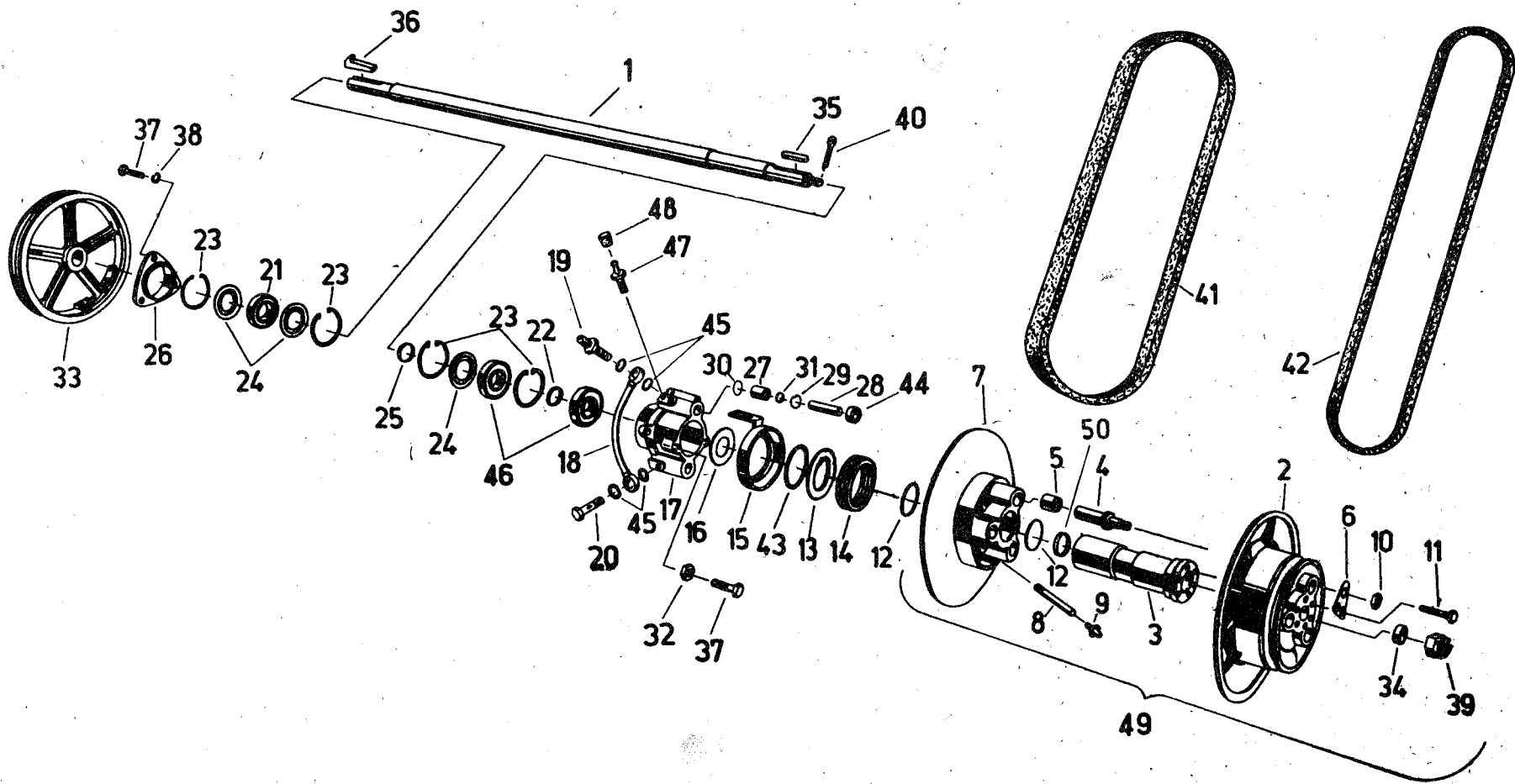
STROJ: 4 3 332

SKLÍZECÍ MLÁTIČKA

E-512

TABULKA: 012

Čís. poz.	Roč.	Katalogové číslo	Obchodní číslo zboží	KZ	Název zboží	Kusy	Provedení
1	83	4221617210	28 4221 61721 0	0	Koryto k zachycování kamení	001	
2	83	4221617276	28 4221 61727 0	4	Klapka	001	
3	83	4221617323	28 4221 61732 0	7	Oplechování	001	
4	83	4221617364	28 4221 61736 0	3	Těsnění	002	
5	83	4221617372	28 4221 61737 0	2	Lišta	002	
6	83	4221617380	28 4221 61738 0	1	Tyč	001	
7	83	4221617557	28 4221 61755 0	0	Roubík	003	
8	83	4221617604	28 4221 61760 0	3	Těsnění	001	
9	83	4221617612	28 4221 61761 0	2	Lišta	001	
10	83	9974880923	28 9974 88092 0	6	Taž. pružina B2, 2 × 15 × 40E18G	002	
11	83	9980921988	N		Podložka 13 TGL1774STGZNC	002	
12	83	9963949795	N		Závlačka 3,2 × 20 TGL094STGCDC	002	
13	83	9933931796	N		Šroub M10 × 35 TGL0601GZNC	002	
14	83	9965521870	N		Podložka 11 × 25 × 4 FON14510ST	002	
15	83	9971991772	N		Tříhrotý nýt 4 × 12 TGL28838GLNI	013	
16	83	9960919831	N		Podložka 8,4 TGL8328GZNC	003	
17	83	4221617428	28 4221 61742 0	5	Těsnění	002	



TABULKA: 013

STROJ: 4 3 332

SKLÍZEČÍ MLÁTIČKA

E-512

TABULKA: 013

Čís. poz.	Roč.	Katalogové číslo	Obchodní číslo zboží	KZ	Název zboží	Kusy	Provedení
1	83	4221610093	28 4221 61009 0	3	Hřidel	001	
2	83	4221610294	28 4221 61029 0	9	Polovina kotouče	001	
3	83	0202681960	N		Pouzdro vedení	001	
4	83	4221610333	28 4221 61033 0	3	Píst variátoru	003	
5	83	9926868315	28 9926 86831 0	6	Pouzdro 28/36 × 32 TGL6558SE	003	
6	83	4221610341	28 4221 61034 0	2	Pojistná podložka	003	
7	83	4221610300	28 4221 61030 0	6	Polovina klínové řemenice	001	
8	83	4221610390	28 4221 61039 0	7	Trubka	001	
9	83	9920925507	N		Kuželová maznička A8 TGL071412	001	
10	83	9950897738	N		Matice M20 × 1,5 TGL09365GZN	003	
11	83	9935932950	N		Šroub M16 × 1,5 × 35 TGL096188GZN	006	
12	83	9907915711	28 9907 91571 0	0	O-Kroužek 75 × 3 TGL636WS2.055	002	
13	83	4221610108	28 4221 61010 0	0	Těsnící podložka	001	
14	83	9902888094	10 7505 11200 0	7	Axiální ložisko 51120m	001	
15	83	4221610286	28 4221 61028 0	0	Kroužek	001	
16	83	4221610142	28 4221 61014 0	4	Těsnící podložka	001	
17	83	4221610245	28 4221 61024 0	4	Těleso ložiska	001	
18	83	4221610220	28 4221 61022 0	6	Spojovací potrubí	001	
19	83	9969945206	28 9969 94520 0	5	Hrdlo dutého šroubu 8 TGL21620	001	
20	83	9946927508	N		Dutý šroub A8 TGL21619	001	
21	83	9902890956	10 7063 09000 0	2	Kuličkové ložisko 6309 2RS	001	
22	83	4221610253	28 4221 61025 0	3	Rozpěrný kroužek	001	
23	83	9964917867	N		Pojistný kroužek 100 TGL0472	004	
24	83	4221610077	28 4221 61007 0	5	Víko	003	
25	83	4221610261	28 4221 61026 0	2	Rozpěrný kroužek	001	
26	83	4221610060	28 4221 61006 0	6	Skříň ložiska	001	
27	83	4221610212	28 4221 61021 0	7	Pouzdro	002	
28	83	4221610278	28 4221 61027 0	1	Píst (s kuličkou)	002	
29	83	9964917705	N		Pojistný kroužek 32 TGL0472	002	
30	83	9907915383	28 9907 91538 0	1	O-kroužek 32 × 3 TGL6365WS2055	002	
31	83	9907915004	28 9907 91500 0	5	O-Kroužek 22 × 3 TGL6365WS1959	004	
32	83	9950896503	N		Matice M12 TGL09346GZNC	002	
33	83	4221610052	28 4221 61005 0	7	Klínová řemenice	001	
34	83	4221610011	28 4221 61001 0	1	Rozpěrné pouzdro	001	
35	83	9965956710	28 9965 95671 0	9	Hranolové pero A12 × 8 × 100 TGL9500	001	
36	83	9965955404	28 9965 95540 0	7	Klín s nose 12 × 8 × 80 TGL9502	001	
37	83	9930931987	N		Šroub M12 × 35 TGL0558GZNC	008	

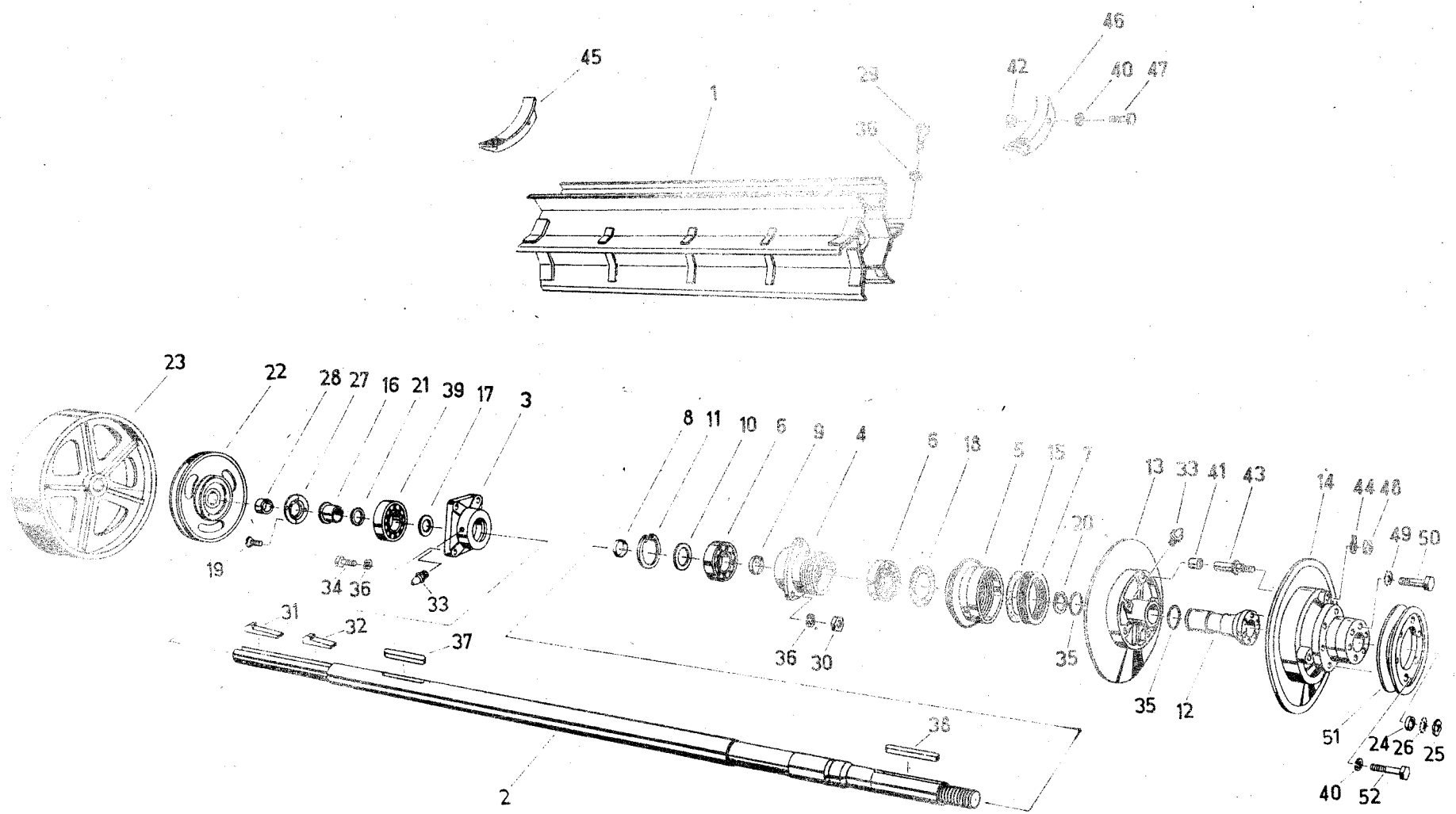


FIG. 2

TABULKA: 014

STROJ: 4 3 332

SKLÍZEČÍ MLÁTIČKA

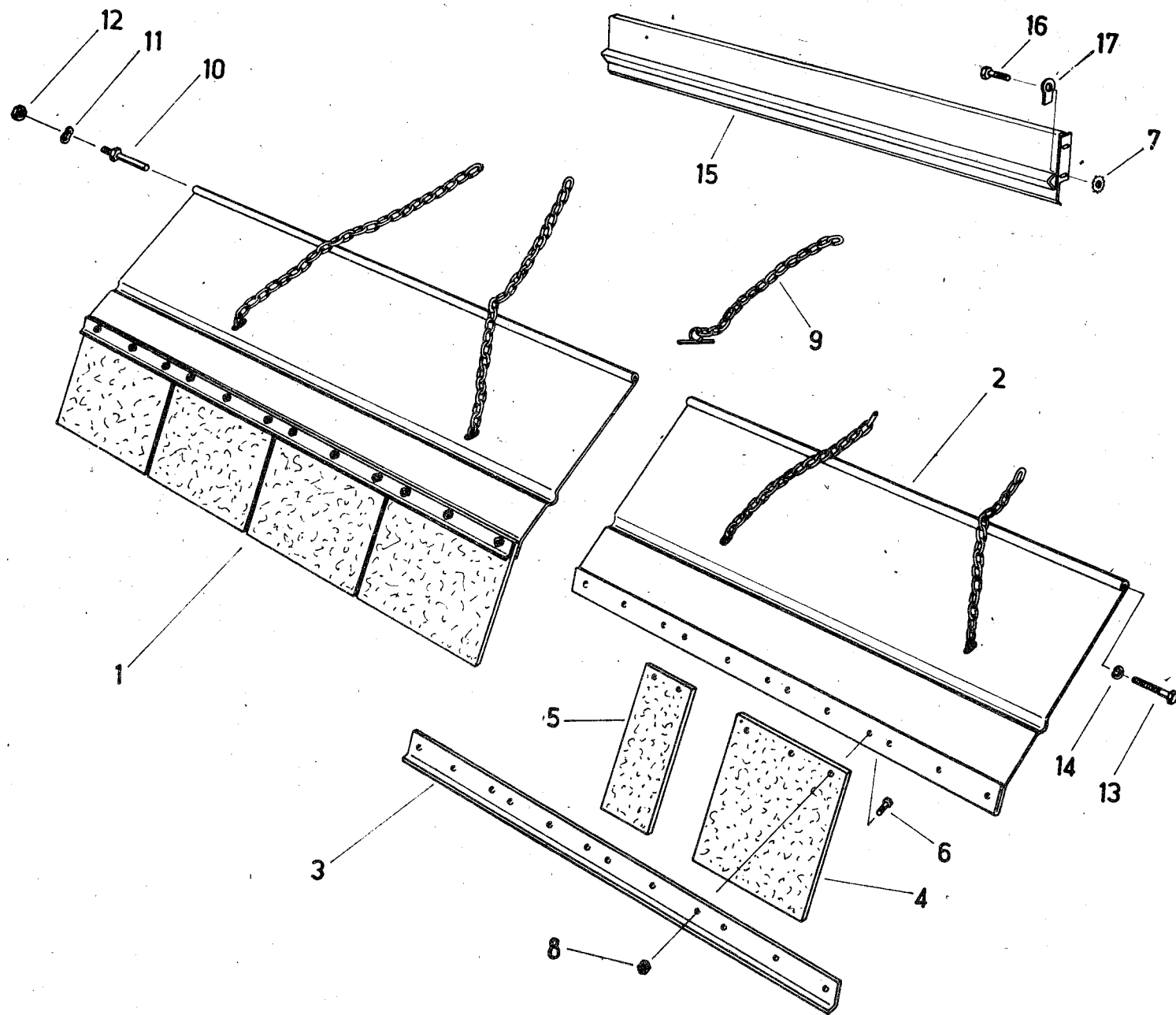
E-512

TABULKA: 014

Čís. poz.	Roč.	Katalogové číslo	Obchodní číslo zboží	KZ	Název zboží	Kusy	Provedení
1	83	4221619936	28 4221 61993 0	2	Buben	001	
2	83	4221619903	28 4221 61990 0	5	Hřídel	001	
3	83	4221619897	28 4221 61989 0	8	Skříň ložiska	001	
4	83	4221620062	28 4221 62006 0	4	Skříň ložiska	001	
5	83	4221620070	28 4221 62007 0	3	Vedení	002	
6	83	9902890964	10 7063 09600 0	6	Kuličkové ložisko 6309 RS	002	
7	83	9902888094	10 7505 11200 0	7	Axiální ložisko 51120	001	
8	83	4221610261	28 4221 61026 0	2	Rozpěrný kroužek	001	
9	83	4221610253	28 4221 61025 0	3	Rozpěrný kroužek	001	
10	83	4221610077	28 4221 61007 0	5	Víko	001	
11	83	9964917867	N		Pojistný kroužek 100 TGL0472	001	
12	83	4221620255	28 4221 62025 0	1	Vodící pouzdro	001	
13	83	4221620167	28 4221 62016 0	2	Polovina klínové řemenice	001	
14	83	4221620206	28 4221 62020 0	6	Polovina klínové řemenice	001	
15	83	4221610108	28 4221 61010 0	0	Těsnící podložka	001	
16	83	9903948852	28 9903 94885 0	3	Upínací pouzdro H312 TGL15520	001	
17	83	9910912168	28 9910 91216 0	3	Plstěný kroužek 55 TGL05419M5	001	
18	83	4221620142	28 4221 62014 0	4	Těsnící podložka	001	
19	83	9941934214	N		Zap. šroub AM5 × 10 TGL568348	004	
20	83	9964917393	N		Pojistný kroužek 75 TGL0471	001	
21	83	9910912151	28 9910 91215 0	4	Plstěný kroužek 60 TGL05419M5	001	
22	83	4221619960	28 4221 61996 0	9	Klínová řemenice	001	
23	83	4221619952	28 4221 61995 0	0	Plocha řemenice	001	
24	83	4221610011	28 4221 61001 0	1	Rozpěrné pouzdro	001	
25	83	9952894967	N		Maticе drážk. BM24 × 1,5 TGL20149	001	
26	83	N	N		Pojistka A24 TGL20150	001	
27	83	4221619985	28 4221 61998 0	7	Víko	001	
28	83	4221619993	28 4221 61999 0	6	Pouzdro	001	
29	83	9932958608	N		Šroub CM12 × 75 TGL093188GZNC	002	
30	83	9950896503	N		Maticе M12 TGL09346GZNC	003	
31	83	9965955582	28 9965 95558 0	7	Klín s nosem 16 × 10 × 140 TGL9502	001	
32	83	9965955566	28 9965 95556 0	9	Klín s nosem 16 × 10 × 70 TGL9502	001	
33	83	9920925507	N		Kuželová maznička A8TGL071412	002	
34	83	9933932028	N		Šroub M12 × 35 TGL09388	004	
35	83	9907915711	28 9907 91571 0	0	O-kroužek 75 × 3 TGL6365WS2055	004	
36	83	9961911204	N		Pružná podložka B12 TGL7403GZN	009	
37	83	9965956928	28 9965 95692 0	4	Hranolové pero A16 × 10 × 70	001	

STROJ: 4 3 332**SKLÍZEČÍ MLÁTIČKA****E-512****TABULKA: 014**

Čís. poz.	Roč.	Katalogové číslo	Obchodní číslo zboží	KZ	Název zboží	Kusy	Provedení
38	83	9965956727	28 9965 95672 0	8	Hranolové pero A12 × 8 × 110	001	
39	83	9902889511	10 7101 31290 0	3	Kuličkové ložisko 1312 K	001	
40	83	9961910968	N		Pružná podložka B8 TGL7403	012	
41	83	9926867330	28 9926 86733 0	5	Pouzdro D28/36R6 × 32 TGL558	003	
42	83	9950895881	N		Matice M8 TGL09346GZN	004	
43	83	4221620247	28 4221 62024 0	2	Čep unašeče	003	
44	83	9962923705	28 9962 92370 0	5	Pojistka A21 TGL0463ST	003	
45	83	4221602864	28 4221 60286 0	0	Kryt	001	
46	83	4221602880	28 4221 60288 0	8	Kryt	001	
47	83	9930929984	N		Šroub M8 × 20 TGL0558GZNC	004	
48	83	9950897738	N		Matice M20 × 1,5 TGL09365GZN	006	
49	83	9961924530	N		Ozub. podložka B16 TGL06797GZNC	006	
50	83	9935932950	N		Šroub M16 × 1,5 × 35 TGL096188GZN	006	
51	83	4221620222	28 4221 62022 0	4	Klínová řemenice	001	
52	83	9932930244	N		Šroub M8 × 35 TGL093188GZNC	008	



TABULKA 15

TABULKA: 015

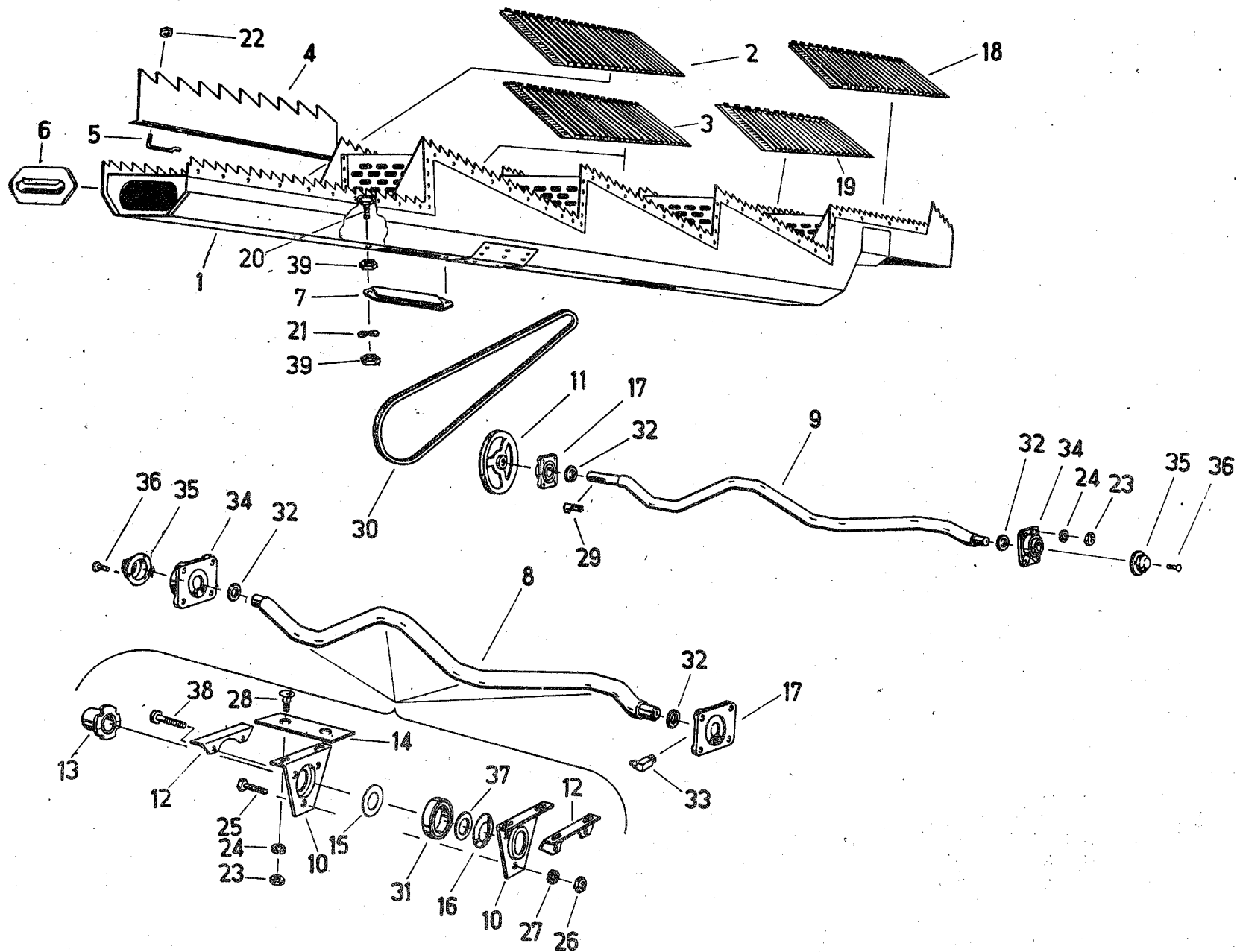
STROJ: 4 3 332

SKLÍZEČÍ MLÁTIČKA

E-512

TABULKA: 015

Čís. poz.	Roč.	Katalogové číslo	Obchodní číslo zboží	KZ	Název zboží	Kusy	Provedení
1	83	4221622337	28 4221 62233 0	9	Záchytná klopna	001	
2	83	4221622345	28 4221 62234 0	8	Vodící klopna	001	
3	83	4221622425	28 4221 62242 0	8	Kolejka	004	
4	83	4221622417	28 4221 62241 0	9	Klopna	004	
5	83	4221622433	28 4221 62243 0	7	Přeplatování	004	
6	83	9930930078	N		Šroub M8 × 25 TGL0558GZNC	012	
7	83	9961924514	N		Ozub. podložka A12 TGL06797GZNC	004	
8	83	9950895881	N		Matice M8 TGL09348GZN	012	
9	83	4221622394	28 4221 62239 0	3	Tažný řetěz	002	
10	83	4221622482	28 4221 62248 0	2	Upevňovací čep	001	
11	83	9961920004	N		Pružná podložka 10 TGL0137GZNC	001	
12	83	9950896118	N		Matice M10 TGL09346GZNC	001	
13	83	N	N		Šroub M10 × 60 TGL0558GZNC	001	
14	83	9961911085	N		Pružná podložka B10 TGL7403GZN	001	
15	83	4221626742	28 4221 62674 0	6	Oddělovací plech	001	
16	83	9930931786	N		Šroub M12 × 20 TGL0558GZNC	004	
17	83	9962923850	28 9962 92385 0	8	Pojistka 16 TGL20150GZNC	004	



TABULKA 16

TABULKA: 016

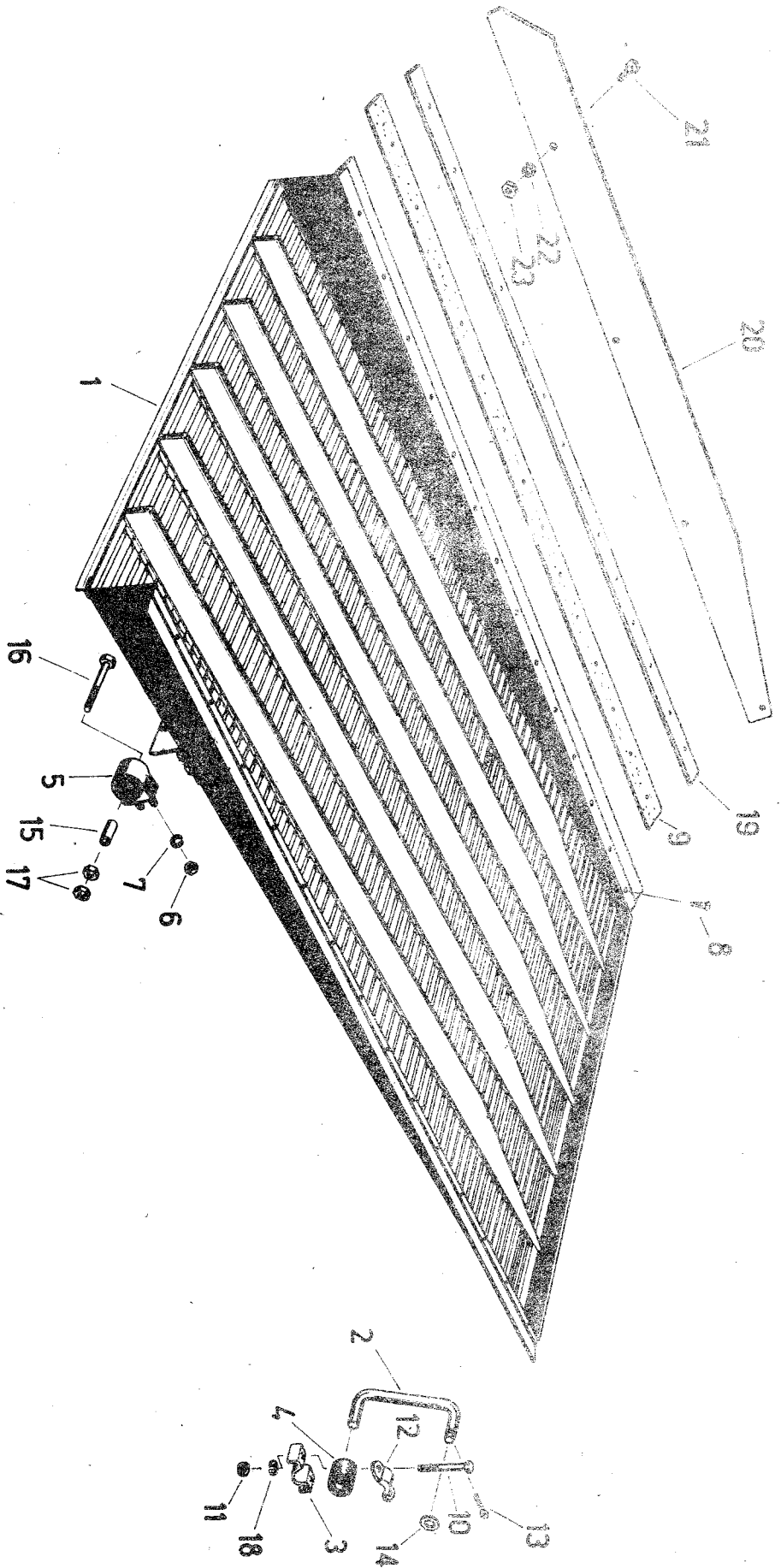
STROJ: 4 3 332

SKLÍZEČÍ MLÁTIČKA

E-512

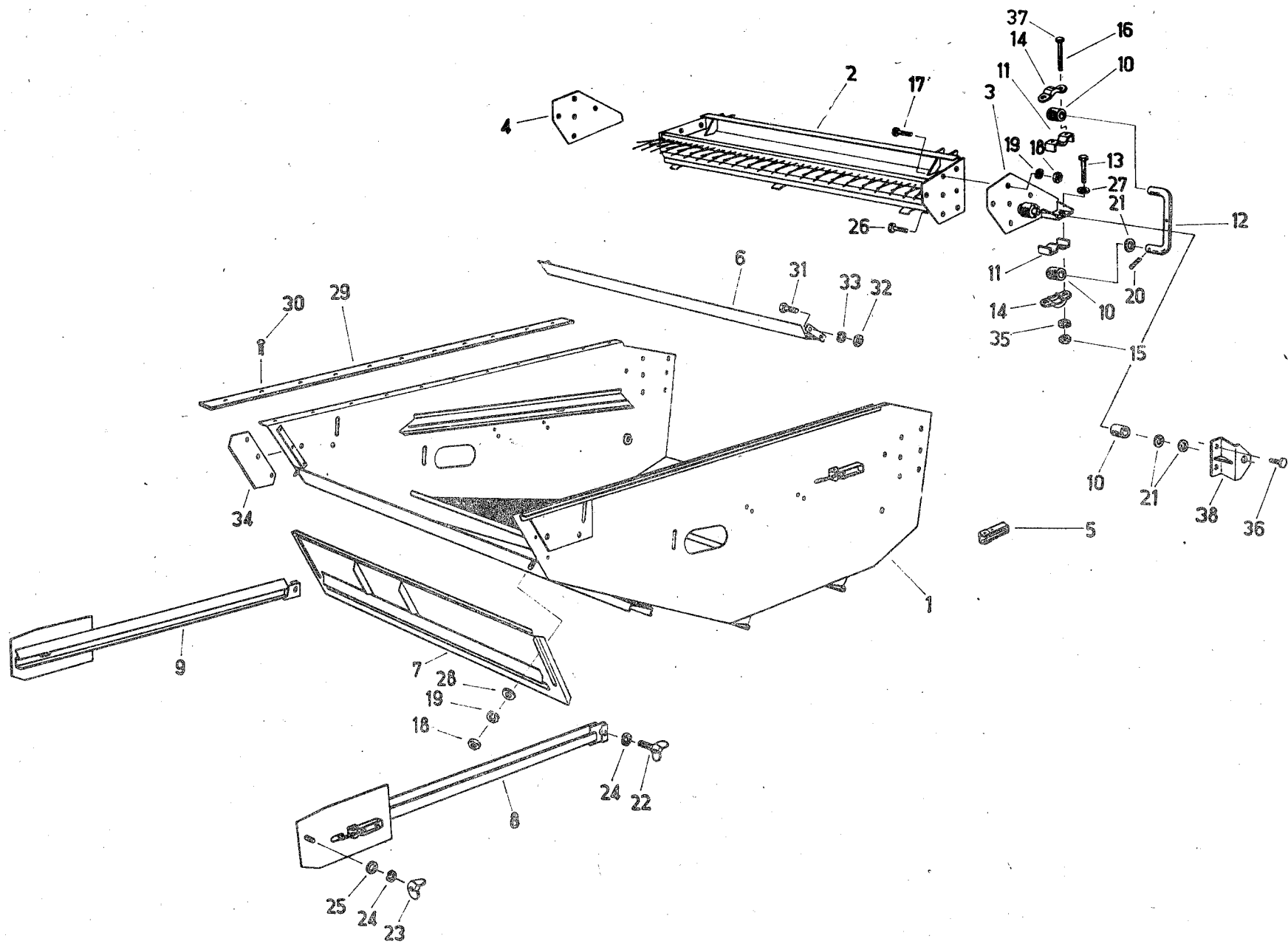
TABULKA: 016

Čís. poz.	Koč.	Katalogové číslo	Obchodní číslo zboží	KZ	Název zboží	Kusy	Provedení
1	83	4221620528	28 4221 62052 0	8	Výtřeska vytrásadla	004	
2	83	4221620624	28 4221 62062 0	6	Obložení vytrásadla	004	
3	83	4221620632	28 4221 62063 0	5	Obložení vytrásadla	016	
4	83	4221620681	28 4221 62068 0	0	Dopravní kolejka	016	
5	83	4221620704	28 4221 62070 0	6	Třmenový šroub	032	
6	83	4221620720	28 4221 62072 0	4	Víko	004	
7	83	0202683800	N		Víko	008	
8	83	4221620761	28 4221 62076 0	0	Klikový hřídel. krátký	001	
9	83	4221620778	28 4221 62077 0	9	Klikový hřídel. dlouhý	001	
10	83	4221620874	28 4221 62087 0	7	Polovina skříně	016	
11	83	4221620585	28 4221 62058 0	2	Klínová řemenice	001	
12	83	4221620890	28 4221 62089 0	5	Výztuž	016	
13	83	4221620905	28 4221 62090 0	2	Upínací pouzdro	008	
14	83	4221620593	28 4221 62059 0	1	Podložka	008	
15	83	4221620882	28 4221 62088 0	6	Podložka	008	
16	83	4221620970	28 4221 62097 0	5	Podložka	008	
17	83	9902888287	10 7910 12060 0	6	Přírubové ložisko FGE206	002	
18	83	4221620640	28 4221 62064 0	4	Obložení vytrásadla	004	
19	83	4221620657	28 4221 62065 0	3	Obložení vytrásadla	004	
20	83	9933929651	N		Šroub M6 x 14 TGL093388GZNC	016	
21	83	9961919927	N		Pružná podložka 6 TGL0137GZN	016	
22	83	9934893685	N		Maticе M6 TGL276898GZNC	032	
23	83	9950896118	N		Maticе M10 TGL09346GZNC	044	
24	83	9961911085	N		Pružná podložka B10 TGL74034GZN	048	
25	83	9933929860	N		Šroub M8 x 16 TGL093388GZNC	008	
26	83	9950895881	N		Maticе M8 TGL09346GZN	024	
27	83	9961910976	N		Pružná podložka B8 TGL7403GZNC	024	
28	83	9945926307	N		Šroub M10 x 25 TGL0693GZNC	048	
29	83	9965955211	28 9965 95521 0	0	Klín s nosem 8 x 7 x 50 TGL9502	001	
30	83	9911861508	28 9911 86150 0	1	Klínový řemen SPBLW2500	001	
31	83	9902890587	10 7062 09730 0	1	Kuličkové ložisko 6209 KC3 2RS	008	
32	83	4221620737	28 4221 62073 0	3	Příložka	000	
33	83	9920925548	N		Kuželová maznička C8 TGL071412	001	
34	83	4221620745	28 4221 62074 0	2	Ložisko	002	
35	83	4221620608	28 4221 62060 0	8	Ochranné víko	002	
36	83	9967884202	N		Rýhovaný hřeb 2,5 x 8 TGL01476	006	
37	83	4221620987	28 4221 62098 0	4	Kroužek	008	
38	83	9933930001	N		Šroub M8 x 20 TGL093388GZNC	016	
39	83	9950895711	N		Maticе M6 TGL09346GZNC	032	



TABULKA: 017**STROJ: 4 3 332****SKLÍZECÍ MLÁTIČKA****E-512****TABULKA: 017**

Čís. poz.	Roč.	Katalogové číslo	Obchodní číslo zboží	KZ	Název zboží	Kusy	Provedení
1	83	4221621127	28 4221 62112 0	5	Vynášecí deska	001	
2	83	4221621352	28 4221 62135 0	8	Zavěšení	002	
3	83	4221621424	28 4221 62142 0	9	Ložisková část	004	
4	83	4221621408	28 4221 62140 0	1	Gumové ložisko	004	
5	83	4221621713	28 4221 62171 0	4	Kloub	004	
6	83	9950896118	N		Matice M10 TGL09346GZN	004	
7	83	9961911085	N		Pružná podložka B10 TGL7402GZN	028	
8	83	9971901772	N		Tříhrotý nýt 4 × 12 TGL28838GNI	002	
9	83	4221621721	28 4221 62172 0	3	Těsnění	008	
10	83	9932930478	N		Šroub M8 × 60 TGL093188GZNC	008	
11	83	9950895881	N		Matice M8 TGL09346GZN	008	
12	83	4221621440	28 4221 62144 0	7	Spona	004	
13	83	9963950258	N		Závlačka 5 × 30 TGL094STGCDC	002	
14	83	9960922546	N		Podložka 21 TGL8328GZN	002	
15	83	4221621416	28 4221 62141 0	0	Pouzdro	002	
16	83	9932959385	N		Šroub M12 × 80 TGL093188GZNC	004	
17	83	9950896503	N		Matice M12 TGL09346GZNC	008	
18	83	9961910976	N		Pružná podložka B8 TGL7403GZNC	008	
19	83	4221622193	28 4221 62219 0	7	Kolejka	002	



TABULKA 18

TABULKA: 018

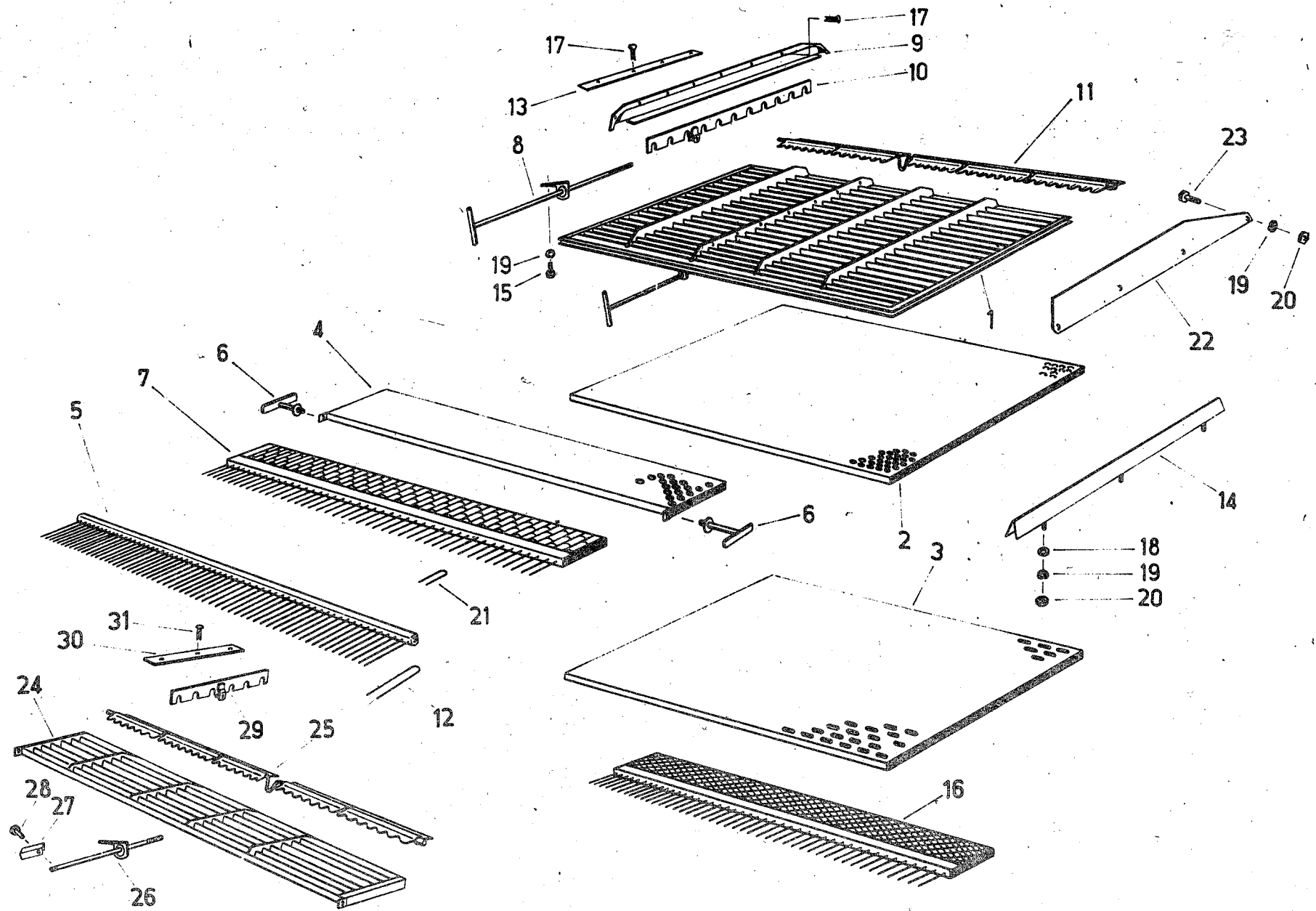
STROJ: 4 3 332

SKLÍZECÍ MLÁTIČKA

E-512

TABULKA: 018

Čís. poz.	Roč.	Katalogové číslo	Obchodní číslo zboží	KZ	Název zboží	Kusy	Provedení
1	83	4221621473	28 4221 62147 0	4	Skříň	001	
2	83	4221621512	28 4221 62151 0	8	Příčné spojení	001	
3	83	4221621578	28 4221 62157 0	2	Unašeč pravý	001	
4	83	4221621544	28 4221 62154 0	5	Unašeč levý	001	
5	83	4221621498	28 4221 62149 0	2	Uzávěrová část	004	
6	83	4221621705	28 4221 62170 0	5	Usměrňovač	002	
7	83	4221621674	28 4221 62167 0	0	Šoupátko	001	
8	83	4221621658	28 4221 62165 0	2	Vedení síta pravé	001	
9	83	4221621625	28 4221 62162 0	5	Vedení síta levé	001	
10	83	4221621408	28 4221 62140 0	1	Gumové ložisko	008	
11	83	4221621424	28 4221 62142 0	9	Ložisková část	008	
12	83	4221621377	28 4221 62137 0	6	Zavěšení	004	
13	83	9932933778	N		Šroub M8 × 55 TGL093188GZNC	016	
14	83	4221621440	28 4221 62144 0	7	Spona	008	
15	83	9950895881	N		Matice M8 TGL09346GZN	016	
16	83	9932930478	N		Šroub M8 × 60 TGL093188GZNC	004	
17	83	9930959811	N		Šroub M12 × 25 TGL0558GZNC	002	
18	83	9950896503	N		Matice M12 TGL09346GZNC	016	
19	83	9961911204	N		Pružná podložka B12 TGL7403GZN	016	
20	83	9963950258	N		Závlačka 5 × 30 TGL094STGCDC	004	
21	83	9960923401	N		Podložka 21 TGL17774-STGZNC	008	
22	83	9944926830	N		Kříd. šroub M10 × 20 TGL0316GZNC	002	
23	83	9951893805	N		Křídlatá matice M10 TGL0315	002	
24	83	9961911085	N		Pružná podložka B10 TGL7403GZN	004	
25	83	9961921970	N		Podložka A11,5 TGL0440STGZNC	012	
26	83	9930931882	N		Šroub M12 × 30 RGL0558GZNC	012	
27	83	9960919831	N		Podložka 8,4 TGL8328GZNC	016	
28	83	9961922088	N		Podložka A14 TGL0440STGZNC	002	
29	83	4221621586	28 4221 62158 0	1	Těsnění	002	
30	83	9971901772	N		Tříhrotý nýt 4 × 12 TGL28838GNI	028	
31	83	9930929404	N		Šroub M6 × 20 TGL0558GZNC	008	
32	83	9950895711	N		Matice M6 TGL09346GZNC	008	
33	83	9961910847	N		Pružná podložka B6 TGL7403GZNC	008	
34	83	4221621594	28 4221 62159 0	0	Těsnění	002	
35	83	9961910976	N		Pružná podložka B8 TGL7403GZNC	016	+
36	83	9932932607	N		Šroub M12 × 35 TGL093188GZNC	004	



TABULKA 19

TABULKA: 019

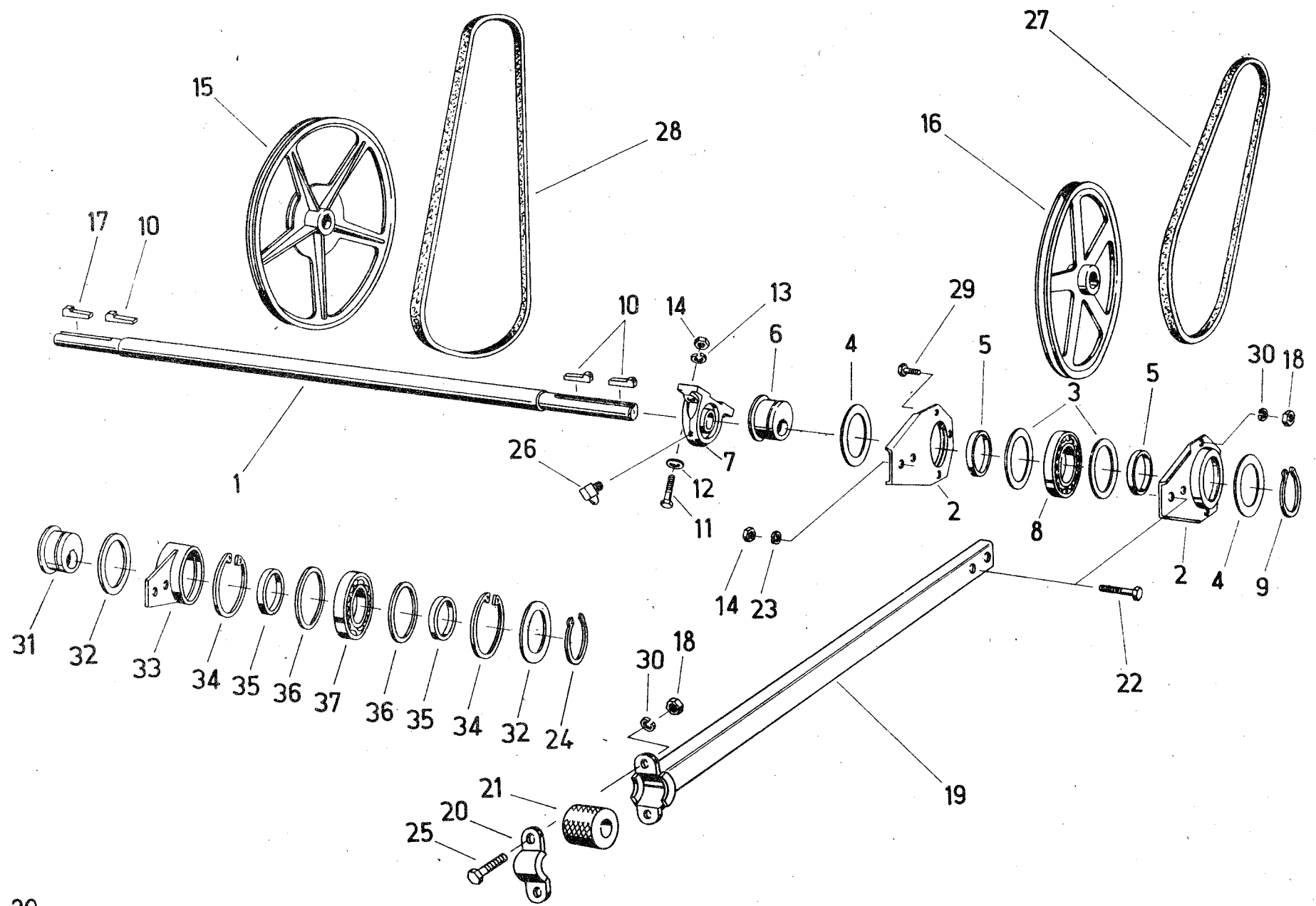
STROJ: 4 3 332

SKLÍZEČÍ MLÁTIČKA

E-512

TABULKA: 019

Čís. poz.	Roč.	Katalogové číslo	Obchodní číslo zboží	KZ	Název zboží	Kusy	Provedení
1	83	4221621135	28 4221 62113 0	4	Klopné síto	001	
2	83	4221639417	28 4221 63941 0	0	Děrované síto prům.2,5	001	
2A	83	4221639458	28 4221 63945 0	6	Děrované síto prům. 3	001	
2B	83	4221621883	28 4221 62188 0	5	Děrované síto prům. 4,5	001	
2C	83	4221621914	28 4221 62191 0	0	Děrované síto prům. 6,3	001	
2D	83	4221621947	28 4221 62194 0	7	Děrované síto prům. 9	001	
2E	83	4221621971	28 4221 62197 0	4	Děrované síto prům. 12,5	001	
2F	83	4221639618	28 4221 63961 0	6	Děrované síto prům. 16	001	
2G	83	4221639490	28 4221 63949 0	2	Děrované síto prům. 20	001	
2H	83	4221639706	28 4221 63970 0	5	Děrované síto prům. 1,5	001	
3	83	4221622007	28 4221 62200 0	8	Děrované síto 4,5 × 20	001	
3A	83	4221639570	28 4221 63957 0	2	Děrované síto 6 × 20	001	
4	83	4221621280	28 4221 62128 0	7	Síto na krátkou slámu	001	
5	83	4221650670	28 4221 65067 0	5	Česla na klásky	001	
6	83	4221621344	28 4221 62134 0	9	Šroub s roubíkem	002	
7	83	4221621311	28 4221 62131 0	2	Česla na klásky	001	
8	83	4221621867	28 4221 62186 0	7	Přestavení	001	
9	83	4221621850	28 4221 62185 0	8	Kryt	002	
10	83	4221621826	28 4221 62182 0	1	Řídicí hradítko	002	
11	83	4221621746	28 4221 62174 0	1	Klapka	062	
12	83	4221621432	28 4221 62143 0	8	Ozub	030	
13	83	4221621795	28 4221 62179 0	6	Uhelník	016	
14	83	4221650590	28 4221 65059 0	5	Vodící lišta	004	
15	83	9933957815	N		Šroub M6 × 16 TGL093348GZNC	004	
17	83	9971901764	N		Tříhrotý nýt 4 × 8 TGL28838GNI	057	
18	83	9961921608	N		Podložka A7 TGL0440GZNC	012	
19	83	9961910847	N		Pružná podložka B6 TGL7403GZNC	048	
20	83	9950895711	N		Maticе M6 TGL09346GZNC	040	
21	83	4221621520	28 4221 62152 0	7	Ozub	030	



TABULKA 20

TABULKA: 020

STROJ: 4 3 332

SKLÍZEČÍ MLÁTIČKA

E-512

TABULKA: 020

Čís. poz.	Roč.	Katalogové číslo	Obchodní číslo zboží	KZ	Název zboží	Kusy	Provedení
1	83	4221622031	28 4221 62203 0	5	Hřídel	001	
2	83	4221622072	28 4221 62207 0	1	Polovina skříně	004	
3	83	4221622097	28 4221 62209 0	9	Těsnící podložka	004	
4	83	4221622185	28 4221 62218 0	8	Podložka	004	
5	83	4221622177	28 4221 62217 0	9	Rozpěrný kroužek	004	
6	83	4221622128	28 4221 62212 0	4	Excentr	002	
7	83	9902891860	10 7910 32070 0	2	Štované ložisko SGE207	002	
8	83	9902890152	10 7060 15000 0	5	Kuličkové ložisko 6015	002	
9	83	9964917393	N		Pojistný kroužek 75 TGL0471	002	
10	83	9965955308	28 9965 95530 0	9	Klín s nosem 10 × 8 × 56 TGL9502	003	
11	83	9934959141	N		Šroub M12 × 45 TGL093188GZNC	004	
12	83	9960922031	N		Podložka 13 TGL8328GZNC	008	
13	83	9961911204	N		Pružná podložka B12 TGL7403GZNC	004	
14	83	9950896503	N		Matice M12TGL09346GZNC	008	
15	83	4221621264	28 4221 62126 0	9	Klínová řemenice	001	
16	83	4221621223	28 4221 62122 0	3	Klínová řemenice	001	
17	83	9965955316	28 9965 95531 0	8	Klín s nosem 10 × 8 × 63 TGL9502	001	
18	83	9950895881	N		Matice M8 TGL09346GZNC	010	
19	83	4221621465	28 4221 62146 0	5	Vyrážecí tyč	002	
20	83	4221621440	28 4221 62144 0	7	Spona	002	
21	83	4221621408	28 4221 62140 0	1	Gumové ložisko	002	
22	83	9933931863	N		Šroub M12 × 25 TGL093388GZNC	004	
23	83	9961911204	N		Pružná podložka B12 TGL7403GZNC	004	
25	83	9932958448	N		Šroub M8 × 30 TGL093188GZNC	004	
26	83	9920925548	N		Kuželová maznička C8 TGL071412	002	
27	83	9911861493	28 9911 86149 0	4	Klínový řemen SPBX1750	001	
28	83	9911861557	10 6011 63172 0	1	Klínový řemen SPBX3150	001	
29	83	9930929871	N		Šroub M8 × 16 TGL0558GZNC	006	
30	83	9961910976	N		Pružná podložka B8 TGL7403GZNC	010	

TABULKA 021

STROJ: 4 3 332

SKI ŽECÍ MLÁTIČKA

E-512

TABULKA 021

Čís. poz.	Ref.	Katalogové číslo	Obchodní číslo zboží	KZ	Název zboží	Kusy	Prostředí
1	83	4221622401	28 4221 62240 0	6	Lopatkové kolo	001	
2	83	4221622835	28 4221 62283 0	9	Lopatka	006	
3	83	4221639650	28 4221 63965 0	2	Kryt fukaru	002	
4	83	4221622868	28 4221 62286 0	6	Hřídcl větráku	001	
5	83	4221679561	28 4221 67956 0	4	Spodní část	001	
6	83	4221622634	28 4221 62263 0	3	Horní část skříňe	001	
7	83	4221622691	28 4221 62269 0	7	Kotouč variátoru	001	
8	83	4221622747	28 4221 62274 0	0	Regulační kotouč	001	
9	83	4221622730	28 4221 62273 0	1	Pevný kotouč	001	
10	83	4221622722	28 4221 62272 0	2	Čep	002	
11	83	4221622763	28 4221 62276 0	8	Miska pružiny	001	
12	83	4221622796	28 4221 62279 0	5	Tlačná pružina	001	
13	83	9967943665	N		Val. rýh. kolík 8 × 40 TGL014735.8	001	
14	83	9902891866	10 7910 20076 0	2	Stojaté ložisko SGE207	002	
15	83	9920922907	N		Kuželová maznička A8 TGL071412	002	
16	83	9965959132	28 9965 95913 0	9	Hnanéové pero A8 × 7 × 63 TGL9500	001	
17	83	9934959141	N		Šroub M12 × 45 TGL093188GZNC	004	
18	83	995089503	N		Matice M12 TGL09346GZNC	010	
19	83	9932922607	N		Šroub M12 × 35 TGL093188GZNC	002	
20	83	9960922931	N		Podložka 13 TGL8328GZNC	016	
21	83	9950895881	N		Matice M8 TGL09346GZNC	014	
22	83	9961910976	N		Pružná podložka B8 TGL7403GZNC	010	
23	83	9960919831	N		Podložka 8,4 TGL8328GZNC	011	
24	83	9930929228	N		Šroub M6 × 12 TGL0558GZNC	012	
25	83	9950895711	N		Matice M6 TGL09346GZNC	012	
26	83	9961910847	N		Pružná podložka B6 TGL 7403GZNC	012	
27	83	4221622802	28 4221 62280 0	2	Kryt	002	
28	83	4221622907	28 4221 62290 0	0	Klapka dmýchaného vzduchu	001	
29	83	9944922822	N		Kříd. šroub M8 × 20 TGL0316GZNC	004	
30	83	9961921673	N		Podložka A9,5 TGL0440GZNC	004	
31	83	9933921910	N		Šroub M12 × 30 TGL093389GZNC	002	
32	83	9933921123	N		Šroub M10 × 30 TGL093388GZNC	024	
33	83	N	N		Matice M10 TGL276898GZNC	024	
34	83	9960962047	N		Podložka 10,5 TGL8328 GZNC	024	
35	83	4221613223	28 4221 61322 0	3	Podložka	001	
36	83	4221613231	28 4221 61323 0	2	Čep	002	
37	83	4221613248	28 4221 61324 0	1	Klínová řemenice	001	

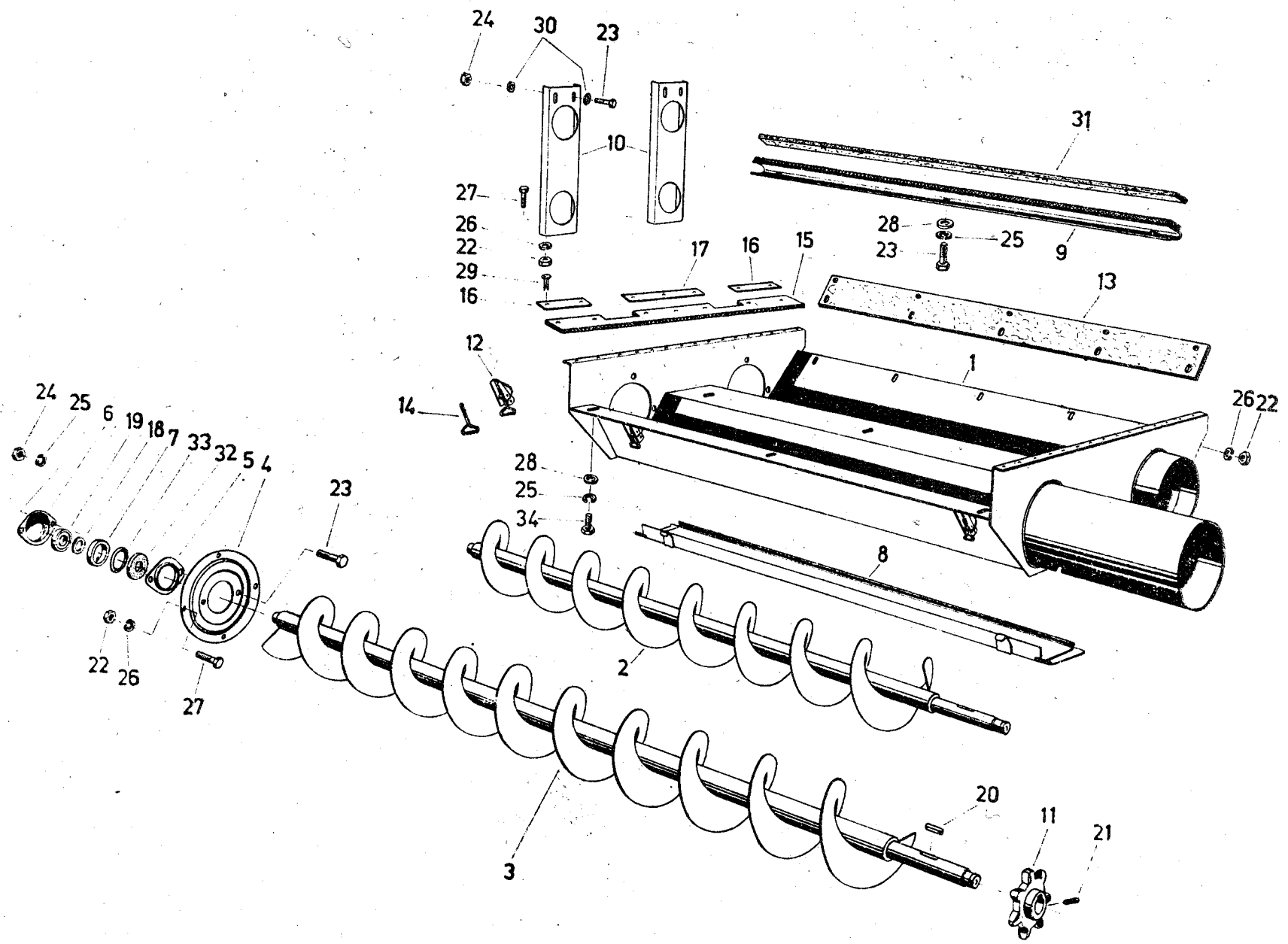
STROJ: 4 3 332

SKLÍZECÍ MLÁTIČKA

E-512

TABULKA: 021

Čís. poz.	Roč.	Katalogové číslo	Obchodní číslo zboží	KZ	Název zboží	Kusy	Provedení
38	83	4221613256	28 4221 61325 0	0	Rozpěrné pouzdro	002	
39	83	4221613264	28 4221 61326 0	9	Regulační podložka	001	
40	83	4221613280	28 4221 61328 0	7	Kozlík ložiska	001	
41	83	4221633465	28 4221 63346 0	1	Rozpěrné pouzdro	001	
42	83	4221613457	28 4221 61345 0	6	Vřeteno	001	
43	83	9933929860	N		Šroub M8 × 16 TGL093388GZNC	011	
44	83	4221613344	28 4221 61334 0	9	Talíř se zářezy	001	
45	83	9902890482	10 7062 06700 0	3	Kuličkové ložisko 6206 2RS	001	
46	83	4221613408	28 4221 61340 0	1	Aretační páka	001	
47	83	4221613424	28 4221 61342 0	9	Listové pero	001	
48	83	4221613432	28 4221 61343 0	8	Rozpěrné pouzdro	001	
49	83	4221613440	28 4221 61344 0	7	Těsnící podložka	002	
50	83	9902890474	10 7062 06600 0	4	Kuličkové ložisko 6206 RS	002	
51	83	4221613207	28 4221 61320 0	5	Rozpěrný kroužek	001	
52	83	9933930114	N		Šroub M8 × 30 TGL0558	001	
53	83	9961911204	N		Pružná podložka B12 TGL7403GZN	010	
54	83	9920925515	N		Kuželová maznička B8 TGL071412	001	
55	83	4221668173	28 4221 66 817 0	5	Klínový řemen 36 × 14 × 1140LI	001	
56	83	4221669012	28 4221 66901 0	2	Kryt levý	001	
57	83	4221669020	28 4221 66902 0	1	Držení	001	
58	83	4221669301	28 4221 66930 0	7	Kryt pravý	001	
59	83	0202697910	N		Držák	001	
60	83	9920925548	N		Kuželová maznička C8 TGL071412	001	
61	83	4221669053	28 4221 66905 0	8	Držení	001	



TABULKA 22

TABULKA: 022

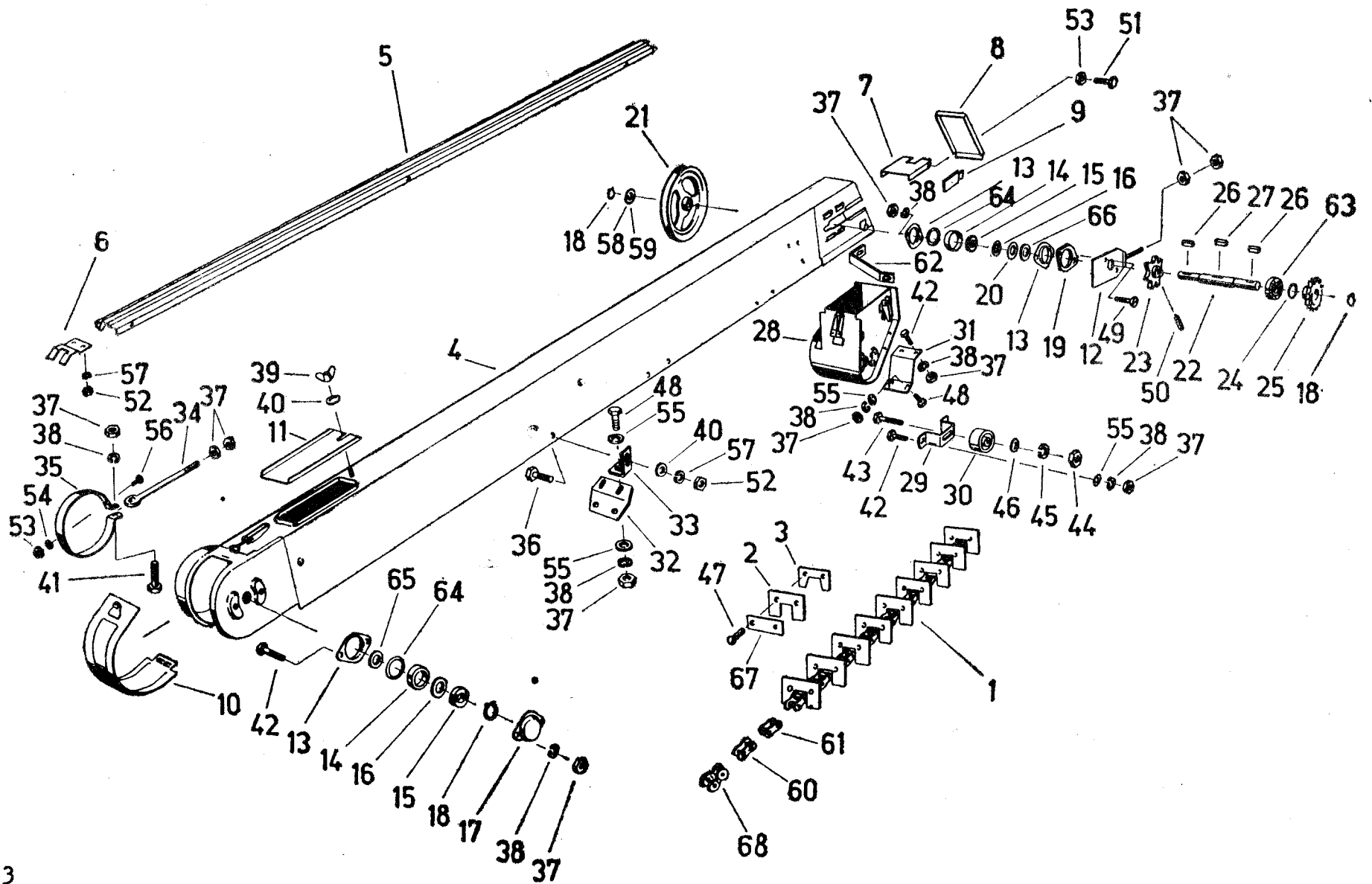
STROJ: 4 3 332

SKLÍZECÍ MLÁTIČKA

E-512

TABULKA: 022

Čís. poz.	Roč.	Katalogové číslo	Obchodní číslo zboží	KZ	Název zboží	Kusy	Provedení
1	83	4221622923	28 4221 62292 0	8	Skříň	001	
2	83	4221623354	28 4221 62335 0	6	Šnek na zrno	001	
3	83	4221623387	28 4221 62338 0	3	Šnek na klásky	001	
4	83	4221622972	28 4221 62297 0	3	Víko	002	
5	83	4221623032	28 4221 62303 0	4	Ložisková pánev	002	
6	83	4221623040	28 4221 62304 0	3	Ložisková pánev	002	
7	83	4221623073	28 4221 62307 0	0	Záchytný kroužek	002	
8	83	4221623305	28 4221 62330 0	1	Klapka	002	
9	83	4221623024	28 4221 62302 0	5	Uhelník	002	
10	83	4221622980	28 4221 62298 0	2	Zavěšení	004	
11	83	4221623362	28 4221 62336 0	5	Řetězové kolo	002	
12	83	4221623258	28 4221 62325 0	8	Uzávěr	006	
13	83	4221623217	28 4221 62321 0	2	Gumový pás	001	
14	83	4221623274	28 4221 62327 0	6	Tažný hák	006	
15	83	4221623161	28 4221 62316 0	9	Těsnění	002	
16	83	4221623145	28 4221 62314 0	1	Uhelník	004	
17	83	4221623153	28 4221 62315 0	0	Uhelník	002	
18	83	4110088233	28 4110 08823 0	4	Těsnící podložka	002	
19	83	9902890441	10 7062 05600 0	6	Kuličkové ložisko 6205RS	002	
20	83	N	N		Hranolové pero A8H9 × 7 × 36	002	
21	83	9947940377	N		Závitový kolík M8 × 12TGL0914GZNC	002	
22	83	9950895881	N		Matice M8 TGL09346GZN	021	
23	83	9933930942	N		Šroub M10 × 20 TGL093388GZNC	015	
24	83	9950896118	N		Matice M10 TGL09346GZN	012	
25	83	9961911085	N		Pružná podložka B10 TGL7403GZN	010	
26	83	9961910976	N		Pružná podložka B8 TGL7403GZNC	021	
27	83	9933929860	N		Šroub M8 × 16 TGL093388GZNC	016	
28	83	9960962047	N		Podložka 10,5 TGL8328GZNC	006	
29	83	9971901772	N		Tříhrotý nýt 4 × 12 TGL288386NI	014	
30	83	9961920166	N		Pružná podložka 10 TGL2927GZNC	016	
31	83	4221623016	28 4221 62301 0	6	Plstěný pás	002	
32	83	4221623104	28 4221 62310 0	5	Těsnící kroužek	002	
33	83	9907913984	28 9907 91398 0	1	O-Kroužek 56 × 3 TGL6365WS2.055	002	
34	83	9933957944	N		Šroub M10 × 25 TGL 093388GZNC	003	



TABULKA 23

TABULKA: 023

STROJ: 4 3 332

SKLÍZECÍ MLÁTIČKA

E-512

TABULKA: 023

Čís. poz.	Roč.	Katalogové číslo	Obchodní číslo zboží	KZ	Název zboží	Kusy	Provedení
0	83	4221625315	28 4221 62531 0	8	Elevátor klasu kompletní	001	
1A	83	4221625733	28 4221 62573 0	8	Řetěz elevátoru	001	
2	83	4221667992	28 4221 66799 0	8	Unašec	036	
3	83	4221624724	28 4221 62472 0	0	Příložka	036	
4	83	4221624400	28 4221 62440 0	8	Skříň	001	
5	83	4221624468	28 4221 62446 0	2	Vodící kolejka	001	
6	83	4221624105	28 4221 62410 0	4	Vedení	001	
7	83	4221624580	28 4221 62458 0	8	Hlava kolejky	001	
8	83	4221623908	28 4221 62390 0	9	Víko	001	
9	83	4221623957	28 4221 62395 0	4	Kryt	002	
10	83	4221623981	28 4221 62398 0	1	Klapka	001	
11	83	4221624066	28 4221 62406 0	0	Víko	001	
12	83	4221624556	28 4221 62455 0	1	Jezdec	002	
13	83	4221623032	28 4221 62303 0	4	Ložisková pánev	005	
14	83	4221623073	28 4221 62307 0	0	Záchytný kroužek	001	
15	83	9902890441	10 7062 05600 0	6	Kuličkové ložisko 6205 RS	002	
16	83	4221624162	28 4221 62416 0	8	Těsnící podložka	003	
17	83	4221623040	28 4221 62304 0	3	Ložisková pánev	001	
18	83	9964917192	N		Pojistný kroužek 25 TGL047	003	
19	83	4221623627	28 4221 62362 0	3	Rozpěrný kroužek	002	
20	83	4110088233	28 4110 08823 0	4	Těsnící podložka	002	
21	83	4221625620	28 4221 62562 0	1	Klínová řemenice	001	
22	83	4221625637	28 4221 62563 0	0	Hřídel pohonu	001	
23	83	4221623362	28 4221 62336 0	5	Řetězové kolo	001	
24	83	4221624314	28 4221 62431 0	9	Rozpěrná podložka	002	
25	83	4221624322	28 4221 62432 0	8	Řetězové kolo	001	
26	83	9965956124	28 996595612 0	0	Hranolové pero A8 × 7 × 32 TGL9500	002	
27	83	9965956132	28 9965 95613 0	9	Hranolové pero A8 × 7 × 36 TGL9500	001	
28	83	4221624812	28 4221 62481 0	9	Vyhazovací hlava	001	
29	83	4221625700	28 4221 62570 0	1	Trmen	001	
30	83	4221625725	28 4221 62572 0	9	Napínací špalík	001	
31	83	4221625508	28 4221 62550 0	5	Vzpěra	002	
32	83	4221625477	28 4221 62547 0	0	Úhelník	001	
33	83	4221624234	28 4221 62423 0	9	Úhelník	002	
34	83	4221625428	28 4221 62542 0	5	Naviják	001	
35	83	4221625452	28 4221 62545 0	2	Spona	001	
36	83	9933930001	N		Šroub M8 × 20 TGL093388GZNC	002	

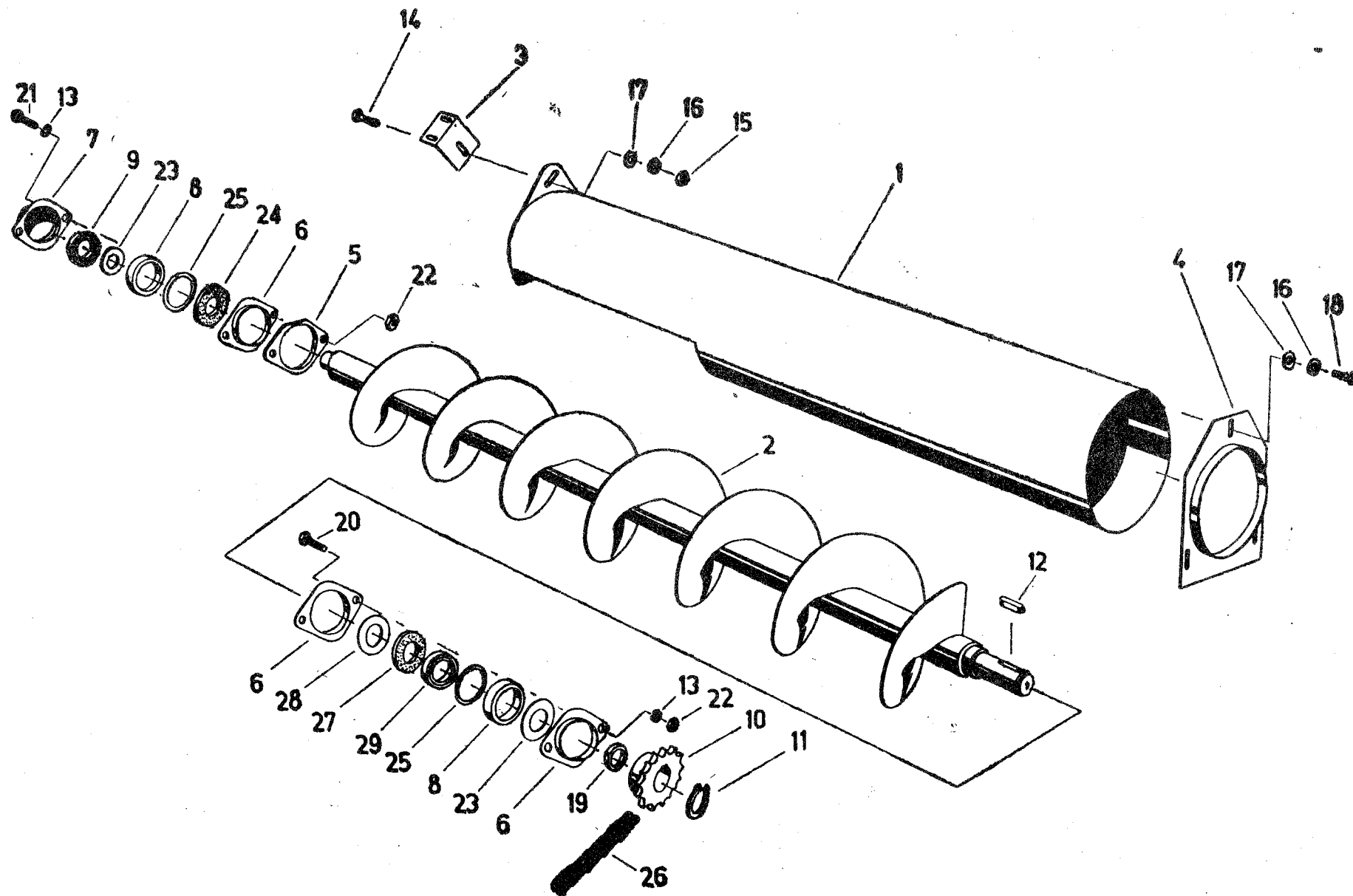
STROJ: 4 3 332

SKLÍZECÍ MLÁTIČKA

E-512

TABULKA: 023

Čís. poz.	Roč.	Katalogové číslo	Obchodní číslo zboží	KZ	Název zboží	Kusy	Provedení
37	83	9950896118	N		Matice M10 TGL09346GZN	027	
38	83	9961911085	N		Pružná podložka B10TGL7403GZNC	019	
39	83	9951893790	N		Křídlatá matice M8 TGL0315	001	
40	83	9960919831	N		Podložka 8,4 TGL8328GZNC	003	
41	83	9933931123	N		Šroub M10 × 30 TGL093388GZNC	001	
42	83	9933930942	N		Šroub M10 × 20 TGL093388GZNC	004	
43	83	9933932317	N		Šroub M12 × 60 TGL093388GZNC	001	
44	83	9950896503	N		Matice M12 TGL09346GZNC	001	
45	83	9961911204	N		Pružná podložka B12 TGL7403GZN	001	
46	83	9960922031	N		Podložka 13 TGL8328GZNC	001	
47	83	9971900570	N		Nýt A 6 × 20 TGL07338ST34U-2	072	
48	83	9933931027	N		Šroub M10 × 25 TGL093388GZNC	004	
49	83	9941934134	N		Zap. šroub AM10 × 30 TGL566348	004	
50	83	9947940248	N		Závitový kolík M8 × 12TGL0553GZNC	001	
51	83	9930959877	N		Šroub M625 TGL0558GZNC	002	
52	83	9950895881	N		Matice M8 TGL09346GZN	004	
53	83	9950895711	N		Matice M6 TGL09346GZN	003	
54	83	9961910847	N		Pružná podložka B6 TGL7403GZN	002	
55	83	9960962047	N		Podložka 10,5 TGL8328GZNC	010	
56	83	9933929313	N		Šroub M6 × 16 TGL093388GZNC	001	
57	83	9961910976	N		Pružná podložka B8 TGL7403GZNC	004	
58	83	9965920708	N		Líc. podložka 27 × 1 TGL10404ST	000	
59	83	9965922855	N		Podložka 26 × 36 × 2 FON14510GZNC	000	
60	83	9917905757	28 9917 90575 0	7	Nasouvací článek 1E41,3 × 21,4	001	
61	83	N	N		Vnitřní článek B41,3 × 21,4	000	
62	83	4221624820	28 4221 62482 0	8	Vzpěra	001	
63	83	9902890458	10 7062 05700 0	5	Kuličkové ložisko 6205 2RS	001	
64	83	9907913984	28 9907 91398 0	1	O-kroužek 56 × 3 TGL6365WS2.055	003	
65	83	4221624170	28 4221 62417 0	7	Těsnící podložka	001	
66	83	4221623676	28 4221 62367 0	8	Těsnící kroužek	002	
67	83	4221668003	28 4221 66800 0	4	Příložka	036	
68	83	4221625758	28 4221 62575 0	6	Zalomený článek KL41306K	000	



TABULKA 24

TABULKA: 024

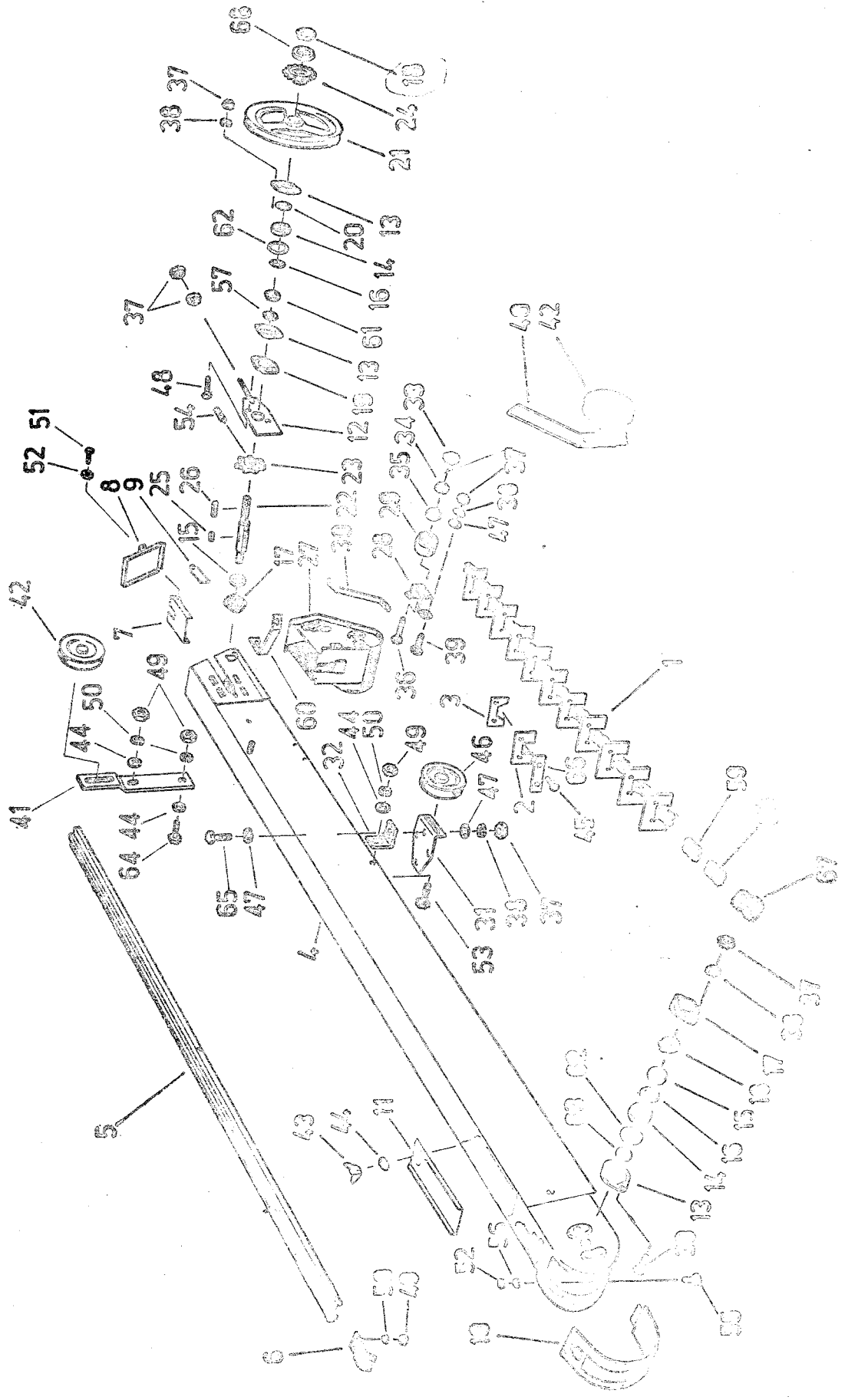
STROJ: 4 3 332

SKLÍZECÍ MLÁTIČKA

E-512

TABULKA: 024

Čís. poz.	Roč.	Katalogové číslo	Obchodní číslo zboží	KZ	Název zboží	Kusy	Provedení
1	83	4221623547	28 4221 62354 0	3	Roura šneku	001	
2	83	4221623522	28 4221 62352 0	5	Šnek na klásky	001	
3	83	4221623563	28 4221 62356	01	Úhelník	001	
4	83	4221623571	28 4221 62357	00	Příruba roury	001	
5	83	4221623627	28 4221 62362 0	3	Rozpěrný kroužek	001	
6	83	4221623032	28 4221 62303 0	4	Ložisková pánev	003	
7	83	4221623040	28 4221 62304 0	3	Ložisková pánev	001	
8	83	4221623073	28 4221 62307 0	0	Záchytný kroužek	002	
9	83	9902890441	10 7062 05600 0	6	Kuličkové ložisko 6205 RS	001	
10	83	4221624322	28 4221 62432 0	8	Řetězové kolo	001	
11	83	9964917192	N		Pojistný krkovek 25 TGL0471	001	
12	83	9965956124	28 9965 95612 0	0	Hranolové pero A8 × 7 × 32 TGL9500	001	
13	83	9961911085	N		Pružná podložka B10 TGL7403GZN	004	
14	83	9930929984	N		Šroub M8 × 20 TGL0558GZNC	001	
15	83	9950895881	N		Matice M8 TGL09346GZNC	005	
16	83	9961910976	N		Pružná podložka B8 TGL7403GZNC	009	
17	83	9960919831	N		Podložka 8,4 TGL8328GZNC	011	
18	83	9930929871	N		Šroub M8 × 16 TGL0558GZNC	003	
19	83	4221625557	28 4221 62555 0	0	Podložka	001	
20	83	9933930942	N		Šroub M10 × 20 TGL093388GZNC	002	
21	83	9930931054	N		Šroub M10 × 30 TGL 0558GZNC	002	
22	83	9950896118	N		Matice M10 TGL09346GZNC	004	
23	83	4221624162	28 4221 624162 0	8	Těsnící podložka	002	
24	83	4221623676	28 4221 62367 0	8	Těsnící kroužek	001	
25	83	9907913984	28 9907 91398 0	1	O- kroužek 56 × 3 TGL6365WS2.055	002	
26	83	9917906460	289917 90646 0	1	Val. řetěz 1 × 19,05V × 11,68 × 50	001	
27	83	4110088233	28 4110 08823 0	4	Těsnící podložka	001	
28	83	4221624201	28 4221 62420 0	2	Těsnící kroužek	001	
29	83	9902890458	10 7062 05700 0	5	Kuličkové ložisko 6205 2RS	001	



Čís. poz.	Roč.	Katalogové číslo	Obchodní číslo zboží	KZ	Název zboží	Kusy	Provedení
1	83	4221625733	28 4221 62573 0	8	Řetěz elevátoru	001	
2	83	4221667992	28 4221 66799 0	8	Unašeč	036	
3	83	4221624724	28 4221 62472 0	0	Příložka	036	
4	83	4221624400	28 4221 62440 0	8	Skříň	001	
5	83	4221624468	28 4221 62446 0	2	Vodící kolejka	001	
6	83	4221624105	28 4221 62410 0	4	Vedení	001	
7	83	4221624580	28 4221 62458 0	8	Hlava kolejky	001	
8	83	4221623908	28 4221 62390 0	9	Víko	001	
9	83	4221623957	28 4221 62395 0	4	Kryt	002	
10	83	4221623981	28 4221 62398 0	1	Klapka	001	
11	83	4221624066	28 4221 62406 0	0	Víko	001	
12	83	4221624556	28 4221 62455 0	1	Jezdec	002	
13	83	4221623032	28 4221 62303 0	4	Ložisková pánev	004	
14	83	4221623073	28 4221 62307 0	0	Záchytný kroužek	003	
15	83	9902890441	10 7062 05600 0	6	Kuličkové ložisko 6205 RS	002	
16	83	4221624162	28 4221 62416 0	8	Těsnící podložka	003	
17	83	4221623040	28 4221 62304 0	3	Ložisková pánev	002	
18	83	9964917192	N		Pojistný kroužek 25 TGL0471	003	
19	83	4221623627	28 4221 62362 0	3	Rozpěrný kroužek	002	
20	83	4110088233	28 4110 08823 0	4	Těsnící podložka	001	
21	83	4221624628	28 4221 62462 0	2	Klínová řemenice	001	
22	83	4221624636	28 4221 62463 0	1	Hřídél pohonu	001	
23	83	4221623362	28 4221 62336 0	5	Řetězové kolo	001	
24	83	4221624322	28 4221 62432 0	8	Řetězové kolo	001	
25	83	9965956132	28 9965 95613 0	9	Hranolové pero A8 × 7 × 36 TGL9500	001	
26	83	9965956237	28 9965 95623 0	7	Hranolové pero A8 × 7 × 63 TGL9500	001	
27	83	4221624812	28 4221 62481 0	9	Vyhazovací hlava	001	
28	83	4221624900	28 4221 62490 0	8	Třmen	001	
29	83	4221625725	28 4221 62572 0	9	Napínací špalík	001	
30	83	4221624242	28 4221 62424 0	8	Vzpěra	002	
31	83	4221626324	28 4221 62632 0	6	Úhelník	001	
32	83	4221624234	28 4221 62423 0	9	Úhelník	002	
33	83	9950896803	N		Matice M12 TGL09346GZNC	001	
34	83	9961911204	N		Pružná podložka B12 TGL7403GZN	001	
35	83	9960922031	N		Podložka 13 TGL8328GZNC	001	
36	83	9933932517	N		Šroub M12 × 60 TGL093388GZNC	001	
37	83	9950895118	N		Matice M10 TGL09346GZNC	024	

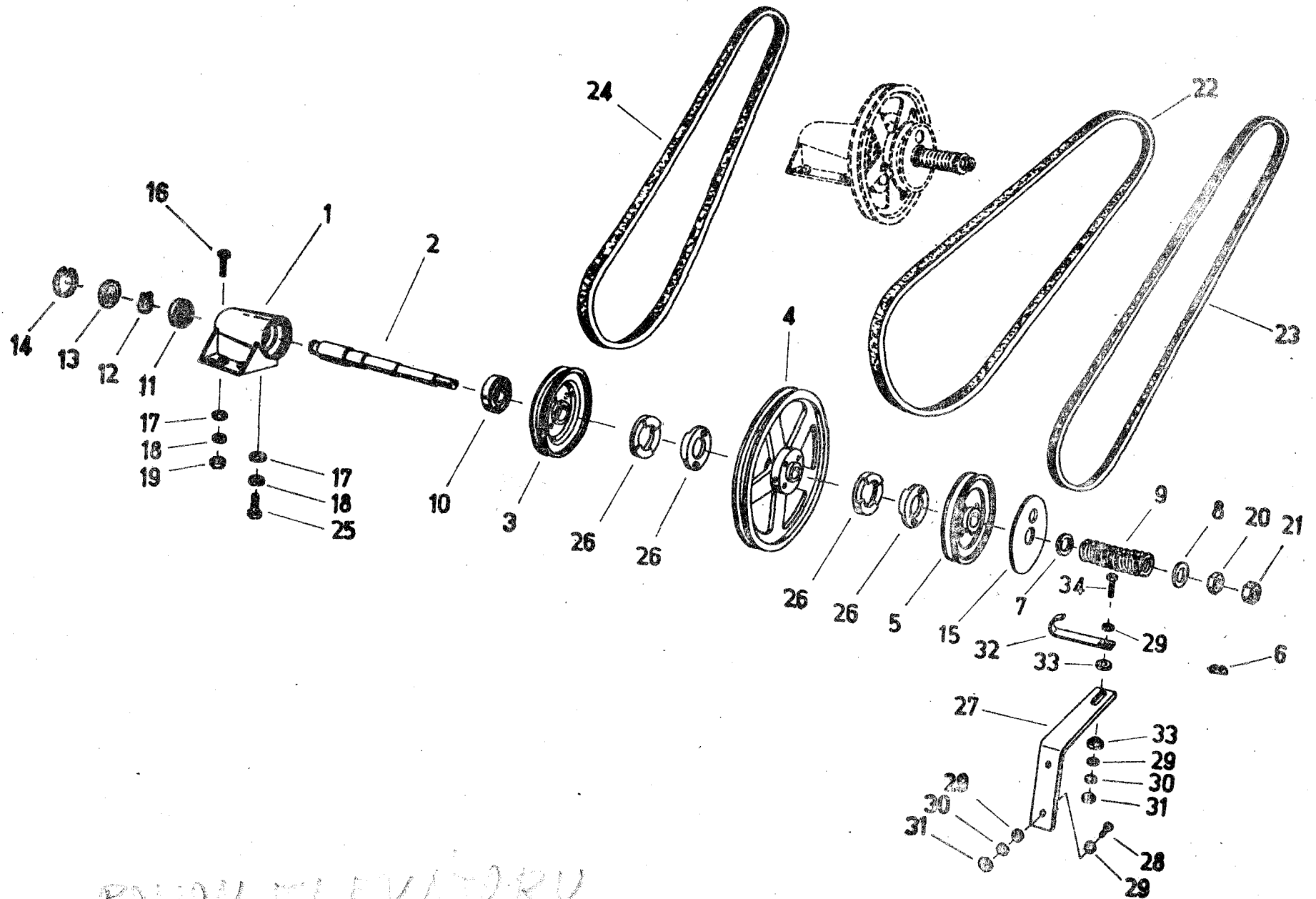
STROJ: 4 3 332

SKLÍZECÍ MLÁTIČKA

E-512

TABULKA: 025

Čís. poz.	Roč.	Katalogové číslo	Obchodní číslo zboží	KZ	Název zboží	Kusy	Provedení
38	83	9961911085	N		Pružná podložka B10 TGL7403GZN	020	
39	83	9933930942	N		Šroub M10 × 20 TGL093388GZNC	008	
40	83	4221626293	28 4221 62629 0	1	Úhelník	001	
41	83	4221626252	28 4221 62625 0	5	Upínací kolejka	001	
42	83	9919885661	28 9919 88566 0	9	Napínač klín. řemene B25 × 65	002	
43	83	9951893790	N		Křídlatá matice M8 TGL0315	001	
44	83	9960919831	N		Podložka 8,4 TGL8328GZNC	011	
45	83	9971900570	N		Nýt A6 × 20 TGL07338ST34U-2	072	
46	83	9919885653	28 9919 88565 0	0	Napínač klín. řemene A25 × 65	001	
47	83	9960962047	N		Podložka 10,5 TGL8328GZNC	010	
48	83	9941934134	N		Zap. šroub AM10 × 30 TGL568348	004	
49	83	9950895881	N		Matice M8 TGL09346GZNC	012	
50	83	9961910976	N		Pružná podložka B8 TGL7403GZNC	012	
51	83	9930959877	N		Šroub M6 × 25 TGL0558GZNC	002	
52	83	9950895711	N		Matice M6 TGL09346GZNC	003	
53	83	9933930001	N		Šroub M8 × 20 TGL093388GZNC	004	
54	83	9947940231	N		Závitový kolík M8 × 18TGL0553GZNC	001	
55	83	9933929313	N		Šroub M6 × 16 TGL093388GZNC	001	
56	83	9961910847	N		Pružná podložka B6 TGL7403GZNC	001	
57	83	4221623676	28 4221 62367 0	8	Těsnící kroužek	002	
58	83	9917905757	28 9917 90575 0	7	Nasouvací článek 1E41,3 × 21,4	001	
59	83	N	N		Vnitřní článek B41,3 × 21,4MEN	000	
60	83	4221624820	28 4221 62482 0	8	Vzpěra	001	
61	83	9902890458	10 7062 05700 0	5	Kuličkové ložisko 6205 2RS	001	
62	83	9907913984	28 9907 91398 0	1	O-kroužek 56 × 3 TGL6365WS2.055	003	
63	83	4221624170	28 4221 62417 0	7	Těsnící kroužek	001	
64	83	9933929973	N		Šroub M8 × 25 TGL09338GZNC	001	
65	83	9933931123	N		Šroub M10 × 30 TGL093388GZNC	002	
66	83	4221668003	28 4221 66800 0	4	Příložka	036	
67	83	4221625758	28 4221 62575 0	6	Zalomený článek KL41306K	000	
68	83	9965920708	N		Lic. podložka 27 × 1 TGL10404ST	001	



TABULKA 26

POWON ELEWATORU

TABULKA: 026

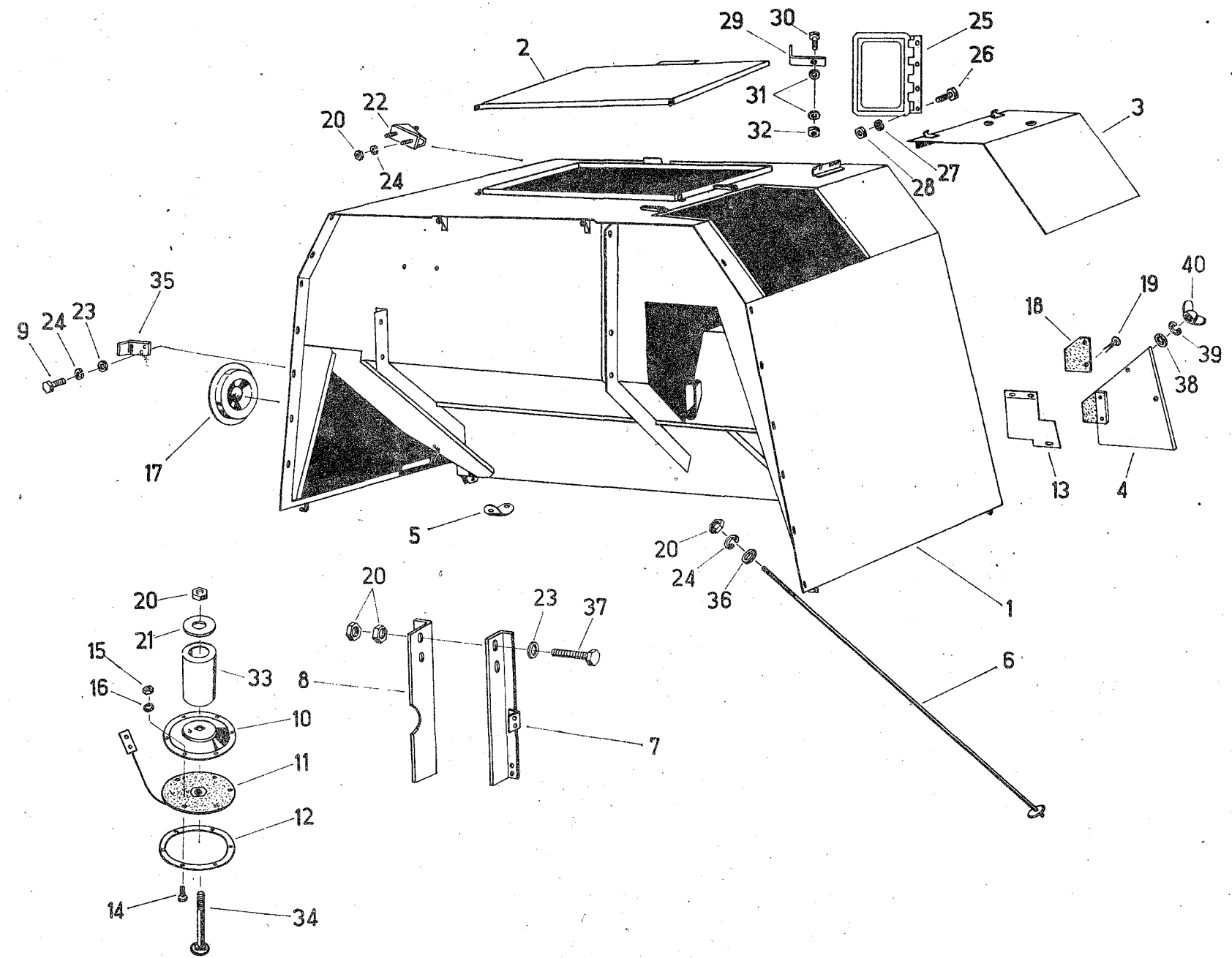
STROJ: 4 3 332

SKLÍZEČÍ MLÁTIČKA

E-512

TABULKA: 026

Čís. poz.	Roč.	Katalogové číslo	Obchodní číslo zboží	KZ	Název zboží	Kusy	Provedení
1	83	4221626478	28 4221 62647 0	9	Kozlík ložiska	001	
2	83	4221626453	28 4221 62645 0	1	Hřídél	001	
3	83	4221626517	28 4221 62651 0	3	Klínová řemenice	001	
4	83	4221626500	28 4221 62650 0	4	Klínová řemenice	001	
5	83	4221626525	28 4221 62652 0	2	Klínová řemenice	001	
6	83	9923925256	28 9923 92525 0	0	Zásuvná spona 36 TGL39855GZNC	003	
7	83	9960962344	N		Podložka 37 TGL17774ST	001	
8	83	4221626558	28 4221 62655 0	9	Tlačná podložka	001	
9	83	9973880418	28 9973 88041 0	9	Tl. pružina C7 × 50 × 11,5 TGL18395	001	
10	83	9902890923	10 7063 08600 0	8	Kuličkové ložisko 6308 RS	001	
11	83	9902890490	10 7062 07000 0	8	Kuličkové ložisko 6207	001	
12	83	9964917248	N		Pojistný kroužek 35 TGL0471	001	
13	83	9904869008	28 9904 86900 0	8	Víko 72 TGL3317127	001	
14	83	9964917826	N		Pojistný krkroužek 72 TGL0472	001	
15	83	4221626197	28 4221 62619 0	3	Podložka	001	
16	83	9933932028	N		Šroub M12 × 35 TGL093388GZNC	006	
17	83	9960922031	N		Podložka 13 TGL8328GZNC	004	
18	83	9961911204	N		Pružná podložka B12 TGL7403GZN	004	
19	83	9950896503	N		Matice M12 TGL09346GZNC	002	
20	83	9950897842	N		Matice BM20 TGL04395GZNC	001	
21	83	9950897561	N		Matice M20 TGL09345	001	
22	83	9911861516	10 6212 22500 0	3	Klín. řemen SPCLW2500 TGL14489	001	
23	83	9911861540	10 6212 23000 0	6	Klín. řemen SPCLW3000TGL14489	001	
24	83	9911861524	10 6212 22650 0	2	Klín. řemen SPCLW2650 TGL14489	001	
25	83	9933931863	N		Šroub M12 × 25 TGL093388GZNC	002	
26	83	4221626203	28 4221 62620	0 0	Ozubená spojka	004	
27	83	4221626156	28 4221 62615 0	7	Trmen	001	
28	83	9933929860	N		Šroub M8 × 16 TGL093388GZNC	002	
29	83	9960919831	N		Podložka 8,4 TGL8328GZNC	006	
30	83	9961910976	N		Pružná podložka B8 TGL7403GZNC	003	
31	83	9950895881	N		Matice M8 TGL09346GZN	003	
32	83	4221626164	28 4221 62616 0	6	Pero	001	
33	83	4221626172	28 4221 62617	0 5	Izolační podložka	002	
34	83	9933930188	N		Šroub M8 × 30 TGL093388GZNC	001	



TABULKA 27

TABULKA: 027

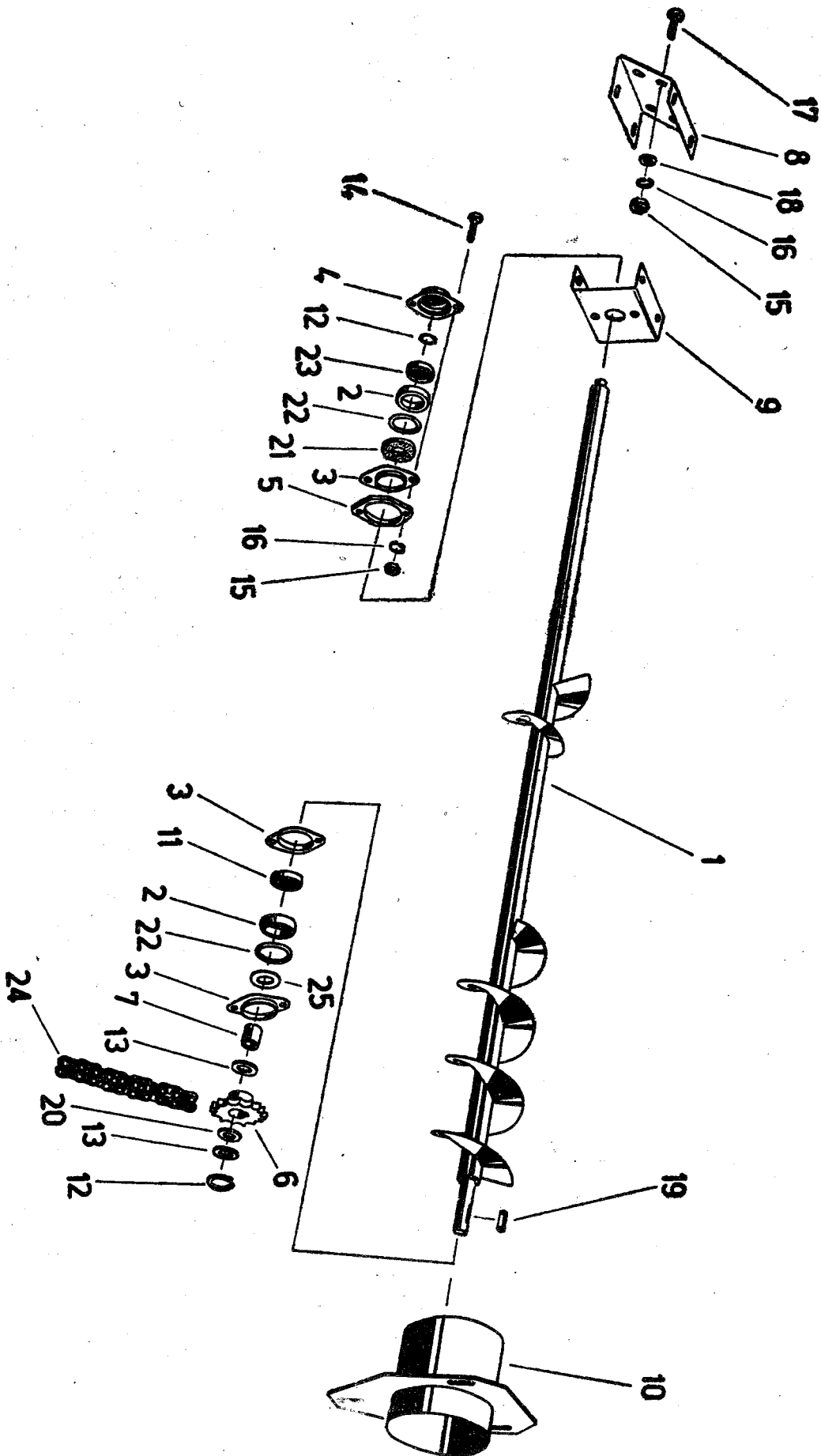
STROJ: 4 3 332

SKLÍZECÍ MLÁTIČKA

E-512

TABULKA: 027

Čís. poz.	Roč.	Katalogové číslo	Obchodní číslo zboží	KZ	Název zboží	Kusy	Provedení
1	83	4221627116	28 4221 62711 0	0	Skříň zásobníku	001	
2	83	4221627212	28 4221 62721 0	8	Klapka	001	
3	83	4221627421	28 4221 62742 0	3	Klapka	001	
4	83	4221627663	28 4221 62766 0	5	Obložení	001	
5	83	4221627702	28 4221 62770 0	9	Víko	001	
6	83	4221627567	28 4221 62756 0	7	Naviják	001	
7	83	4221627696	28 4221 62769 0	2	Úhelník	001	
8	83	4221627768	28 4221 62776 0	3	Úhelník	001	
9	83	9933930942	N		Šroub M10 × 20 TGL093388GZNC	002	=
10	83	4221627278	28 4221 62727 0	2	Talíř	001	
11	83	4221627286	28 4221 62728 0	1	Membrána	001	
12	83	4221627366	28 4221 62736 0	1	Kroužek	001	
13	83	4221627776	28 4221 62777 0	2	Clona	001	
14	83	9938927805	N		Šroub s coc. hl. BM4 × 12 TGL085	006	
15	83	9950895430	N		Matice M4 TGL0934GZNC	006	
16	83	9961910605	N		Pružná podložka B4 TGL 7403GZNC	006	
17	83	4221629343	28 4221 62934 0	1	Víko zásobníku	001	
18	83	4221627688	28 4221 62768 0	3	Těsnící pás	001	
19	83	N	N		Tříhrotý nýt 4 × 10 TGL28838GNI	002	
20	83	9950896118	N		Matice M10 TGL09346GZN	037	
21	83	4247040984	28 4247 04098 0	2	Podložka	001	
2	83	4221668382	28 4221 66838 0	0	Napínací kozlík	001	
23	83	9960962047	N		Podložka 10,5 TGL8328GZNC	040	=
32	83	9950895881	N		Matice M8 TGL09346GZNC	002	
33	83	4221628334	28 4221 62833 0	3	Trubka	001	
34	83	9945926540	N		Šroub M10 × 140 TGL0603GZNC	001	
35	83	4228671845	28 4228 67184 0	5	Příložka	001	=
36	83	N	N		Podložka 11,5 TGL0434GZNC	001	
37	83	9933931123	N		Šroub M10 × 30 TGL093388GZNC	010	
38	83	9961921673	N		Podložka A9,5 TGL0440GZN	002	
39	83	9961910976	N		Pružná podložka B8 TGL7403GZNC	002	
40	83	9951893790	N		Křídlatá matice M8 TGL0315	002	



TABULKA: 028

STROJ: 4 3 332

SKLÍZECÍ MLÁTIČKA

E-512

TABULKA: 028

Čís. poz.	Roč.	Katalogové číslo	Obchodní číslo zboží	KZ	Název zboží	Kusy	Provedení
1	83	4221627864	28 4221 62786 0	1	Šnek	001	
2	83	4221623073	28 4221 62307 0	0	Záchytný kroužek	002	
3	83	4221623032	28 4221 62303 0	4	Ložisková pánev	003	
4	83	4221623040	28 4221 62304 0	3	Ložisková pánev	001	
5	83	4221623627	28 4221 62362 0	3	Rozpěrný kroužek	001	
6	83	4221624322	28 4221 62432 0	8	Řetězové kolo	001	
7	83	4221624355	28 4221 62435 0	5	Pouzdro	001	
8	83	4221627735	28 4221 62773 0	6	Držení	001	
9	83	4221627911	28 4221 62791 0	4	Kozlík ložiska	001	
10	83	4221627622	28 4221 62762 0	9	Hrdlo	001	
11	83	9902890458	10 7062 05700 0	5	Kuličkové ložisko 6205 2RS	001	
12	83	9964917192	N		Pojistný kroužek 25 TGL0471	002	
13	83	4221624314	28 4221 62431 0	9	Rozpěrná podložka 2,0	000	
14	83	9930931054	N		Šroub M10 × 30 TGL0558GZNC	004	
15	83	9950896118	N		Matice M10 TGL09346GZN	015	
16	83	9961911085	N		Pružná podložka B10 TGL7403GZN	015	
17	83	9933931027	N		Šroub M10 × 25 TGL093388GZNC	011	
18	83	9960962047	N		Podložka 10,5 TGL8328GZNC	011	
19	83	9965956124	28 9965 95612 0	0	Hranolové pero A8 × 7 × 32 TGL9500	001	
20	83	4221624306	28 4221 62430 0	0	Rozpěrná podložka, 0,5 síla	000	
21	83	4221627897	28 4221 62789 0	8	Těsnící kroužek	001	
22	83	9907913984	28 9907 91398 0	1	O-kroužek 56 × 3 TGL6365WS2.055	002	
23	83	9902890441	10 7062 05600 0	6	Kuličkové ložisko 6205 RS	001	
24	83	9917906460	28 9917 90646 0	1	Val. řetěz 1 × 19,05V × 11,68 × 50	001	
25	83	4221624201	28 4221 62420 0	2	Těsnící kroužek	001	

TABULKA: 029

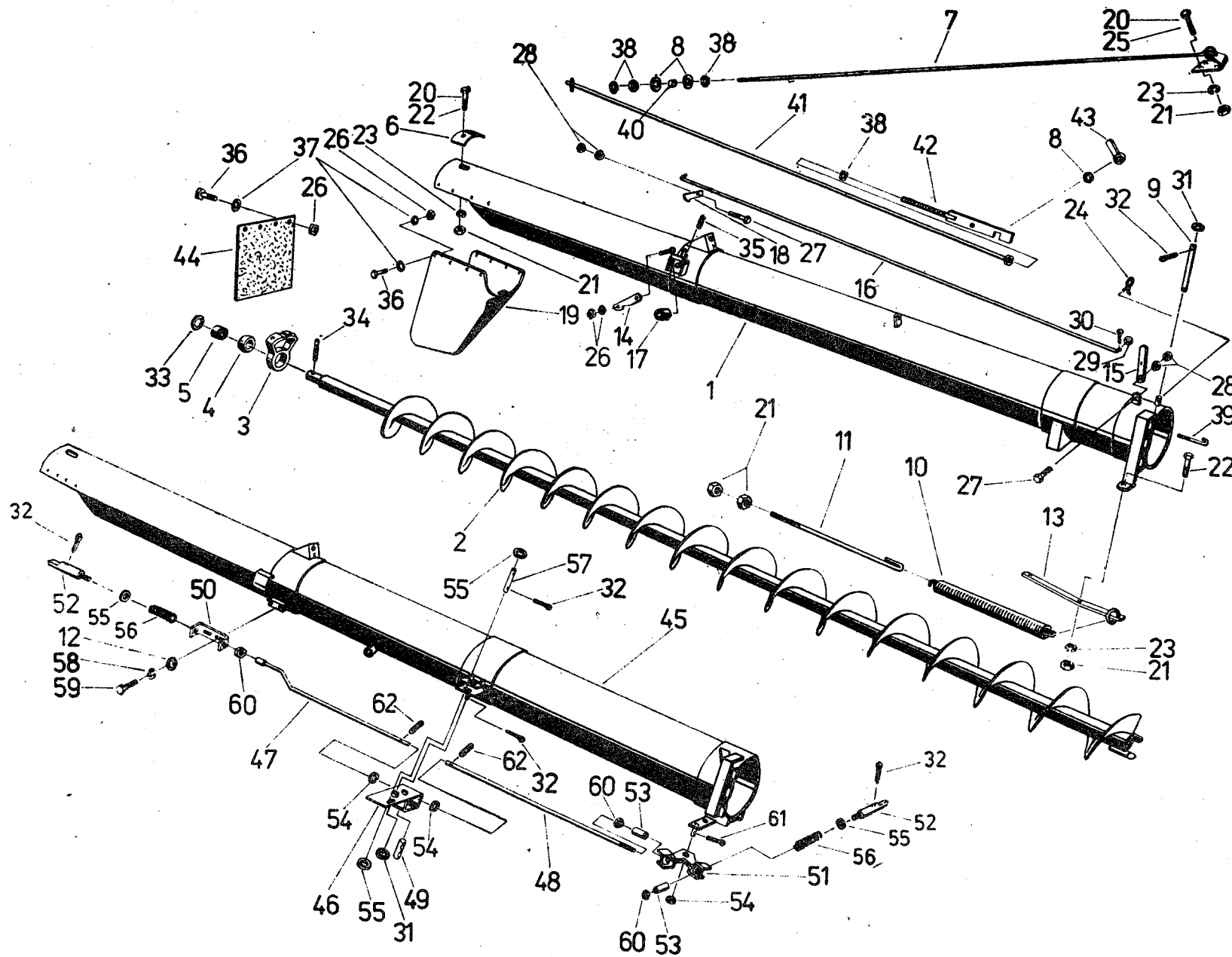
STROJ: 4 3 332

SKLÍZECÍ MLÁTIČKA

E-512

TABULKA: 029

Čís. poz.	Roč.	Katalogové číslo	Obchodní číslo zboží	KZ	Název zboží	Kusy	Provedení
1	83	4221628012	28 4221 62801 0	1	Hřidel šneku	001	
2	83	4221628238	28 4221 62823 0	5	Křížový kloub	001	
3	83	4221628190	28 4221 62819 0	1	Hřidel šneku	001	
4	83	4221628086	28 4221 62808 0	4	Nastavovací ložisko	002	
5	83	4221628094	28 4221 62809 0	3	Kkoule	002	
6	83	4221626100	28 4221 62610 0	2	Pouzdro	002	
7	83	4221628125	28 4221 62812 0	8	Kozlík ložiska	001	
8	83	9947940207	N		Závitový kolík M8 × 10 TGL91388	004	
9	83	9920925507	N		Kuželová maznička A8 TGL071412	002	
10	83	9930931150	N		Šroub M10 × 35 TGL0558GZNC	002	
11	83	9950896118	N		Matice M10 TGL09346GZN	006	
12	83	9961911085	N		Pružná podložka B10 TGL7403GZN	004	
13	83	4221627784	28 4221 62778 0	1	Šestihranný šroub	002	
14	83	9965956405	28 9965 95640 0	6	Hranolové pero A10 × 8 × 32TGL9500	002	
15	83	9967944047	N		Val. rýh. kolík 16 × 90 TGL0147358	001	
16	83	4221627751	28 4221 62775 0	4	Klínová řemenice	001	
17	83	9965955293	28 9965 95529 0	2	Klín s noselem 10 × 8 × 50 TGL9502	001	
18	83	4221628133	28 4221 62813 0	7	Skříň	001	
19	83	9961921673	N		Podložka A9,5 TGL0440GZN	009	
20	83	9964917264	N		Pojistný kroužek 40 TGL0471	001	
21	83	9902890538	10 7062 08600 0	0	Kuličkové ložisko 6208 RS	001	
22	83	4221628141	28 4221 62814 0	6	Kroužek	001	
23	83	4221628158	28 4221 62815 0	5	Víko	001	
24	83	9964917834	N		Pojistný kroužek 80 TGL0472	001	
25	83	9932931237	N		Šroub M12 × 40 TGL093188GZNC	003	
26	83	9950896503	N		Matice M12 TGL09346GZNC	003	
27	83	9961911204	N		Pružná podložka B12 TGL7403GZN	003	
28	83	4221628254	28 4221 62825 0	3	Kryt	001	
29	83	4221628301	28 4221 62830 0	6	Šoupátko	001	
30	83	4221628295	28 4221 62829 0	9	Šoupátko	001	
31	83	9945926268	N		Šroub M8 × 25 TGL0603GZNC	008	
32	83	9951893790	N		Křídlatá matice M8 TGL0315	008	
33	83	9961910976	N		Pružná podložka B8 TGL7403GZNC	009	
34	83	9950896616	N		Matice AM10 TGL04396GZNC	002	
35	83	4221628318	28 4221 62831 0	5	Držení	001	
36	83	9950895881	N		Matice M8 TGL09346GZN	001	
37	83	4221669117	28 4221 66911 0	0	Kryt	001	
38	83	9961921970	N		Podložka A11,5 TGL0440STGZNC	004	
39	83	9933933953	N		Šroub M10 × 50 TGL093348GZNC	002	



TABULKA: 030

STROJ: 4 3 332

SKLÍZECÍ MLÁTIČKA

E-512

TABULKA: 030

Čís. poz.	Roč.	Katalogové číslo	Obchodní číslo zboží	KZ	Název zboží	Kusy	Provedení
1	83	4221628615	28 4221 62861 0	9	Vynášecí roura 3500mm	001	
1A	83	4221669141	28 4221 66914 0	7	Vynášecí roura 4490mm	001	
2	83	4221628623	28 4221 62862 0	8	Šnek 3519 mm	001	
2A	83	4221669158	28 4221 66915 0	6	Šnek 4509mm	001	
3	83	4221628086	28 4221 62808 0	4	Nastavovací ložisko	001	
4	83	4221628094	28 4221 62809 0	3	Koule	001	
5	83	4221626100	28 4221 62610 0	2	Pouzdro	001	
6	83	4221628760	28 4221 62876 0	2	Zesílení	001	
7	83	4221628728	28 4221 62872 0	6	Vyztužení	001	
8	83	9960922031	N		Podložka 13 TGL8328GZNC	003	
9	83	4221628785	28 4221 62878 0	0	Osa závěsu	001	
10	83	4221628793	28 4221 62879 0	9	Tažné pero	001	
11	83	4221628808	28 4221 62880 0	6	Tažná tyč	001	
12	83	9960919831	N		Podložka 8,4 TGL8328GZNC	002	=
13	83	4221628904	28 4221 62890 0	4	Páka	001	
14	83	4221628912	28 4221 62891 0	3	Páka	001	
15	83	4221628920	28 4221 62892 0	2	Páka	001	
16	83	4221628937	28 4221 62893 0	1	Tyč	001	
17	83	4221621408	28 4221 62140 0	1	Gumové ložisko	001	
18	83	4221629013	28 4221 62901 0	0	Hák	001	
19	83	4221629021	28 4221 62902 0	9	Žlab	001	=
20	83	9933933881	N		Šroub M10 × 30 TGL093348GZNC	006	
21	83	9950896118	N		Matice M10 TGL09346GZN	009	
22	83	9930931054	N		Šroub M10 × 30 TGL0558GZNC	002	
23	83	9961911085	N		Pružná podložka B10 TGL7403GZN	007	
24	83	9928939185	N		Pruž. zástrčka 8 TGL3316121	001	
25	83	9930930986	N		Šroub M10 × 25 TGL0558GZNC	005	
26	83	9950895711	N		Matice M6 TGL09346GZNC	015	
27	83	9930930078	N		Šroub M8 × 25 TGL0558GZNC	002	
28	83	9950895881	N		Matice M8 TGL09346GZN	004	
29	83	9960919856	N		Podložka 6,4 TGL8328GZNC	002	
30	83	9963949795	N		Závlačka 3,2 × 20 TGL094STGDCD	002	
31	83	9960919237	N		Podložka 15 TGL17774STGZNC	003	
32	83	9963949988	N		Závlačka 4 × 25 TGL094STGCD	007	
33	83	9960923057	N		Podložka 37 TGL8328GZNC	001	
34	83	9967942238	N		Napínací kolík 8 × 50 TGL01481	001	
35	83	9973879658	28 9973 87965 0	4	Tl. pružina A1,2 × 13 × 11,5TGL18395	001	

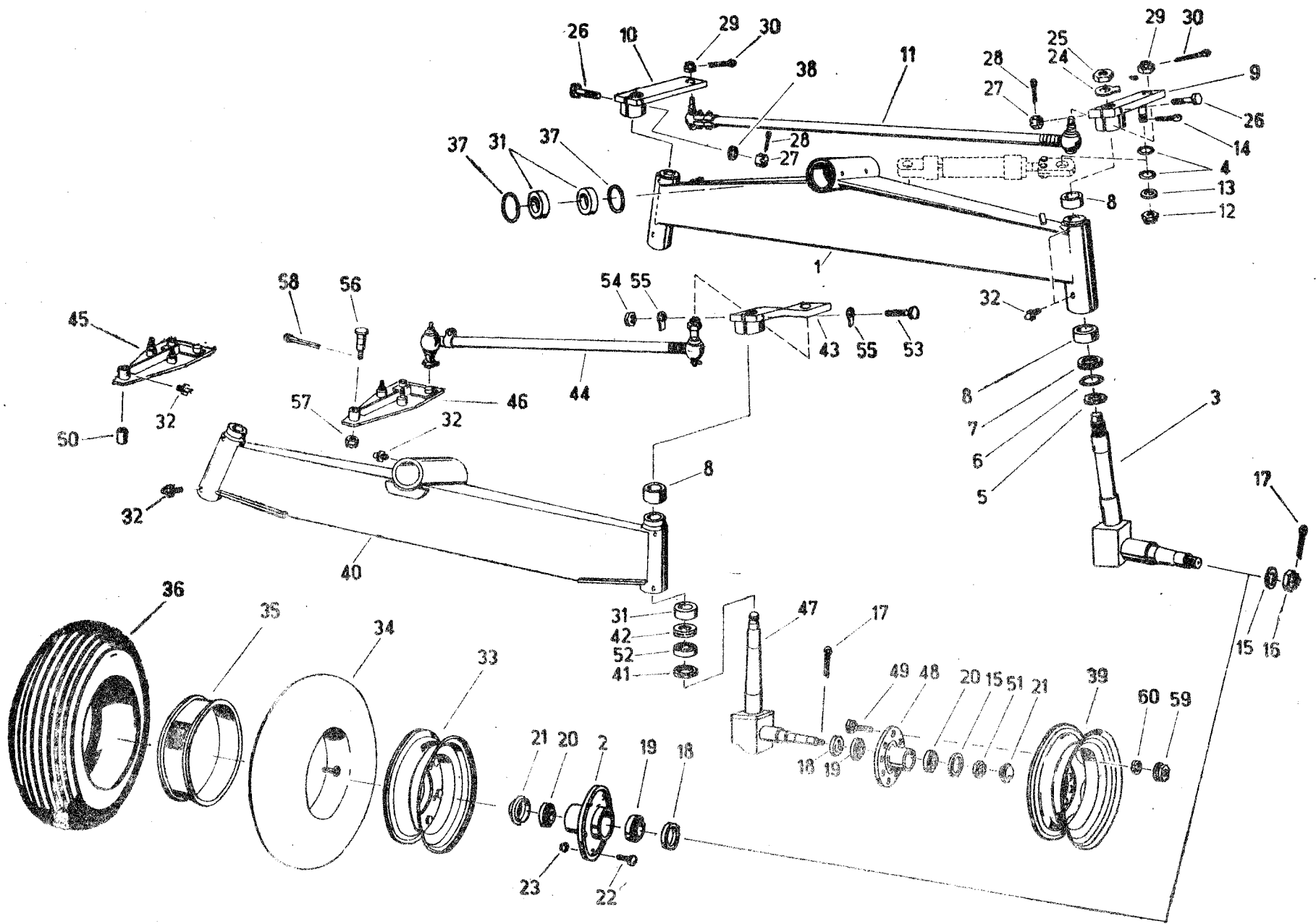
STROJ: 4 3 332

SKLÍZECÍ MLÁTIČKA

E-512

TABULKA: 030

Čís. poz.	Roč.	Katalogové číslo	Obchodní číslo zboží	KZ	Název zboží	Kusy	Provedení
36	83	9933957815	N		Šroub M6 × 16 TGL093348GZNC	013	
37	83	9961921608	N		Podložka A7 TGL0440GZNC	020	
38	83	9950896503	N		Matice M12 TGL09346GZNC	004	
39	83	4221629046	28 4221 62904 0	7	Šroub s hákem	001	
40	83	4221629038	28 4221 62903 0	8	Pouzdro	001	
41	83	4221668366	28 4221 66836 0	2	Tažná tyč	001	
42	83	4221668374	28 4221 66837 0	1	Napínací hák	001	
43	83	9910883602	N		Kuželová rukojeť B16 TGL099	001	
45	83	4228671781	28 4228 67178 0	3	Vyprazdňovací roura	001	=
46	83	4228671798	28 4228 67179 0	2	Páka	001	=
47	83	4228671804	28 4228 67180 0	9	Tažná tyč	001	=
48	83	4228671812	28 4228 67181 0	8	Tažná tyč	001	=
49	83	4228671820	28 4228 67182 0	7	Čep vedení	001	=
50	83	4240029134	28 4240 02913 0	2	Vedení	001	=
51	83	4240035278	28 4240 03527 0	8	Páka	001	=
52	83	4240035294	28 4240 03529 0	6	Kolík	002	=
53	83	4313246463	28 4313 24646 0	5	Pouzdro	002	=
54	83	9960921787	N		Podložka 10,5 TGL17774STGZNC	003	
55	83	9960962055	N		Podložka 17 TGL8328GZNC	006	
56	83	9973880442	28 9973 88044 0	6	Tl. pružina C4,5 × 32 × 7,5 TGL18395	002	
57	83	9949864153	28 9949 86415 0	2	Čep 16 × 70 × 58 TGL01433	001	
58	83	9961910976	N		Pružná podložka B8 TGL7403GZNC	002	=
59	83	9933930001	N		Šroub M8 × 20 TGL093388GZNC	002	=
60	83	9950896118	N		Matice M10 TGL09346GZNC	003	=
61	83	9963949762	N		Závlačka 3,2 × 16 TGL094STGCDC	003	=
62	83	9967943062	N		Val. rýh. kolík 4 × 20 TGL014735,8	002	=



TABULKA 31

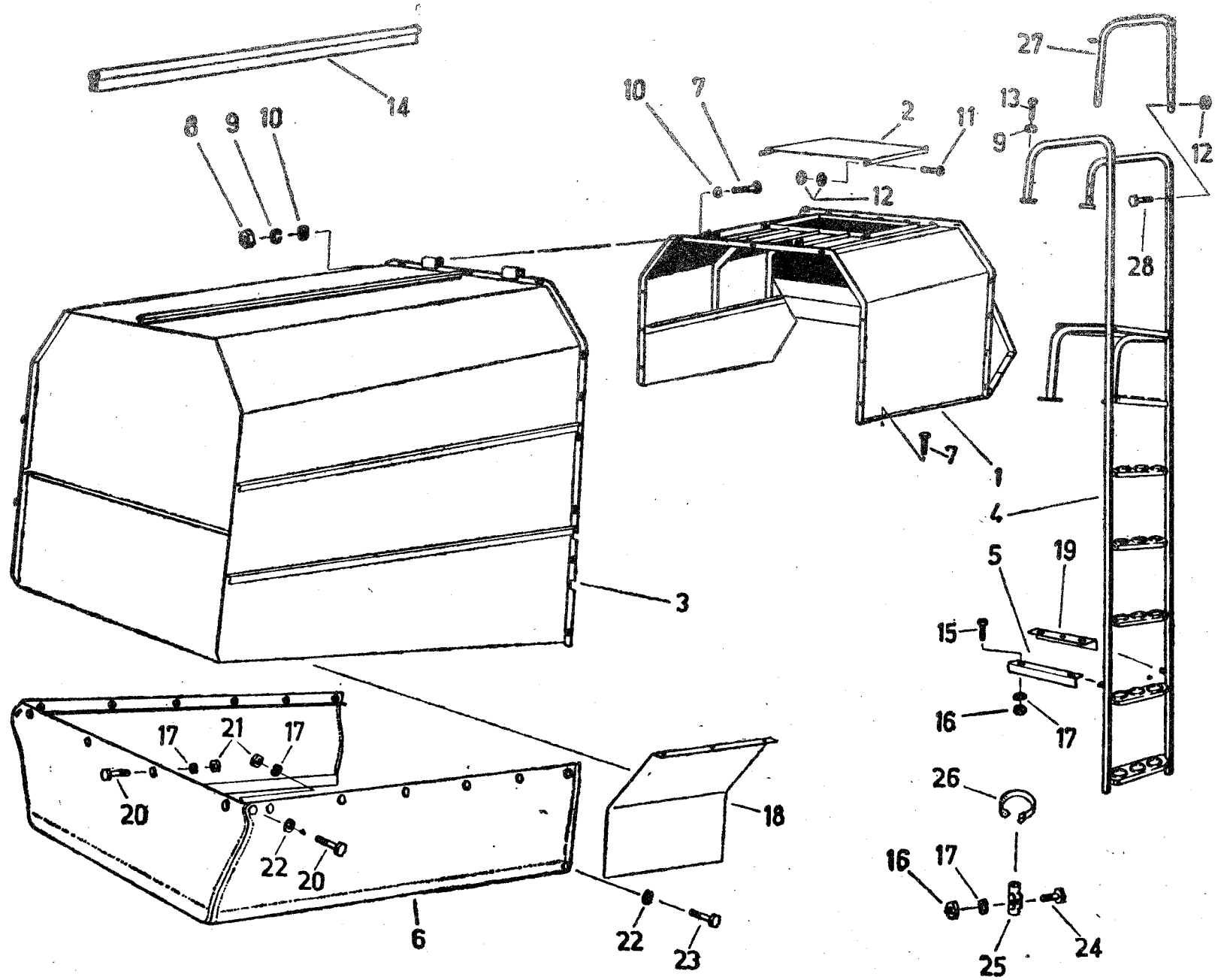
STROJ: 4 3 332

SKLÍZEČÍ MLÁTIČKA

E-512

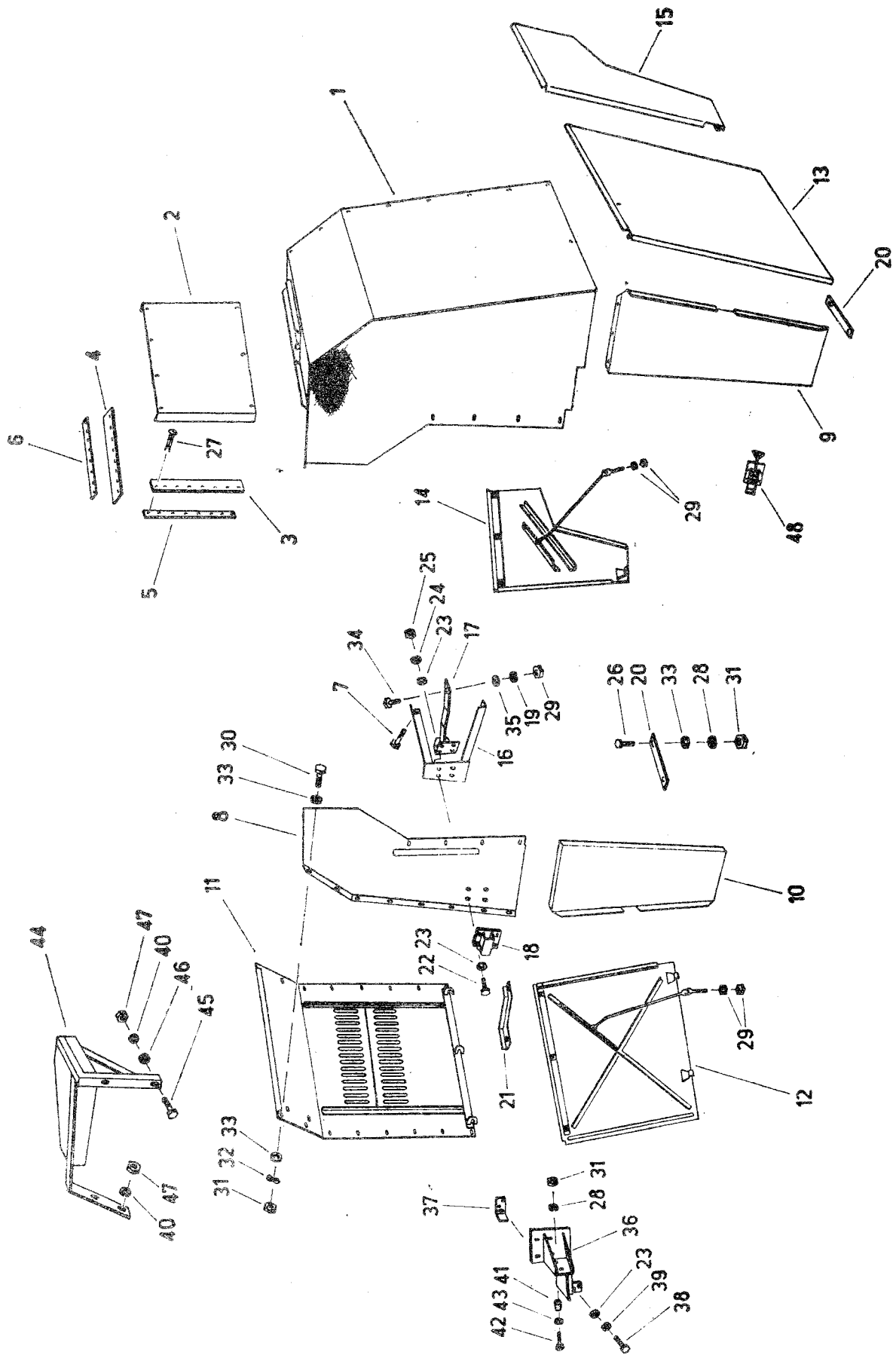
TABULKA: 031

Čís. poz.	Roč.	Katalogové číslo	Obchodní číslo zboží	KZ	Název zboží	Kusy	Provedení
1	83	4221609364	28 4221 60936 0	3	Osa	001	
2	83	4221609612	28 4221 60961 0	2	Náboj	002	
3	83	4221609653	28 4221 60965 0	8	Čep nápravy	002	
4	83	9907916191	28 9907 91619 0	3	O-kroužek 32 × 5 TGL636WS2.055	004	
5	83	4221609380	28 4221 60938 0	1	Opěrný kroužek	002	
6	83	9907916327	28 9907 91632 0	6	O-kroužek 56 × 5 TGL 6365WS2.055	002	
7	83	9902888045	10 7505 11090 0	1	Axiální ložisko 51109	002	
8	83	4221609485	28 4221 60948 0	9	Pouzdro	004	
9	83	4221609428	28 4221 60942 0	5	Řídící páka	001	
10	83	4221609411	28 4221 60941 0	6	Páka spojovací tyče	001	
11	83	4221654280	28 4221 65428 0	8	Spojovací tyč	001	
12	83	N	N		Kor. matice M20 TGL09375GZNC	002	
13	83	N	N		Podložka 22 × 45 × 4 FON14510GZNC	002	
14	83	9963950321	N		Závlačka 5 × 40 TGL094STGZNC	002	
15	83	4032800528	28 4032 80052 0	1	Podložka	002	
16	83	9951894718	N		Kor. matice M30 × 1,5TGL399375GZNC	002	
17	83	9963950643	N		Závlačka 6,3 × 55 TGL094ST	002	
18	83	9905871661	28 9905 87166 0	4	Gufero D55 × 90 × 10	002	
19	83	9902888584	10 7332 21010 0	3	Kuželíkové ložisko 32210	002	
20	83	9902888551	10 7332 20800 0	9	Kuželíkové ložisko 32208	002	
21	83	4802495832	28 4802 49583 0	2	Vičko náboje	002	
22	83	9929902525	28 9929 90252 0	2	Čep kola AM18 × 1,5 × 46TGL22251	010	
23	83	9951902488	28 9951 90248 0	1	Matice kola BM14 × 1,5 TGL2225	010	
24	83	N	N		Pojistka 32 TGL0432STGZNC	002	
25	83	N	N		Matice M30 × 2 TGL09365 GZNC	002	
26	83	N	N		Šroub M12 × 90 STGL 09318.8GZNC	002	
27	83	9951894437	N		Kor. matice M12 TGL09356GZNC	002	
28	83	9963949818	N		Závlačka 3,2 × 25 TGL094STGCDC	002	
29	83	9951894566	N		Kor. matice M16 TGL09356GZNC	002	
30	83	9963950024	N		Závlačka 4 × 30 TGL094STGCDC	002	
31	83	42216094930	28 4221 60949 0	8	Pouzdro	002	
32	83	9920925507	N		Kuželová maznička A8 TGL071412	006	
33	83	9017903892	28 9017 90389 0	1	Diskové kolo 9,00 × 15KOTGL10521	002	
34	83	4223657320	N		Vzdušnice 10.00.15TGL20175	002	
34A	83	4254126523	N		Vzdušnice 1020 TGL11957	000	
35	83	4223657312	N		Autovložka 120 × 15 TGL1046	002	
36	83	4032809882	N		Pneumatika 10-15AM TGL6504	002	
37	83	N	N		O-kroužek 85 × 5 TGL6365WS2.055	002	
38	83	9960922031	N		Podložka 13 TGL8328GZNC	002	



TABULKA 32

Čís. poz.	Roč.	Katalogové číslo	Obchodní číslo zboží	KZ	Název zboží	Kusy	Provedení
1	83	4221604062	28 4221 60406 0	4	Skríň	001	
2	83	4221604070	28 4221 60407 0	3	Víko	001	
3	83	4221603367	28 4221 60336 0	9	Kryt	001	
4	83	4221616917	28 4221 61691 0	7	Žebřík	001	
5	83	4221617001	28 4221 61700 0	5	Úhelník	001	
6	83	4221650260	28 4221 65026 0	4	Utvářeč pokosu	001	
7	83	9930930986	N		Šroub M10 × 25 TGL0558GZNC	018	
8	83	9950896118	N		Maticice M10 TGL09346GZN	014	
9	83	9961911085	N		Pružná podložka B10 TGL7403GZN	015	
10	83	N	N		Podložka 14,5 TGL8328GZNC	024	
11	83	9930929404	N		Šroub M6 × 20 TGL0558GZNC	002	
12	83	9950895711	N		Maticice M6 TGL09346GZNC	008	
13	83	9933930901	N		Šroub M10 × 20 TGL0558GZNC	002	
14	83	0202672340	N		Gumová profilovaná šňůra	001	
15	83	9930929871	N		Šroub M8 × 16 TGL0558GZNC	004	
16	83	9950895881	N		Maticice M8 TGL09346GZN	010	
17	83	9961910976	N		Pružná podložka B8 TGL7403GZNC	020	
18	83	4221650211	28 4221 65021 0	9	Plech utvářeče pokosu	002	
19	83	4221617130	28 4221 61713 0	0	Úhelník	001	
20	83	9930929984	N		Šroub M8 × 20 TGL0558GZNC	018	
21	83	9950895994	N		Maticice M8 TGL09345GZNC	020	
22	83	9961921673	N		Podložka A9,5 TGL0440GZN	004	
23	83	9930930078	N		Šroub M8 × 25 TGL0558GZNC	002	
24	83	9932930373	N		Šroub M8 × 45 TGLÉ93188GZNC	002	
25	83	4247033622	28 4247 03362 0	3	Držák požární plácačky	002	
26	83	4240040138	28 4240 04013 0	7	Řemen s přeskou A16 × 250	002	



TABULKA: 033

STROJ: 4 3 332

SKLÍZECÍ MLÁTIČKA

E-512

TABULKA: 033

Čís. poz.	Roč.	Katalogové číslo	Obchodní číslo zboží	KZ	Název zboží	Kusy	Provedení
1	83	4221604118	28 4221 60411 0	7	Obložení chladiče	001	
2	83	4221603961	28 4221 60396 0	7	Plech dmýchaného vzduchu	001	
3	83	4221603986	28 4221 60398 0	5	Pryžová destička	002	
4	83	4221603978	28 4221 60397 0	6	Pryžová destička	002	
5	83	4221604005	28 4221 60400 0	0	Vložka	002	
6	83	4221603994	28 4221 60399 0	4	Vložka	002	
7	83	9930957944	N		Šroub M10 x 25 TGL093348GZNC	002	
8	83	4221603488	28 4221 60348 0	5	Zadní stěna	001	
9	83	4221603502	28 4221 60350 0	1	Zadní stěna	001	
10	83	4221603463	28 422160346 0	7	Zadní stěna	001	
11	83	4221603760	28 4221 60376 0	1	Kryt motoru	001	
12	83	4221603744	28 4221 60374 0	3	Klapka	001	
13	83	4221603857	28 4221 60385 0	0	Klapka	001	
14	83	4221606703	28 4221 60670 0	4	Klapka	001	
15	83	4221603816	28 4221 60381 0	4	Klapka	001	
16	83	4221604007	28 4221 60400 0	2	Zesílení	001	
17	83	4221603543	28 4221 60354 0	7	Opěra	001	
18	83	4221603584	28 4221 60358 0	3	Kozlík	001	
19	83	9961911204	N		Pružná podložka B12 TGL740GZN	002	
20	83	4221603631	28 4221 60363 0	6	VZpěra	004	
21	83	4221603307	28 4221 60330 0	5	Podpěra	001	
22	83	9930931054	N		Šroub M10 x 30 TGL0558GZNC	004	
23	83	9960962047	N		Podložka 10,5 TGL8328GZNC	0/12	
24	83	9961911085	N		Pružná podložka B10 TGL7403GZN	006	
25	83	9950896118	N		Maticice M10 TGL09346GZN	006	
26	83	9930929340	N		Šroub M6 x 16 TGL0558GZNC	008	
27	83	9971901715	N		Dvouhrotý nýt 4 x 8 x 8 x 14	006	
28	83	9961910847	N		Pružná podložka B6 TGL7403GZNC	010	
29	83	9950896503	N		Maticice M12 TGL09346GZNC	008	
30	83	9930929404	N		Šroub M6 x 20 TGL0558GZNC	005	
31	83	9950895711	N		Maticice M6 TGL09346GZNC	007	
32	83	9961919943	N		Pružná podložka 6 TGL2927	003	
33	83	9961921608	N		Podložka A7 TGL0440GZNC	009	
34	83	9930931910	N		Šroub M12 x 30 TGL093388GZNC	002	
35	83	9960922031	N		Podložka 13 TGL8328GZNC	002	
36	83	4228671857	28 4228 67185 0	6	Nocník	001	=
37	83	4228671845	28 4228 67184 0	5	PKlička	001	=

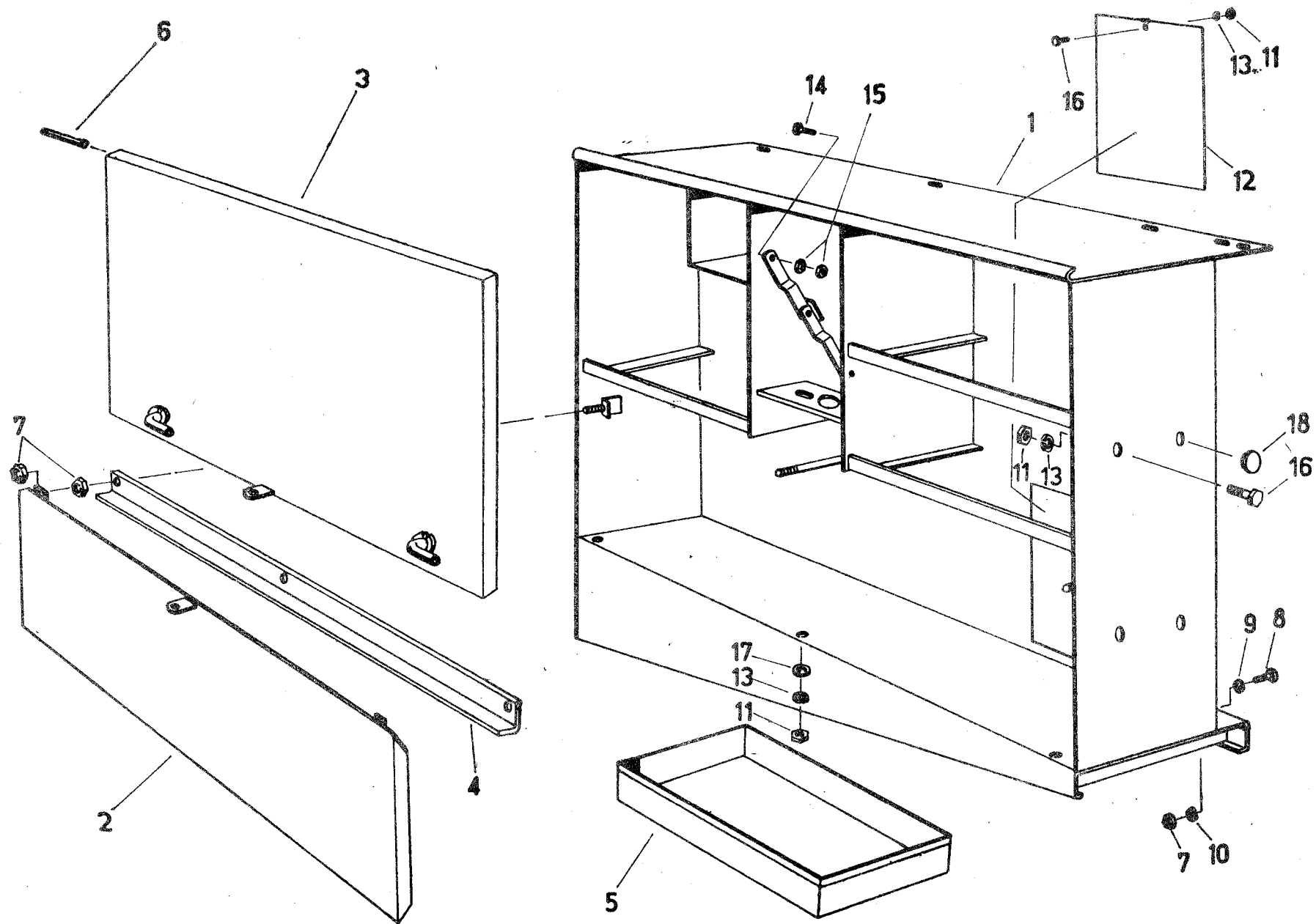
STROJ: 4 3 332

SKLÍZECÍ MLÁTIČKA

E-512

TABULKA: 033

Čís. poz.	Roč.	Katalogové číslo	Obchodní číslo zboží	KZ	Název zboží	Kusy	Provedení
38	83	9933930942	N		Šroub M10 × 20 TGL093388GZNC	002	=
39	83	9961911085	N		Pružná podložka B10 TGL7403GZN	002	=
40	83	9961910976	N		Pružná podložka B8 TGL7403GZNC	004	=
41	83	9972879345	28 9972 87934 0	3	Patka 28 TGL 1051408	002	=
42	83	9938927766	N		Šroub s coc. hl. BM6 × 35 TGL08548	002	
43	83	9960921553	N		Podložka 6,4 TGL17774GZN	002	
44	83	N	N		Kryt roury	001	
45	83	9933957936	N		Šroub M8 × 20 TGL093348GZNC	004	
46	83	9960919831	N		Podložka 8,4 TGL8328GZNC	004	
47	83	9950895881	N		Matice M8 TGL09346GZN	004	
48	83	4221623258	28 4221 62325 0	8	Uzávěr	002	



TABULKA 34

TABULKA: 034

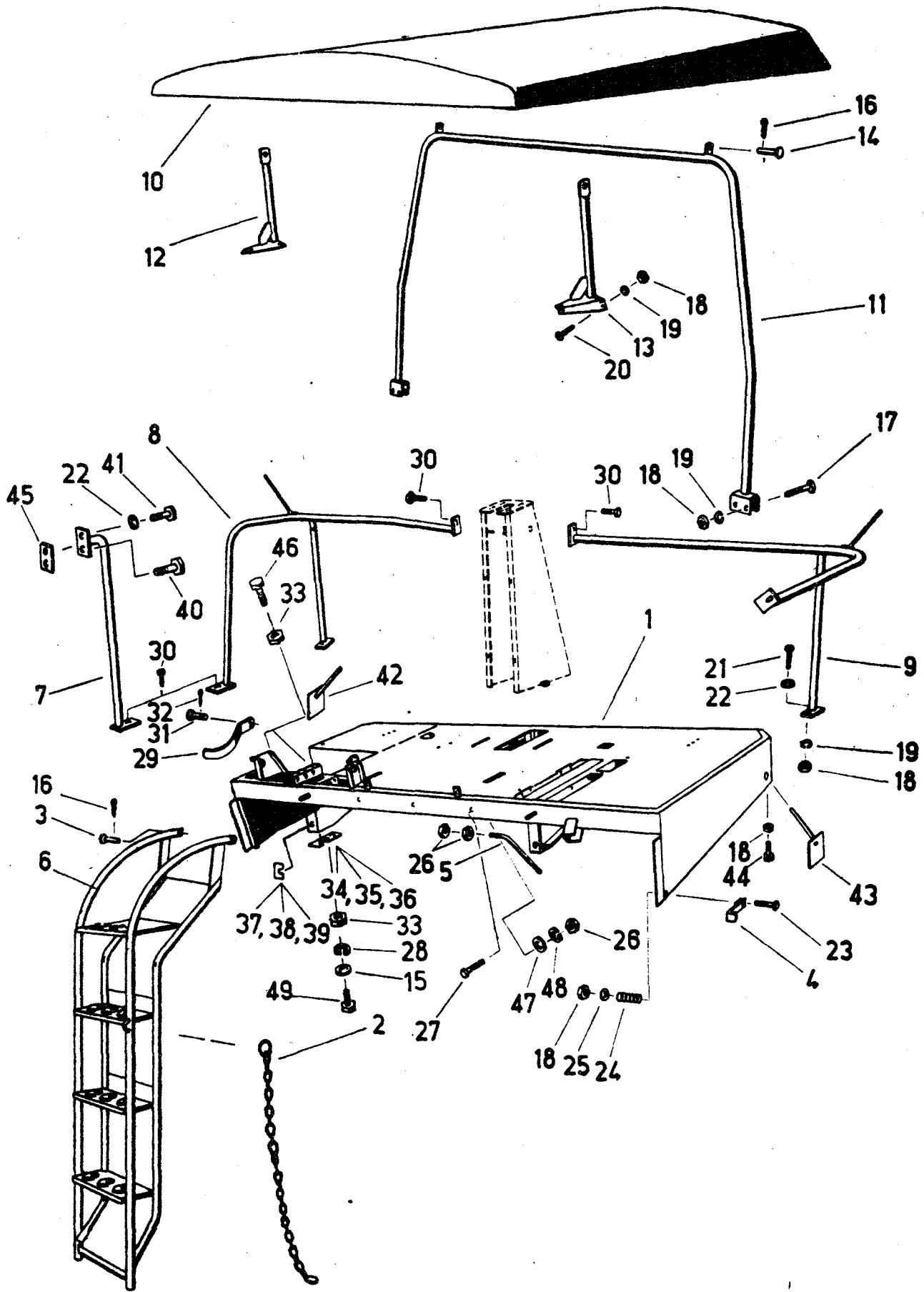
STROJ: 4 3 312

SKLÍZECÍ MLÁTIČKA

E-512

TABULKA: 034

Čís. poz.	Roč.	Katalogové číslo	Obchodní číslo zboží	KZ	Název zboží	Kusy	Provedení
1	83	4221612175	28 4221 61217 0	1	Skříň	001	
2	83	4221612126	28 4221 61212 0	6	Stěna	001	
3	83	4221612134	28 4221 61213 0	5	Klapka	001	
4	83	4221612142	28 4221 61214 0	4	Úhelník	001	
5	83	4221612150	28 4221 61215 0	3	Skříň	002	
6	83	4221612167	28 4221 61216 0	2	Čep	002	
7	83	9950896503	N		Maticice M12 TGL09346GZNC	009	
8	83	9933930901	N		Šroub M10 x 20 TGL0558GZNC	003	
9	83	9960962047	N		Podložka 10,5 TGL8328GZNC	003	
10	83	9961911085	N		Pružná podložka B10 TGL7403GZN	003	
11	83	9950895831	N		Maticice M8 TGL09346GZN	006	
12	83	4221612183	28 4221 61218 0	0	Víko	001	
13	83	9961910976	N		Pružná podložka B8 TGL7403GZNC	006	
14	83	9930929404	N		Šroub M6 x 20 TGL0558GZNC	001	
15	83	9950895711	N		Maticice M6 TL09346GZNC	002	
16	83	9930929871	N		Šroub M8 x 16 TGL0558GZNC	005	
17	83	9960919631	N		Podložka 8,4 TGL8328GZNC	001	
18	83	10898004	N		Tlumič K44503	004	



TABULKA: 035

STROJ: 4 3 332

SKLÍZECÍ MLÁTIČKA

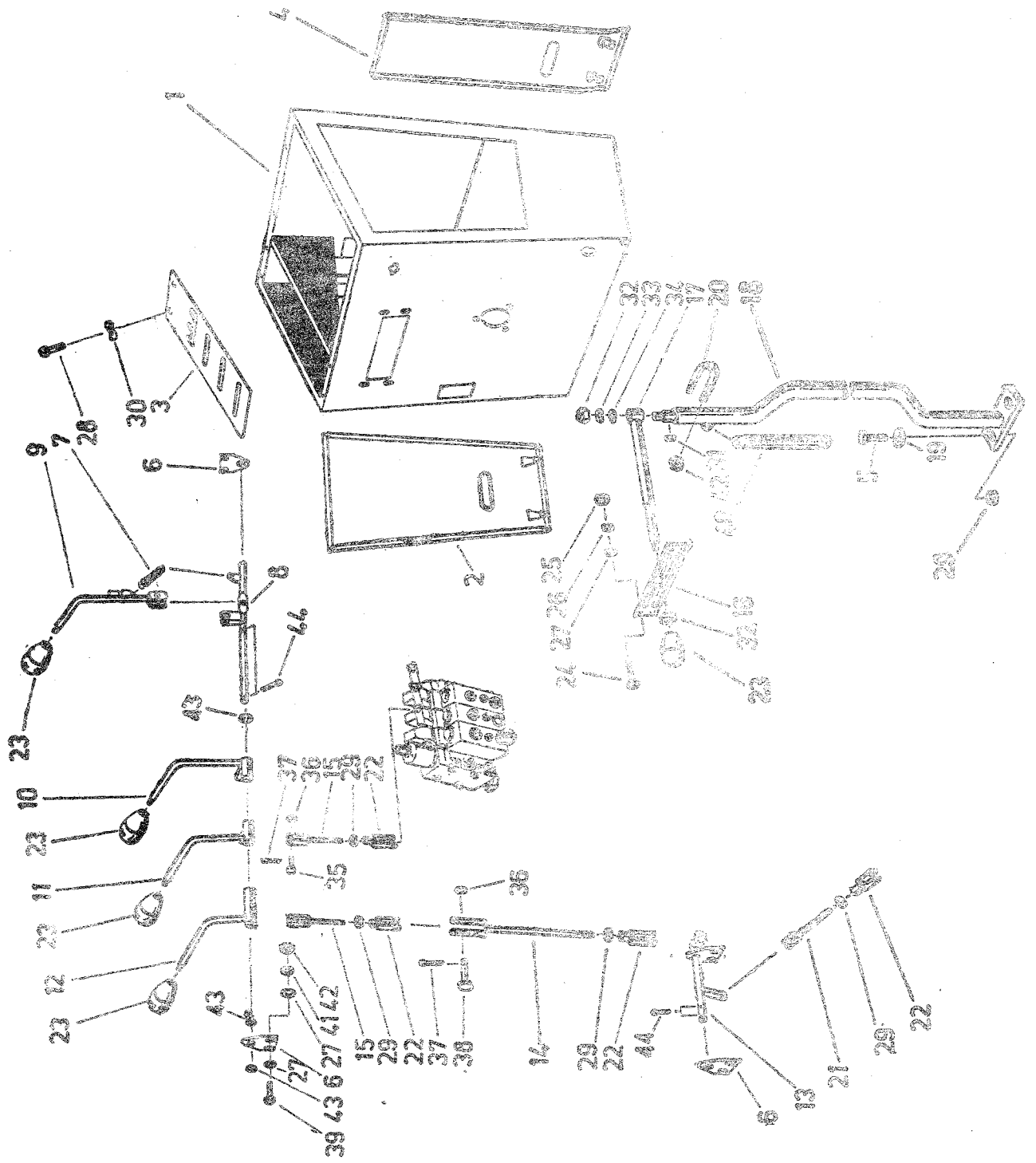
E-512

TABULKA: 035

Čís. poz.	Roč.	Katalogové číslo	Obchodní číslo zboží	KZ	Název zboží	Kusy	Provedení
1	83	5550140010	N		Rám	001	
2	83	4221656491	N		Uzlovaný řetěz 3,4 × 46 TGL4738	001	
3	83	9949863257	28 9949 86325 0	1	Čep 10H 11 × 45 × 38 TGL18010GZNC	002	
4	83	4221604310	28 4221 60431 0	3	Zástrčka	002	
5	83	4221604327	28 4221 60432 0	2	Tažná tyč	001	
6	83	4221606796	28 4221 60679 0	5	Výstup	001	
7	83	4221606626	28 4221 60662 0	4	Zadní část	001	
8	83	4221606650	28 4221 60665 0	1	Přední část	001	
9	83	4221606675	28 4221 60667 0	9	Boční část	001	
10	83	4221650500	28 4221 65050 0	4	Posuvná střecha	001	
11	83	4221650525	28 4221 65052 0	2	Nosná trubka	001	
12	83	4221650533	28 4221 65053 0	1	Vzpěra	001	
13	83	4221650541	28 4221 65054 0	0	Vzpěra	001	
14	83	9949863111	28 9949 86311 0	7	Čep 10H 11 × 25 × 20 TGL18010GZNC	004	
15	83	9960962047	N		Podložka 10,5 TGL8328GZNC	002	
16	83	9963949762	N		Závlačka 3,2 × 16 TGL094STGCDC	006	
17	83	9932930373	N		Šroub M8 × 45 TGL093188GZNC	004	
18	83	9950895881	N		Maticе M8 TGL09346GZN	026	
19	83	9961910976	N		Pružná podložka B8 TGL7403GZNC	024	
20	83	9933929860	N		Šroub M8 × 16 TGL093388GZNC	008	
21	83	9930930078	N		Šroub M8 × 25 TGL0558GZNC	006	
22	83	9960919831	N		Podložka 8,4 TGL8328GZNC	010	
23	83	9930930623	N		Šroub M8 × 45 TGL0558GZNC	002	
24	83	9973879705	28 9973 87970 0	7	Tl. pružina A1,8 × 12 × 7,5 TGL18395	002	
25	83	9960921633	N		Podložka 8,4 TGL17774STGZNC	002	
26	83	9950896503	N		MFaticе M12 TGL09346GZNC	013	
27*	83	N	N		Šroub M12 × 25S TGL09338,8GZNC	003	
28	83	9961911085	N		Pružná podložka B10 TGL7403GZN	002	
29	83	4221606827	28 4221 60682 0	0	Držák	001	
30	83	9930929984	N		Šroub M8 × 20 TGL0558GZNC	004	
31	83	9949863441	28 9949 86344 0	8	Čep 12H 11 × 30 × 24 TGL18010GZNC	001	
32	83	9963949947	N		Závlačka 4 × 20 TGL094STGCDC	001	
33	83	9950896118	N		Maticе M10 TGL09346GZN	003	
34	83	4228604337	28 4228 60433 0	7	Příložka 3mm	000	
35	83	4228604345	28 4228 60434 0	6	Příložka 2mm	000	
36	83	4228604353	28 4228 60435 0	5	Příložka 1mm	000	
37	83	4228604361	28 4228 60436 0	4	Příložka 3mm	000	

STROJ: 4 3 332**SKLÍZECÍ MLÁTIČKA****E-512****TABULKA: 035**

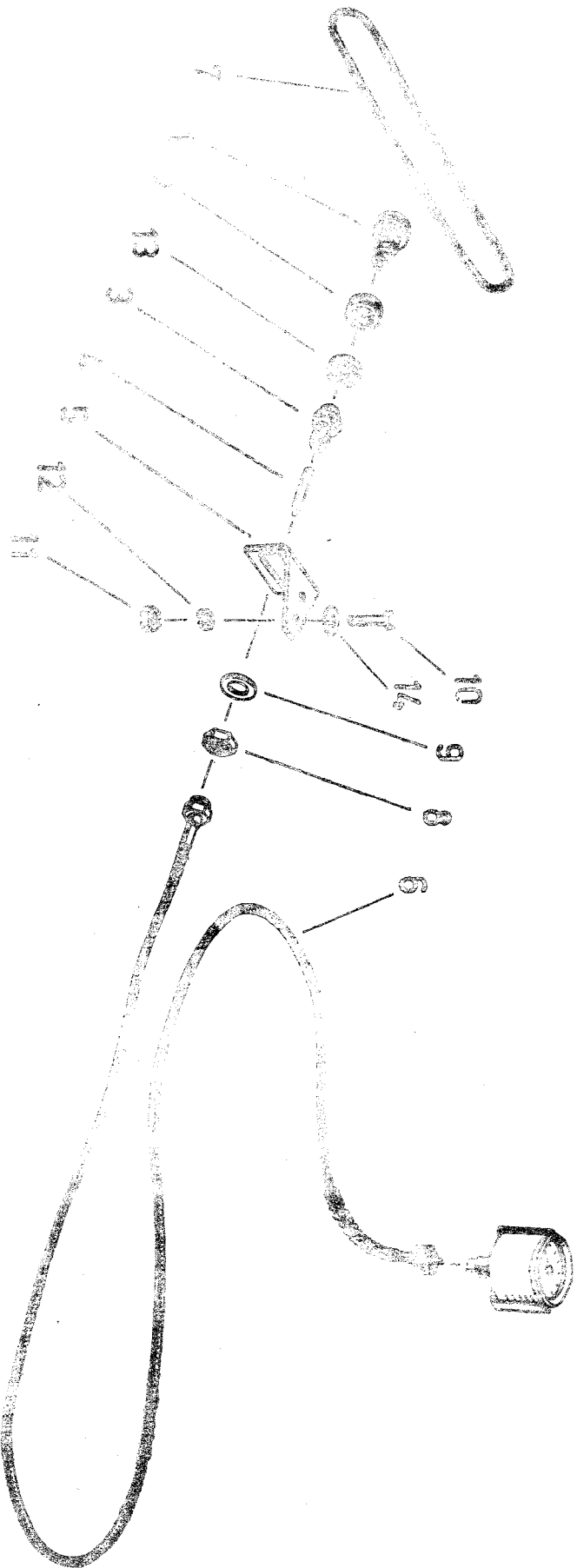
Čís. poz.	Roč.	Katalogové číslo	Obchodní číslo zboží	KZ	Název zboží	Kusy	Provedení
38	83	4228604378	28 4228 60437 0	3	Příložka 2mm	000	
39	83	4228604386	28 4228 60438 0	2	Příložka 1mm	000	
40	83	N	N		Šroub M8 × 35 TGL0558 GZNC	001	
41	83	9930930100	N		Šroub M8 × 30 TGL0558GZNC	001	
45	83	4221606683	28 4221 60668 0	8	Příložka	001	
46	83	9933959673	N		Šroub M10 × 40 TGL093348GZNC	001	
47	83	9960922031	N		Podložka 13 TGL8328GZNC	005	
48	83	9961911204	N		Pružná podložka B12 TGL7403GZN	009	
49	83	9933957944	N		Šroub M10 × 25 TGL093348GZNC	002	



Čís. poz.	Roč.	Katalogové číslo	Obchodní číslo zboží	KZ	Název zboží	Kusy	Provedení
1	83	4221604712	28 4221 60471 0	5	Spínací skříň	001	
2	83	4221604962	28 4221 60496 0	6	Víko	001	
3	83	4221604833	28 4221 60483 0	1	Kryt	001	
4	83	4221604987	28 4221 60498 0	4	Víko	001	
5	83	9930931054	N		Šroub M10 × 30 TGL0558GZNC	002	
6	83	4221604786	28 4221 60478 0	8	Ložisko	004	
7	83	4221651085	28 4221 65108 0	5	Tažné pero	001	
8	83	4221605022	28 4221 60502 0	7	Hřídel	001	
9	83	4221605047	28 4221 60504 0	5	Páka plynu	001	
10	83	4221605063	28 4221 60506 0	3	Ruční páka	001	
11	83	4221605088	28 4221 60508 0	1	Ruční páka	001	
12	83	4221605102	28 4221 60510 0	7	Ruční páka	001	
13	83	4221605143	28 4221 60514 0	3	Kloub	001	
14	83	4221605168	28 4221 60516 0	1	Tlačná tyč	001	
15	83	4221604858	28 4221 60485 0	9	Tažná vidlice	003	
16	83	4221604913	28 4221 60491 0	1	Kulisa ražení	001	
17	83	4221604890	28 4221 60489 0	5	Ruční páka	001	
18	83	4221604874	28 4221 60487 0	7	Vodící tyč	001	
19	83	9965921846	N		Podložka 11 × 25 × 3 FON14510	002	
20	83	4221604938	28 4221 60493 0	9	Třmenový šroub	001	
21	83	4221605184	28 4221 60518 0	9	Tlačná vidlice	001	
22	83	9969883224	28 9969 88322 0	8	Hlava vidlice 10 × 40 TGL071752	005	
23	83	9910883885	N		Rukojeť B40 TGL2950	005	
24	83	9941934560	N		zap. šroub BM8 × 20 TGL568348	004	
25	83	9950895881	N		Matice M8 TGL09346GZN	004	
26	83	9961910976	N		Pružná podložka B8 TGL7403GZNC	004	
27	83	9960919811	N		Podložka 8,4 TGL8326GZNC	030	
28	83	9936938143	N		Val. šroub AM5 × 10 TGL08458GZNC	004	
29	83	9950896118	N		Matice M10 TGL09346GZN	007	
30	83	9961919863	N		Pružná podložka 5 TGL0137GZNC	004	
31	83	9965955910	28 9965 95591 0	6	Hranolové pero A6 × 6 × 20 TGL9500	001	
32	83	9950896503	N		Matice M12 TGL09346 GZNC	002	
33	83	9961911204	N		Pružná podložka B12 TGL7403GZN	001	
34	83	9960923266	N		Podložka 13 TGL0125STGZN	001	
35	83	9949863072	28 9949 86307 0	3	Čep 10H 11 × 30 × 24 TGL18010	009	
36	83	9960921787	N		Podložka 10,5 TGL17774STGZNC	010	
37	83	9963949762	N		Závlačka 3,2 × 16 TGL094STGCD	010	

STROJ: 4 3 332**SKLÍZECÍ MLÁTIČKA****E-512****TABULKA: 036**

Čís. poz.	Roč.	Katalogové číslo	Obchodní číslo zboží	KZ	Název zboží	Kusy	Provedení
38	83	9949863240	28 9949 86324 0	2	Čep 10H 11 × 36 × 30 TGL18010	001	
39	83	9930929984	N		Šroub M8 × 20 TGL0558GZNC	011	
40	83	9974880956	28 9974 88095 0	3	Taž. pružina A2,8 × 30 × 40TGL18397	001	
41	83	9961910976	N		Pružná podložka B8 TGL7403GZNC	011	
42	83	9950895881	N		Matice M8 TGL09346 GZNC	015	
43	83	9960922353	N		Podložka 17 TGL17774GZNC	003	
44	83	9963949988	N		Závlačka 4 × 25 TGL094STGCD	004	



TABULKA: 037

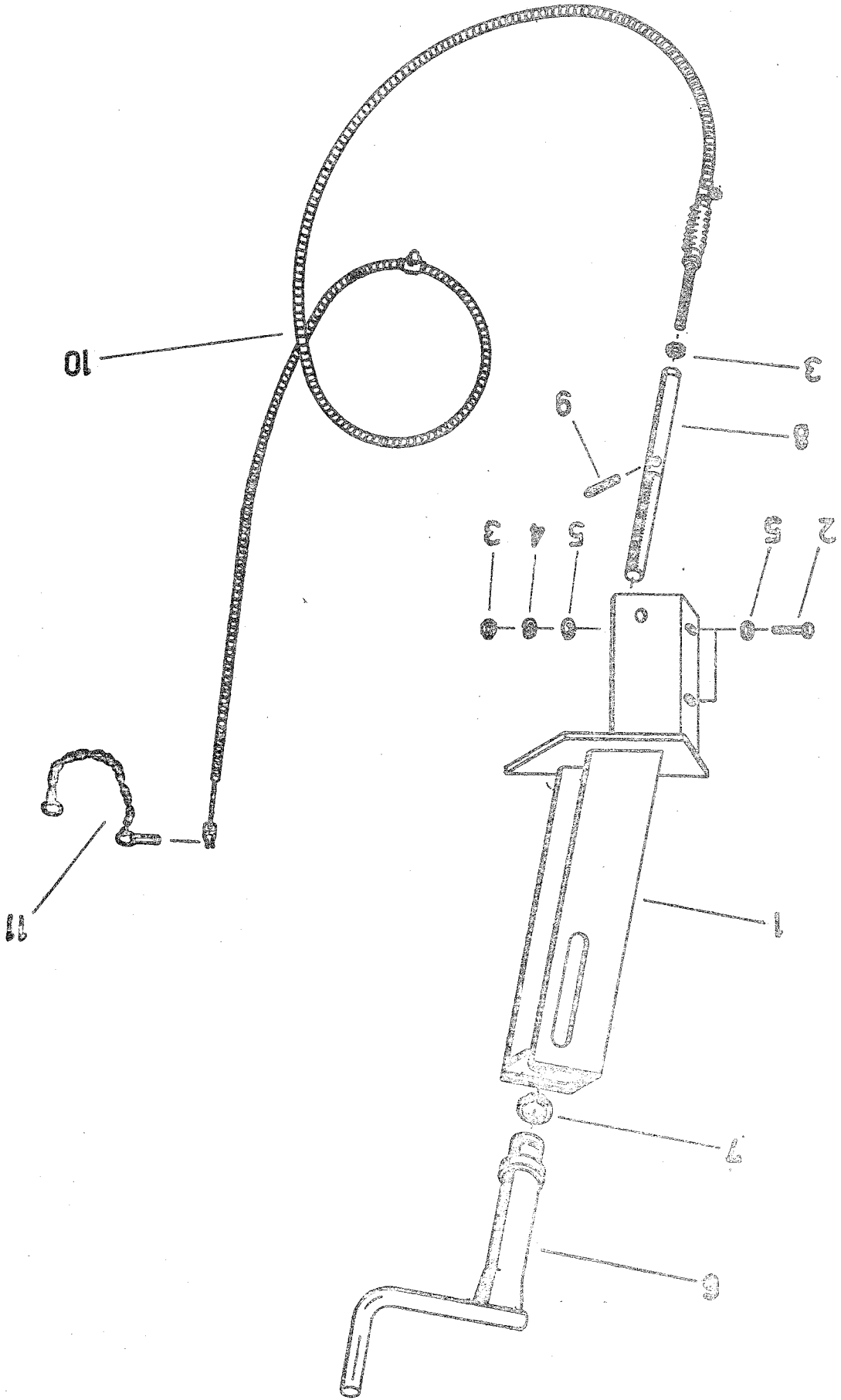
STROJ: 4 3 332

SKLÍZECÍ MLÁTIČKA

E-512

TABULKA: 037

Čís. poz.	Roč.	Katalogové číslo	Obchodní číslo zboží	KZ.	Název zboží	Kusy	Provedení
1	83	4221613625	28 4221 61362 0	5	Sáhmací část	001	
2	83	4221613713	28 4221 61371 0	4	Klíčová řemenice	001	
3	83	4221613758	28 4221 61373 0	2	Uložení	001	
4	83	4221613746	28 4221 61374 0	1	Unášeč	001	
5	83	4221613682	28 4221 61368 0	9	Stavěcí Uhelník	001	
6	83	9913862523	28 9913 36252 0	4	Ohebný hřídel A2/H2-2200	001	
7	83	9911861268	28 9911 36126 0	1	Kruhový řemen 5 × 1100	001	
8	83	N	N		Mřátice M22 × 1,5 TGL09366GZNC	001	
9	83	9960919727	N		Podložka 23 TGL8328GZNC	001	
10	83	9930929984	N		Šroub M6 × 20 TGL0558GZNC	002	
11	83	9950895881	N		Mřátice M8 TGL09346GZNC	002	
12	83	9961910976	N		Prožná podložka B8 TGL7403GZNC	002	
13	83	9902890097	10 7050 01000 0	4	Kuličkové ložisko 6001	001	
14	83	9960919831	N		Podložka 3,4 TGL8328GZNC	002	



TABULKA: 038

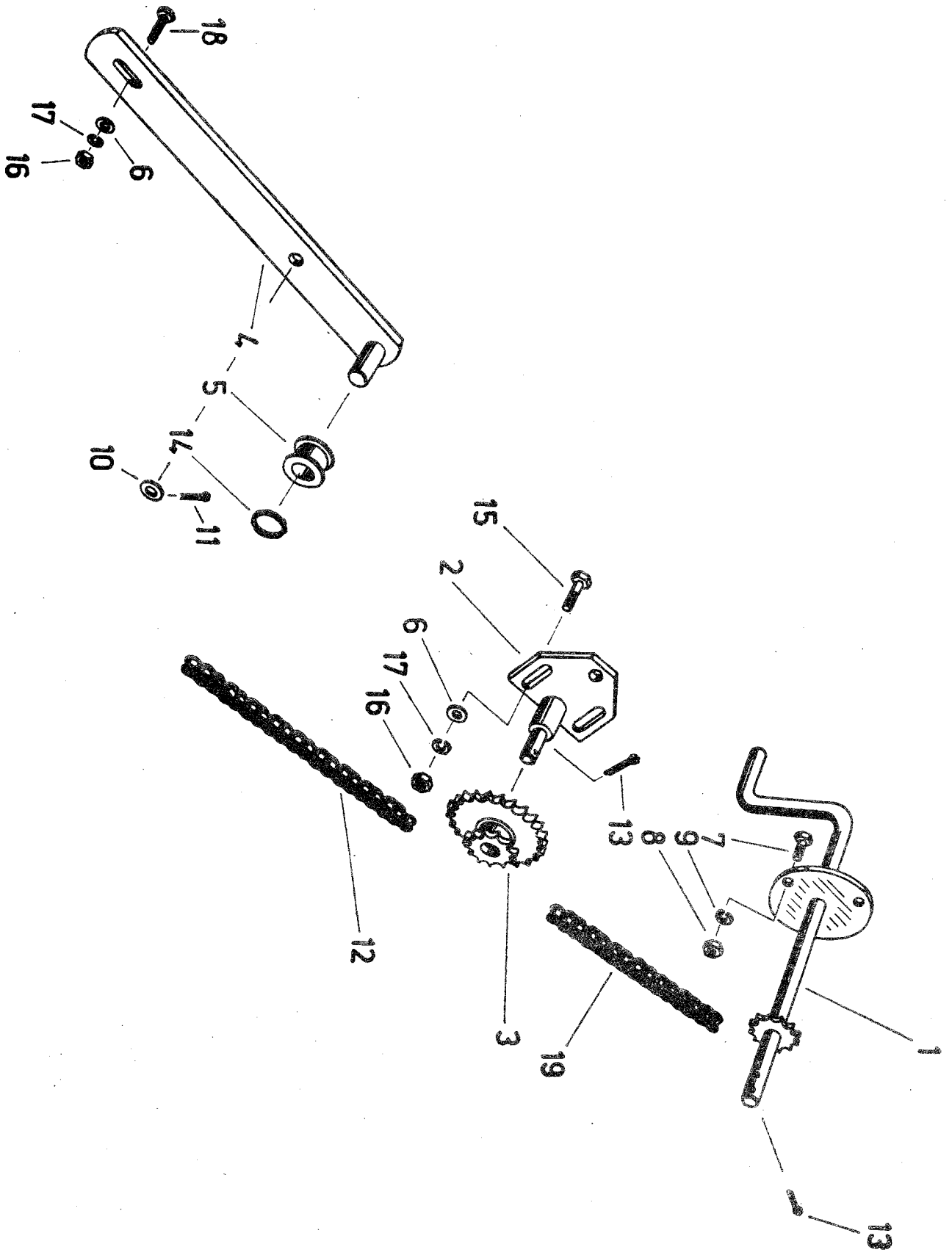
STROJ: 4 3 332

SKLÍZECÍ MLÁTIČKA

E-512

TABULKA: 038

Čís. poz.	Roč.	Katalogové číslo	Obchodní číslo zboží	KZ	Název zboží	Kusy	Provedení
1	83	4221602341	28 4221 60234 0	2	Přístavný kozlík	001	
2	83	9930930986	N		Šroub M10 × 25 TGL0558GZNC	002	
3	83	9950896118	N		Maticе M10 TGL09346GZN	003	
4	83	9961911085	N		Pružná podložka B10TGL7403GZNC	002	
5	83	9960962047	N		Podložka 10,5 TGL8328GZNC	004	
6	83	4221602358	28 4221 60235 0	1	Vedení vřetena	001	
7	83	9964917215	N		Pojistný kroužek 30 TGL0471	001	
8	83	4221602366	28 4221 60236 0	0	Vřeteno s maticí	001	
9	83	N	N		Kolík val. 10 × 70 TGL014735.8	001	
10	83	4221612390	28 4221 61239 0	5	Brzdové lanko	001	
11	83	4221602382	28 4221 60238 0	8	Čep s kruhem	001	



TABULKA: 039

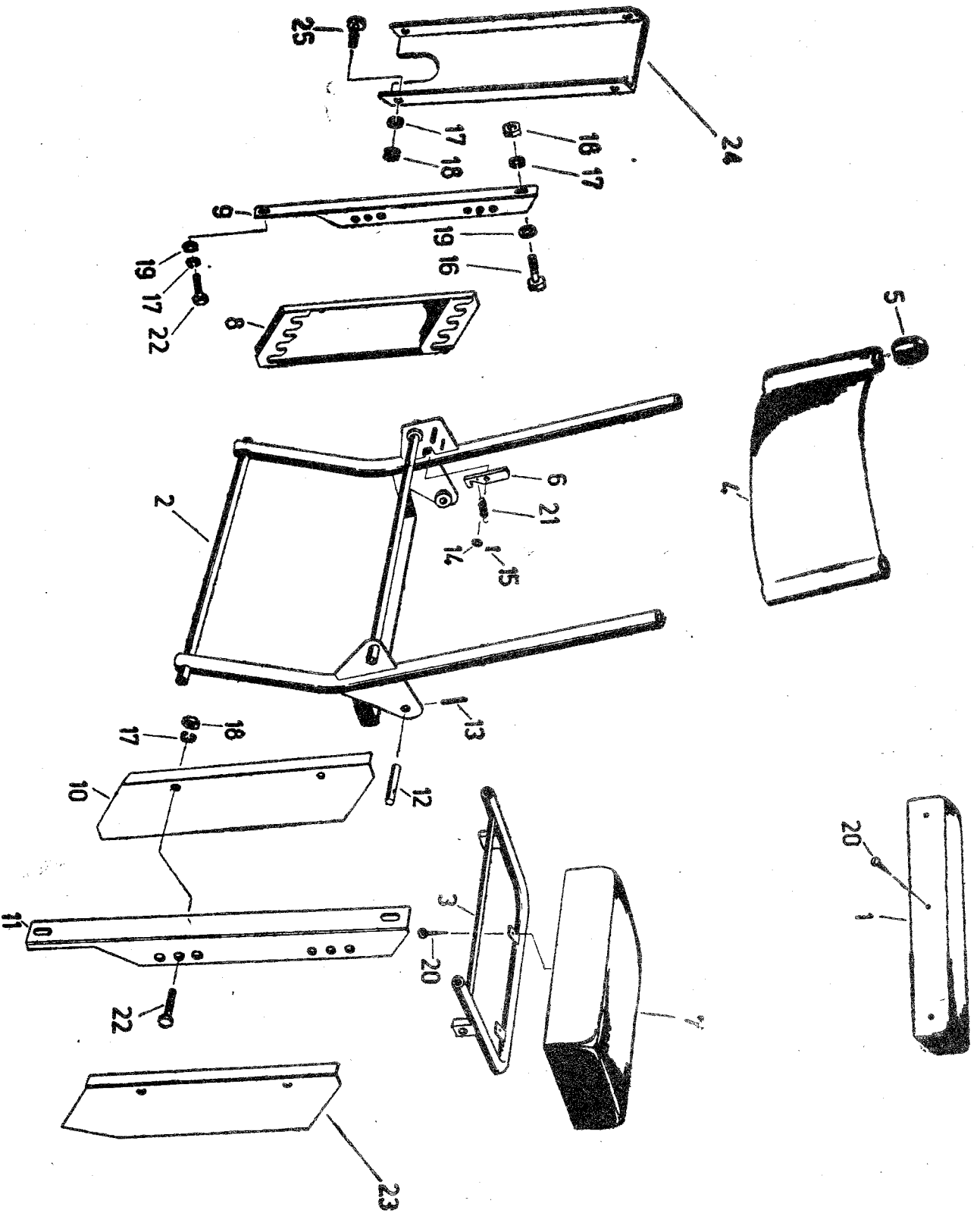
STROJ: 4 3 332

SKLÍZECÍ MLÁTIČKA

E-512

TABULKA: 039

Čís. poz.	Roč.	Katalogové číslo	Obchodní číslo zboží	KZ	Název zboží	Kusy	Provedení
1	83	4221612480	28 4221 61248 0	4	Ruční klika	001	
2	83	4221612552	28 4221 61255 0	5	Deska	001	
3	83	4221612577	28 4221 61257 0	3	Vratná kladka	001	
4	83	4221612608	28 4221 61260 0	8	Napínací rameno	001	
5	83	4221612536	28 4221 61253 0	7	Kladka	001	
6	83	9960962047	N		Podložka 10,5 TGL8328GZNC	005	
7	83	9930929871	N		Šroub M8 × 16 TGL0558GZNC	001	
8	83	9950895881	N		Šroub M8 TGL09346GZN	005	
9	83	9961910968	N		Pružná podložka B8 TGL7403	005	
10	83	9960921988	N		Podložka 13 TGL1774STGZNC	001	
11	83	9963949947	N		Závlačka 4 × 20 TGL094STGCDC	001	
12	83	9917906188	28 9917 90618 0	5	Val. řetěz 1 × 12,7 × 7,75 × 180	001	
13	83	9963949988	N		Závlačka 4 × 25 TGL094STGCDC	003	
14	83	9964917168	N		Pojistný kroužek 20 TGL0471	001	
15	83	9930931054	N		Šroub M10 × 30 TGL0558GZNC	003	
16	83	9950896118	N		Maticice M10 TGL09346GZN	004	
17	83	9961911085	N		Pružná podložka B10 TGL7403GZN	004	
18	83	9930931150	N		Šroub M10 × 35 TGL0558GZNC	001	
19	83	9917906171	28 9917 90617 0	6	Val. řetěz 1 × 12,7 × 7,75 × 104	001	



TABULKA: 040

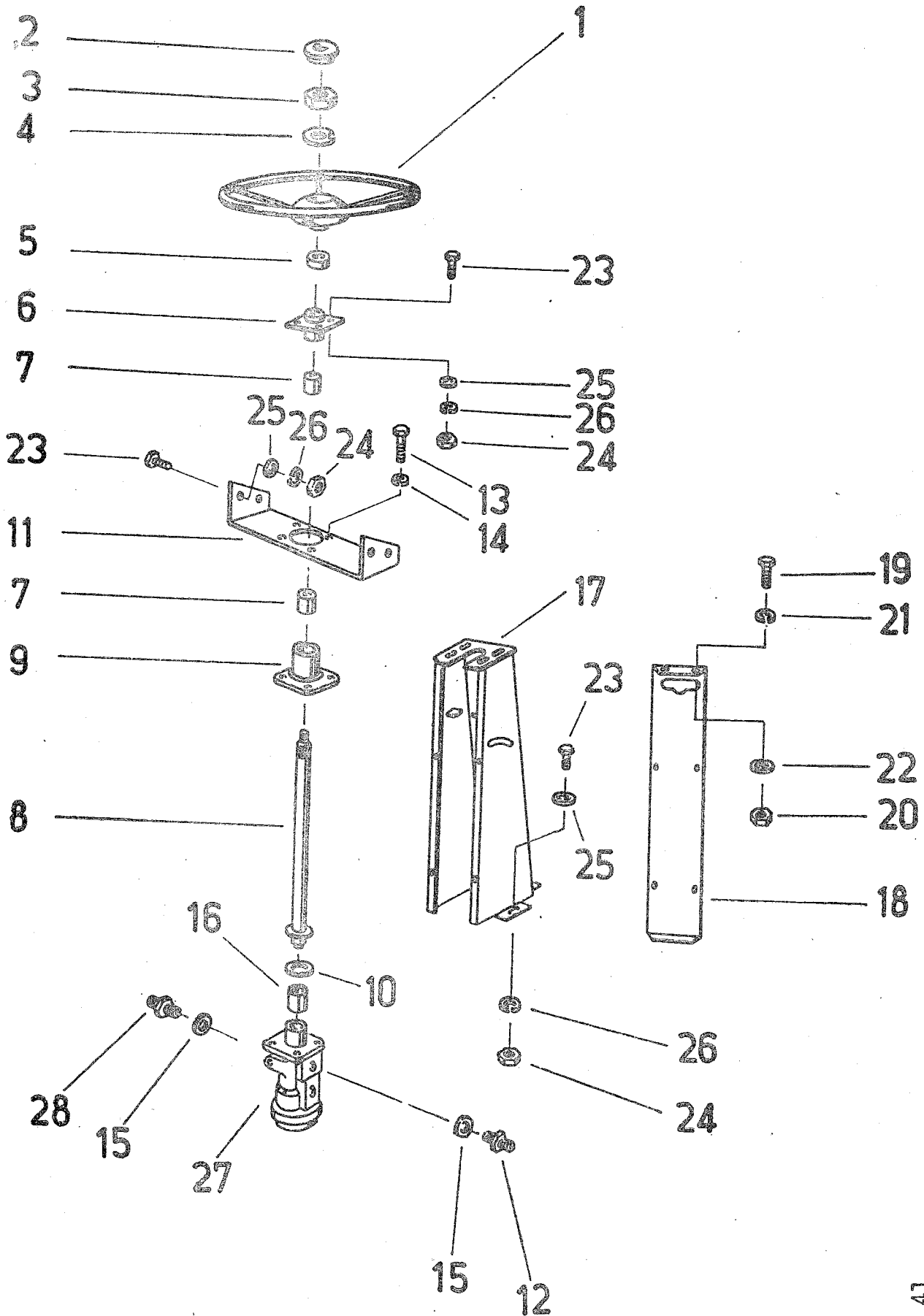
STROJ: 4 3 332

SKLÍZECÍ MLÁTIČKA

E-512

TABULKA: 040

Čís. poz.	Roč.	Katalogové číslo	Obchodní číslo zboží	KZ	Název zboží	Kusy	Provedení
1	83	4221653921	28 4221 65392 0	1	Opěra hlavy	001	
2	83	4221604456	28 4221 60445 0	7	Hlavní rám	001	
3	83	4221604472	28 4221 60447 0	5	Rám sedadla	001	
4	83	4221604497	28 4221 60449 0	3	Opěradlo	001	
5	83	9972947856	28 9972 94785 0	9	Ochranné víčko A27 × 30 FON16625	002	
6	83	4221604528	28 4221 60452 0	8	Západka	001	
7	83	4221653938	28 4221 65393 0	0	Polštář sedadla	001	
8	83	4221604560	28 4221 60456 0	4	Přestavná stěna	001	
9	83	4221604585	28 4221 60458 0	2	Úhelník	001	
10	83	4221604608	28 4221 60460 0	8	Přestavná stěna	001	
11	83	4221604624	28 4221 60462 0	6	Úhelník	001	
12	83	9949863505	28 9949 86350 0	0	Čep 12 × 40 TGL01433	002	
13	83	9967941936	N		Zalícovaný kolík 4 × 25 TGL01472	002	
14	83	9960924988	N		Podložka 13 TGL17774STGZNC	001	
15	83	9963949947	N		Závlačka 4 × 20 TGL094STG CDC	001	
16	83	9930930986	N		Šroub M10 × 25 TGL0558GZNC	002	
17	83	9961911085	N		Pružná podložka B10 TGL7403GZN	012	
18	83	9950896118	N		Matice M10 TGL09346GZN	010	
19	83	9960962047	N		Podložka 10,5 TGL8328GZNC	004	
20	83	9944927044	N		Vrut 5 × 20 TGL09648	007	
21	83	9974880884	28 9974 88088 0	2	Taž. pružina A1,8 × 12 × 16TGL18397	001	
22	83	9933930901	N		Šroub M10 × 20 TGL0558GZNC	006	
25	83	9933959753	N		Šroub M10 × 20 TGL093348GZNC	004	



TABULKA: 041

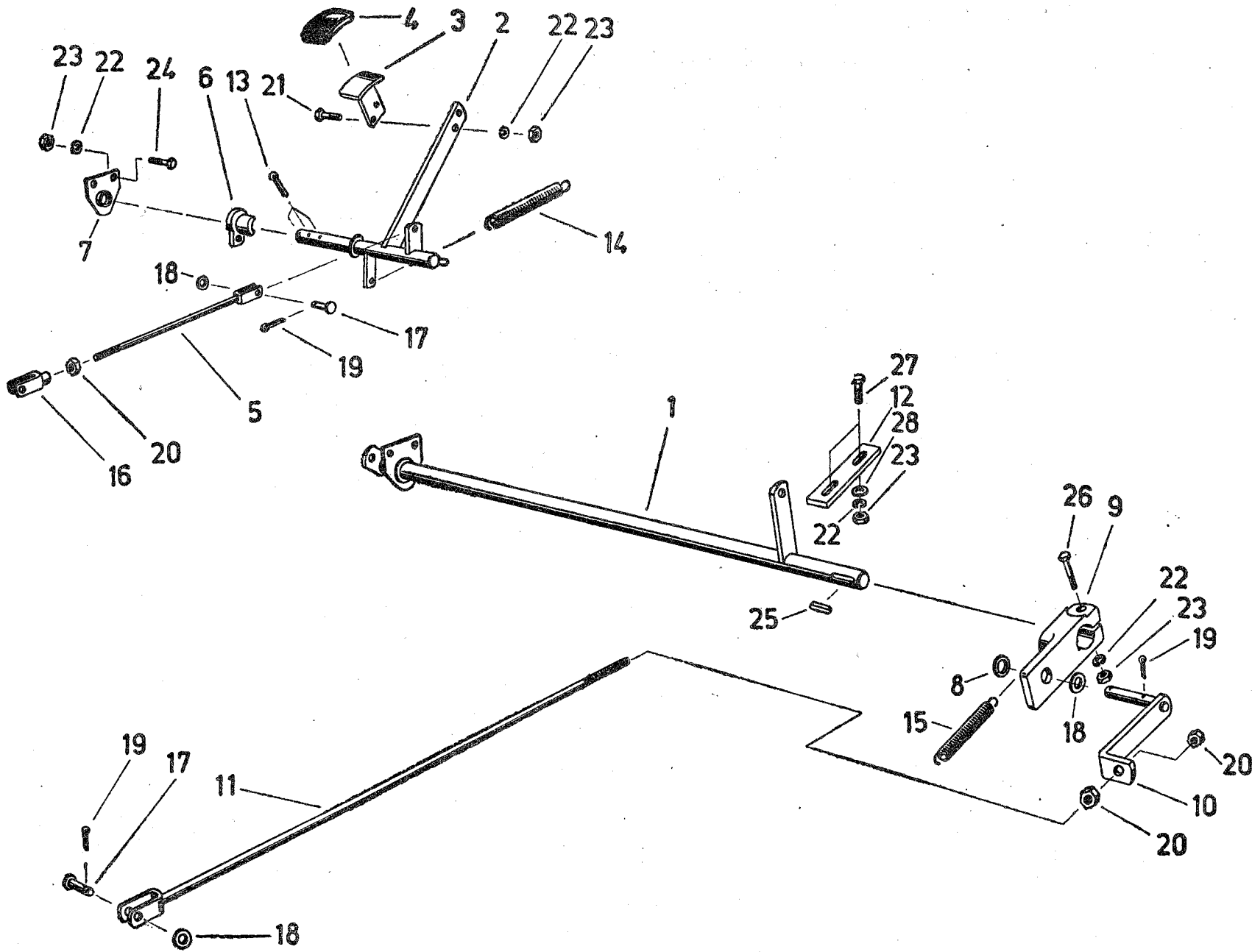
STROJ: 4 3 332

SKLÍZEČÍ MLÁTIČKA

E-512

TABULKA: 041

Čís. poz.	Roč.	Katalogové číslo	Obchodní číslo zboží	KZ	Název zboží	Kusy	Provedení
1	83	4131771873	28 4131 77187 0	6	Volant	001	
1A	83	294728-02.1	N		Volant s víčkem	001	+
2	83	9972893503	28 9972 89350 0	5	Čepička volantu tvaru C.033011	001	
3	83	9950897738	N		Matice M20 × 1,5 TGL09366GZNC	001	
4	83	9962923721	28 9962 92372 0	3	Pojistka 22 TGL0432STGZN	001	
5	83	4221608837	28 4221 60883 0	7	Vložená podložka	001	
6	83	4221608804	28 4221 60880 0	0	Ložisko	001	
7	83	9926867708	28 9926 86770 0	0	Pouzdro 2F25/32 × 28EWFS71	001	
8	83	4221609034	28 4221 60903 0	2	Sloupek řízení	001	
9	83	4032802980	28 4032 80298 0	5	Kryt	001	
10	83	4032802997	28 4032 80299 0	4	Podložka	001	
11	83	4221609026	28 4221 60902 0	3	Konsola	001	
12	83	9969945384	28 9969 94538 0	5	Hrdlo L15M-01 TGL10858	002	
13	83	9933931027	N		Šroub M10 × 25 TGL0-933-8,8GZNC	004	
14	83	9961911085	N		Pružná podložka B10 TGL7403	004	
15	83	9970908691	28 9970 90869 0	0	Těs. kroužek A18 × 22 TGL07603CU	004	
16	83	4221647972	28 4221 64797 0	4	Pouzdro	001	
17	83	4221608443	28 4221 60844 0	4	Kryt	001	
18	83	4221608484	28 4221 60848 0	0	Zadní stěna	001	
19	83	9930929340	N		Šroub M6 × 16 TGL0558GZNC	006	
20	83	9950895711	N		Matice M6 TGL09346GZN	002	
21	83	9961910847	N		Pružná podložka B6 TGL7403GZN	006	
22	83	9960919856	N		Podložka 6,4 TGL8328GZNC	006	
23	83	9930929984	N		Šroub M8 × 20 TGL0558GZNC	012	
24	83	9950895881	N		Matice M8 TGL09346GZN	012	
25	83	9960919831	N		Podložka 8,4 TGL8328GZNC	012	
26	83	9961910976	N		Pružná podložka B8 TGL7403GZNC	012	
27	83	4221609050	28 4221 60905 0	0	Skříň řízení 8012 TGL21534	001	
28	83	9969945167	28 9969 94516 0	1	Hrdlo 15 × 12160 TGL2513412	002	



TABULKA 42

TABULKA: 042

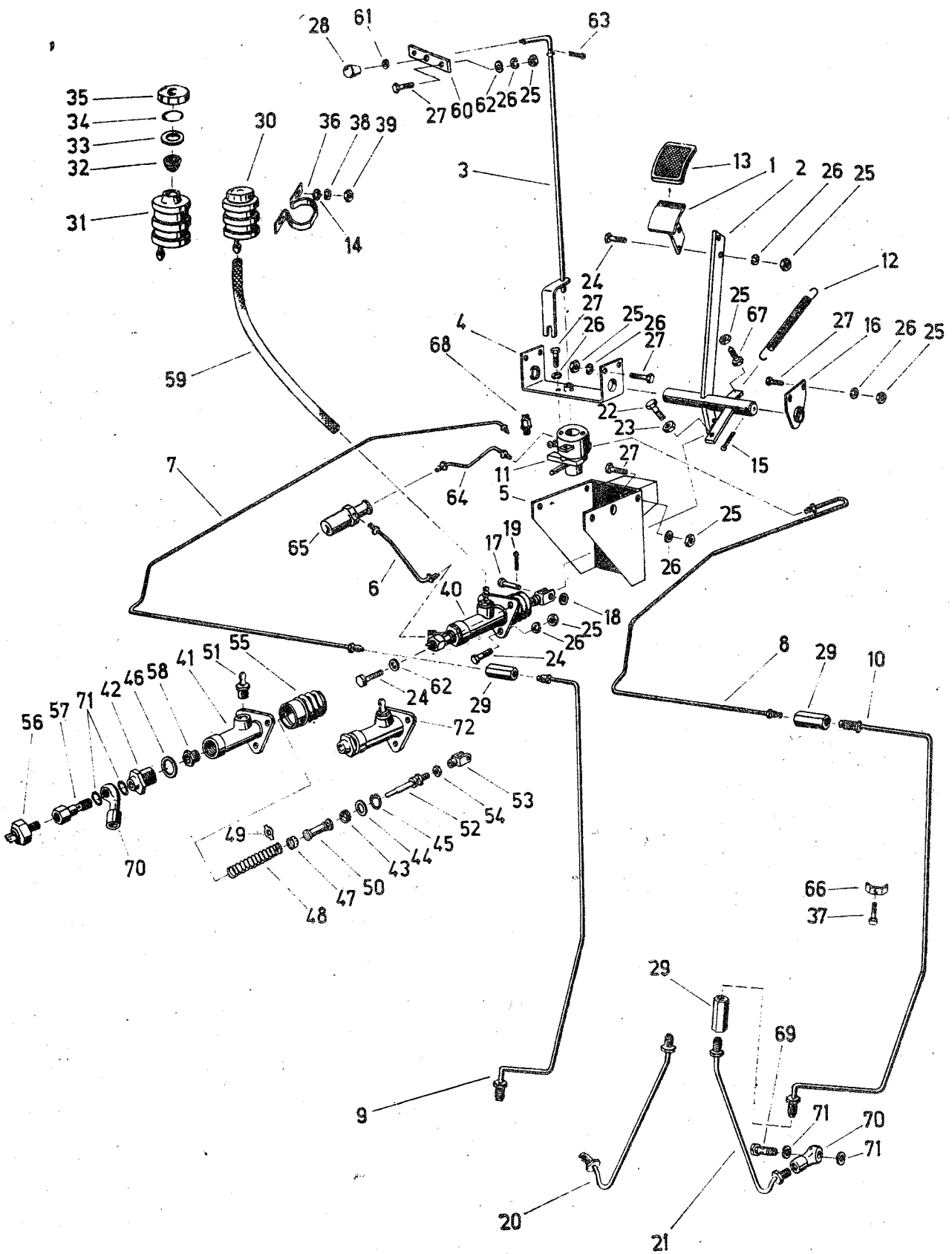
STROJ: 4 3 332

SKLÍZEČÍ MLÁTIČKA

E-512

TABULKA: 042

Čís. poz.	Roč.	Katalogové číslo	Obchodní číslo zboží	KZ	Název zboží	Kusy	Provedení
1	83	4221605223	28 4221 60522 0	3	Převodový hřídel	001	
2	83	4221605473	28 4221 60547 0	4	Hřídel spojky	001	
3	83	4221605336	28 4221 60533 0	0	Pedál	001	
4	83	4221672514	28 4221 67251 0	7	Potah pedálu	001	
5	83	4221605393	28 4221 60539 0	4	Tažná vidlice	001	
6	83	4221605481	28 4221 60548 0	3	Kloub	001	
7	83	4221605504	28 4221 60550 0	9	Štít ložiska	002	
8	83	9960962047	N		Podložka 10,5 TGL8328GZNC	001	
9	83	4221605377	28 4221 60537 0	6	Upínací kus	001	
10	83	4221605432	28 4221 60543 0	8	Tažná styčnice	001	
11	83	4221605416	28 4221 60541 0	0	Tažná vidlice	001	
12	83	4221605344	28 4221 60534 0	9	Zarážka	001	
13	83	9963950627	N		Závlačka 6,3 × 40 TGL094STGCDC	003	
14	83	9974880956	28 9974 88095 0	3	Taž. pružina A2,8 × 30 × 40AA	001	
15	83	9974880964	28 9974 88096 0	2	Taž. pružina A3,2 × 22 × 25AA	001	
16	83	9969883224	28 9969 88322 0	8	Hlava vidlice 10 × 40 TGL071752	001	
17	83	9949863152	28 9949 86315 0	3	Čep 10H11 × 28 × 22 TGL18010	003	
18	83	9960921787	N		Podložka 10,5 TGL17774STGZNC	004	
19	83	9963949762	N		Závlačka 3,2 × 16 TGL094STGCDC	005	
20	83	9950896118	N		Maticе M10 TGL09346GZN	003	
21	83	9933929973	N		Šroub M8 × 25 TGL093388GZNC	002	
22	83	9961910976	N		Pružná podložka B8 TGL7403GZNC	007	
23	83	9950895881	N		Maticе M8 TGL09346GZN	007	
24	83	9933929860	N		Šroub M8 × 16 TGL093388GZNC	004	
25	83	9965956093	28 9965 95609 0	5	Hranolové pero A8 × 7 × 28 TGL9500	001	
26	83	9932930373	N		Šroub M8 × 45 TGL093188GZNC	001	
27	83	9930929984	N		Šroub M8 × 20 TGL0558GZNC	002	
28	83	9960919831	N		Podložka 8,4 TGL8328GZNC	002	



TABULKA: 043

STROJ: 4 3 332

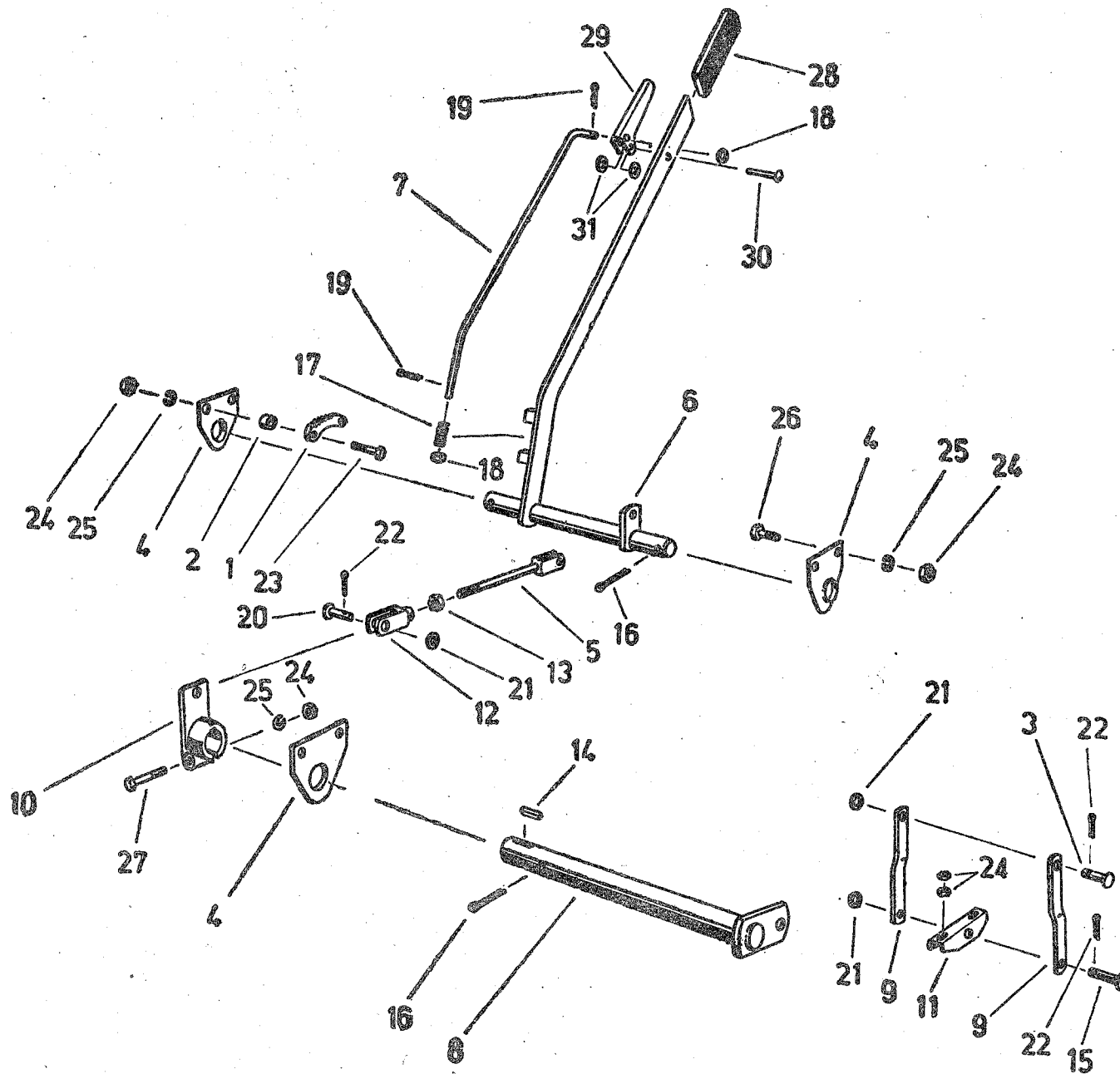
SKLÍZECÍ MLÁTIČKA

E-512

TABULKA: 043

Čís. poz.	Roč.	Katalogové číslo	Obchodní číslo zboží	KZ	Název zboží	Kusy	Provedení
1	83	4221605336	28 4221 60533 0	0	Pedál	001	
2	83	4221606312	28 4221 60631 0	1	Hřidel páky	001	
3	83	4221606273	28 4221 60627 0	7	Nastavovací páka	001	
4	83	4221606378	28 4221 60637 0	5	Kozlík	001	
5	83	4221606458	28 4221 60645 0	5	Konzola	001	
6	83	4221606136	28 4221 60613 0	3	Trubka brzdy	001	
7	83	4221606193	28 4221 60619 0	7	Trubka brzdy	001	
8	83	4221606177	28 4221 60617 0	9	Trubka brzdy	001	
9	83	4221606216	28 4221 60621 0	3	Trubka brzdy	001	
10	83	4221606232	28 4221 60623 0	1	Trubka brzdy	001	
11	83	4221654006	28 4221 65400 0	0	Hydraulický přepínač brzdy	001	
12	83	9974880956	28 9974 88095 0	3	Taž. pružina A2,8 × 30 × 40AA	001	
13	83	4221672514	28 4221 67251 0	7	Potah pedálu	001	
14	83	9960919856	N		Podložka 6,4 TGL8328GZN	002	
15	83	9963950627	N		Závlačka 6,3 × 40 TGL094STGZNC	002	
16	83	4221605504	28 4221 60550 0	9	Štít ložiska	001	
17	83	9949863072	28 9949 86307 0	3	Čep 10H11 × 30 × 24 TGL18010	001	
18	83	9960921787	N		Podložka 10,5 TGL1774STGZNC	001	
19	83	9963949762	N		Závlačka 3,2 × 16 TGL094STCD	001	
20	83	4221606208	28 4221 60620 0	4	Trubka brzdy	001	
21	83	4221606224	28 4221 60622 0	2	Trubka brzdy	001	
22	83	N	N		Šroub M12 × 40 TGL0558GZNC	001	
23	83	9950896407	N		Matice M12 TGL09346GZN	001	
24	83	9930930078	N		Šroub M8 × 25 TGL0558GZNC	005	
25	83	9950895881	N		Matice M8 TGL09346GZN	018	
26	83	9961910976	N		Pružná podložka B8 TGL7403GZNC	019	
27	83	9930929871	N		Šroub M8 × 16 TGL0558GZNC	014	
28	83	9910883860	N		Kulová rukojeť B25TGL2950černá	001	
29	83	9969946578	28 9969 94657 0	1	Spoj. hrdlo M12 × 1 TGL29985/06	004	
30	83	4221653987	28 4221 65398 0	5	Nádrž úplná	001	
31	83	4221672602	28 4221 67260 0	6	Nádrž	001	
32	83	4221672596	28 4221 67259 0	9	Síto úplné	001	
33	83	4221672588	28 4221 67258 0	0	Těsnicí kroužek	001	
34	83	4221672571	28 4221 67257 0	1	Zarážka	001	
35	83	4221672563	28 4221 67256 0	2	Víko	001	
36	83	4221672627	28 4221 67262 0	4	Držák nádoby	001	
37	83	9930929340	N		Šroub M6 × 16 TGL0558GZNC	002	

Čís. poz.	Roč.	Katalogové číslo	Obchodní číslo zboží	KZ	Název zboží	Kusy	Provedení
38	83	9961910847	N		Pružná podložka B6 TGL7403GZNC	002	
39	83	9950895711	N		MFatice M6 TGL09346GZNC	002	
40	83	4221653970	28 4221 65397 0	6	Brzdový válec, prům. 22,2	001	
41	83	4221672491	28 4221 67249 0	1	Těleso úplné prům. 22,2	001	
42	83	4221672715	28 4221 67271 0	3	Závěsný šroub	001	
43	83	4221672723	28 4221 67272 0	2	Manžeta	001	
44	83	4221672635	28 4221 67263 0	3	Podložka	001	
45	83	4221672643	28 4221 67264 0	2	Přidržený kroužek	001	
46	83	9970909186	28 9970 90918 0	0	Těs. kroužek A26 × 31 TGL07603AL	001	
47	83	4221672707	28 4221 67270 0	4	Prstencová manžeta	001	
48	83	4221672748	28 4221 67274 0	0	Tlačná pružina	001	
49	83	4221672684	28 4221 67268 0	8	Miska pružiny	001	
51	83	4140752958	28 4140 75295 0	0	Přípojná vsuvka	001	
52	83	4221672610	28 4221 67261 0	5	Tlačná tyč	001	
53	83	4221672483	28 4221 67248 0	2	Hlava vidlice	001	
54	83	9950896142	N		Matice BM10 TGL043950GZNC	001	
55	83	4221672475	28 4221 67247 0	3	Měch	001	
56	83	9019874755	28 9019 87475 0	9	Spínač brzdového světla	001	
57	83	9946927598	N		Dutý šroub	001	
58	83	4221672731	28 4221 67273 0	1	Ventil úplný	001	
59	83	4221606103	28 4221 60610 0	6	Palivová hadice	001	
60	83	4221606281	28 4221 60628 0	6	Ložisko	001	
61	83	9960921988	N		Podložka 13 TGL17774STGZN	001	
62	83	9960919831	N		Podložka 8,4 TGL8328GZNC	004	
63	83	9963949947	N		Závlačka 4 × 20 TGL094STGCDC	001	
64	83	4221606111	28 4221 60611 0	5	brzdová trubka	001	
65	83	1831043004	N		Omezovač tlaku LD 100	001	
66	83	4221606240	28 4221 60624 0	0	Svorka	002	
67	83	9930930270	N		Šroub M8 × 40 TGL0558GZNC	001	
68	83	9019875258	28 9019 87525 0	8	Tlačítko RSF/F závit M14 × 1	001	
69	83	N	N		Dutý šroub 9AM12 × 1 TGL29985/09	002	
70	83	4221672467	28 4221 67246 0	4	Prstencové hrdlo	003	
71	83	9970908232	28 9970 90823 0	4	těs. kroužek A12 × 15,5 TGL07603CU	006	
72	83	4140752941	28 4140 75294 0	1	Hlavní válec	001	



TABULKA: 044

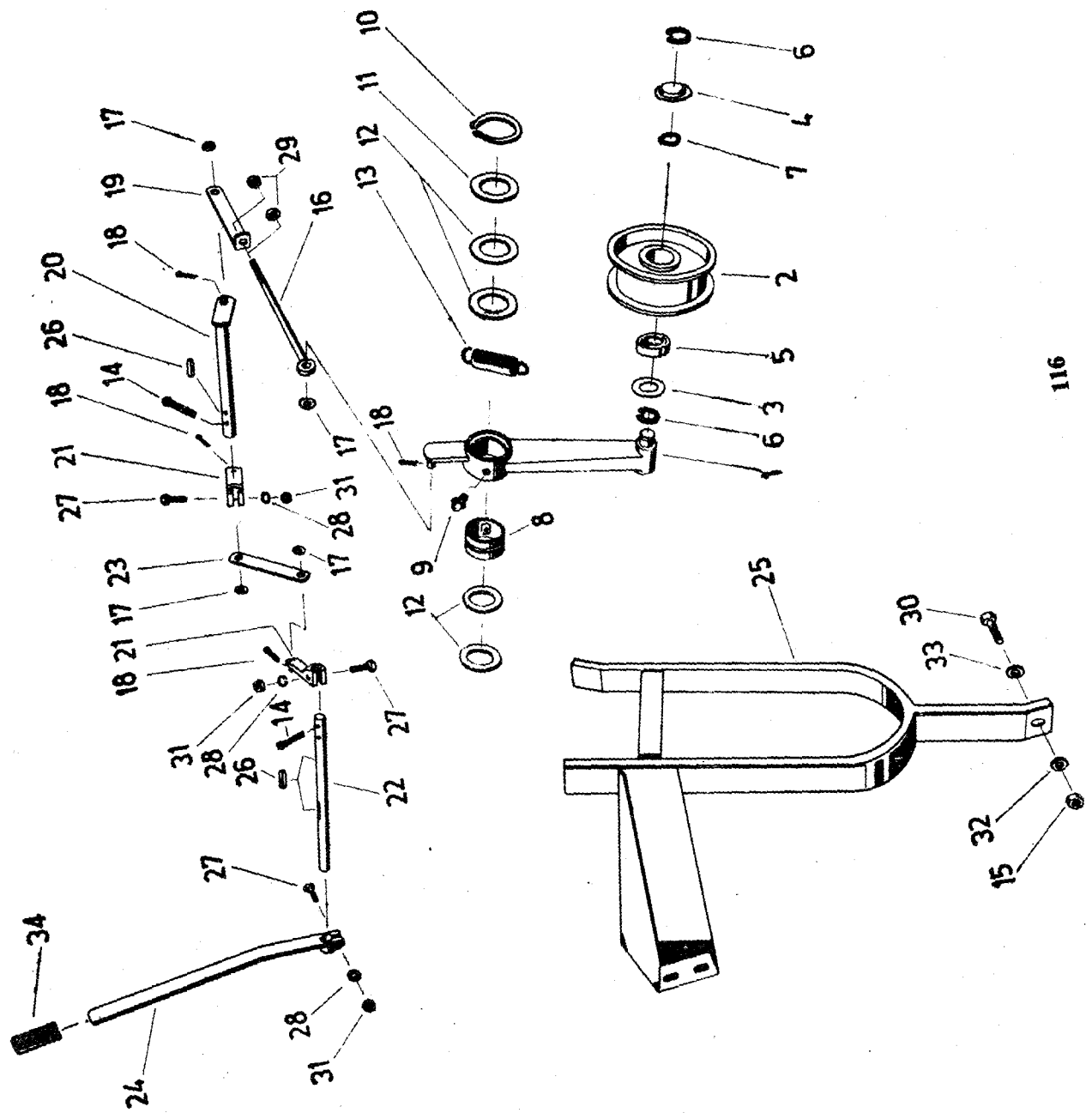
STROJ: 4 3 332

SKLÍZECÍ MLÁTIČKA

E-512

TABULKA: 044

Čís. poz.	Roč.	Katalogové číslo	Obchodní číslo zboží	KZ	Název zboží	Kusy	Provedení
1	83	4210377117	28 4210 37711 0	6	Ozubený segment	001	
2	83	4221605770	28 4221 60577 0	8	Rozpěrné pouzdro	002	
3	83	9949863111	28 9949 86311 0	7	Čep 10H11 × 25 × 20 TGL18010GZNC	001	
4	83	4221605504	28 4221 60550 0	9	Štít ložiska	003	
5	83	4221605842	28 4221 60584 0	9	Tažná vidlice	001	
6	83	4221605875	28 4221 60587 0	6	Přenosný hřídel	001	
7	83	4221605883	28 4221 60588 0	5	Tažná tyč	001	
8	83	4221605914	28 4221 60591 0	0	Hřídel	001	
9	83	4032803057	28 4032 80305 0	5	Příložka	002	
10	83	4221605377	28 4221 60537 0	6	Upínací kus	001	
11	83	4221605947	28 4221 60594 0	7	Vahadlo	001	
12	83	9969883224	28 9969 88322 0	8	Hlava vidlice 10 × 40 TGL071752	001	
13	83	9950896118	N		Maticе m10 TGL09346GZN	001	
14	83	9965956093	28 9965 95609 0	5	Hranolové pero A8 × 7 × 28 TGL9500	001	
15	83	9949863208	28 9949 86320 0	6	Čep 10H11 × 32 × 26 TGL18010GZN	001	
16	83	9963950627	N		Závlačka 6,3 × 40 TGL094STGCDC	003	
17	83	9973880475	28 9973 88047 0	3	Tl. pružina C2 × 14 × 11,5 TGL18395	001	
18	83	9960921633	N		Podložka 8,4 TGL17774 STGZN	002	
19	83	9963949504	N		Závlačka 2,5 × 16 TGL094STGZNC	002	
20	83	9949863072	28 9949 86307 0	3	Čep 10H11 × 30 × 24 TGL18010 GZNC	002	
21	83	9960921787	N		Podložka 10,5 TGL17774STGZNC	004	
22	83	9963949762	N		Závlačka 3,2 × 16 TGL094STGCD	004	
23	83	9930930270	N		Šroub M8 × 40 TGL0558GZNC	002	
24	83	9950895881	N		Maticе M8 TGL09346GZN	011	
25	83	9961910976	N		Pružná podložka B8 TGL7403GZNC	007	
26	83	9930929984	N		Šroub M8 × 20 TGL0558GZNC	004	
27	83	9932930373	N		Šroub M8 × 45 TGL093188GZNC	001	
28	83	4221605955	N		Potah rukojeti	001	
29	83	4131770003	N		Rukojeť	001	
30	83	9971899390	N		Nýt s pl. hl. 6 × 20 TGL0660MST2U	001	
31	83	9960924553	N		Podložka 6,4 TGL17774STGZNC	002	



116

ТАБУЛКА 45

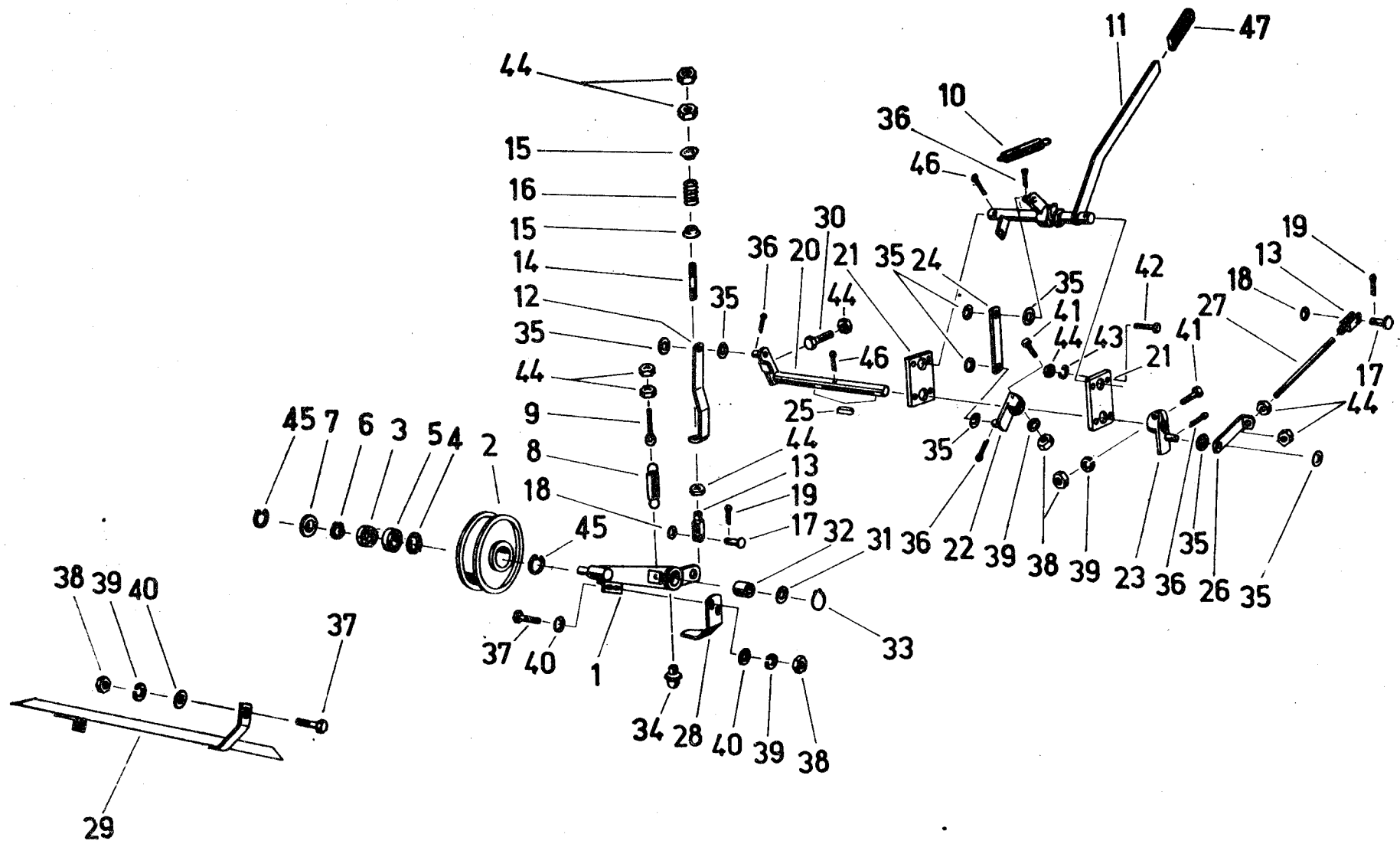
STROJ: 4 3 332

SKLÍZECÍ MLÁTIČKA

E-512

TABULKA: 045

Čís. poz.	Roč.	Katalogové číslo	Obchodní číslo zboží	KZ	Název zboží	Kusy	Provedení
1	83	4221608113	28 4221 60811 0	3	Kyvná páka	001	
2	83	4221608138	28 4221 60813 0	1	Kladka	001	
3	83	4221624162	28 4221 62416 0	8	Těsnící podložka	001	
4	83	9904868948	28 9904 86894 0	7	Víko 52 TGL33-17127	001	
5	83	9902890441	10 7062 05600 0	6	Kuličkové ložisko 6205 RS	001	
6	83	9964917787	N		Pojistný kroužek 52 TGL0472	002	
7	83	9964917192	N		Pojistný kroužek 25 TGL0471	001	
8	83	9926868348	28 9926 86834 0	3	Pouzdro 4F56/68 × 40EB TGL153	001	
9	83	9920925507	N		Kuželová maznička A8 TGL071412	001	
10	83	9964917328	N		Pojistný kroužek 55 TGL0471	001	
11	83	4221608082	28 4221 60808 0	8	Podložka	001	
12	83	4221608074	28 4221 60807 0	9	Podložka	004	
13	83	9974880972	28 9974 88097 0	1	Taž. pružina A3,2 × 36 × 25AA	001	
14	83	9963950627	N		Závlačka 6,3 × 40 TGL094STGZNC	004	
15	83	9950896118	N		Matice M 10 TGL09346GZN	005	
16	83	4221607998	128 4221 60799 0	0	Tažná tyč	001	
17	83	9960922265	N		Podložka 15 TGL832GZNC	007	
18	83	9963949988	N		Závlačka 4 × 25 TGL0894STGCDC	004	
19	83	4221608025	28 4221 60802 0	4	Příložka	001	
20	83	4221607885	28 4221 60788 0	3	Hřidel spojky	001	
21	83	4221607916	28 4221 60791 0	8	Upínací páka	002	
22	83	4221608058	28 4221 60805 0	1	Hřidel	001	
23	83	4221608066	28 4221 60806 0	0	Výstuž	001	
24	83	4221607940	28 4221 60794 0	0	Napínací páka	001	
25	83	4221607965	28 4221 60796 0	3	Držení	001	
26	83	9965956093	28 9965 95609 0	5	Hranolové pero A8 × 7 × 28TGL9500	003	
27	83	9930930623	N		Šroub M8 × 45 TGL0558GZNC	003	
28	83	9961910976	N		Pružná podložka B8 TGL7403GZNC	003	
29	83	9950896503	N		Matice M12 TGL09436GZNC	002	
30	83	9930930986	N		Šroub M10 × 25 TGL0558GZNC	003	
31	83	9950895881	N		Matice M8 TGL09346GZN	003	
32	83	9961911085	N		Pružná podložka B10 TGL7403	003	
33	83	9960962047	N		Podložka 10,5 GL8328GZNC	006	
34	83	4221605955	N		Potah rukojetí	001	



TABULKA 46

TABULKA: 046

STROJ: 4 3 332

SKLÍZEČÍ MLÁTIČKA

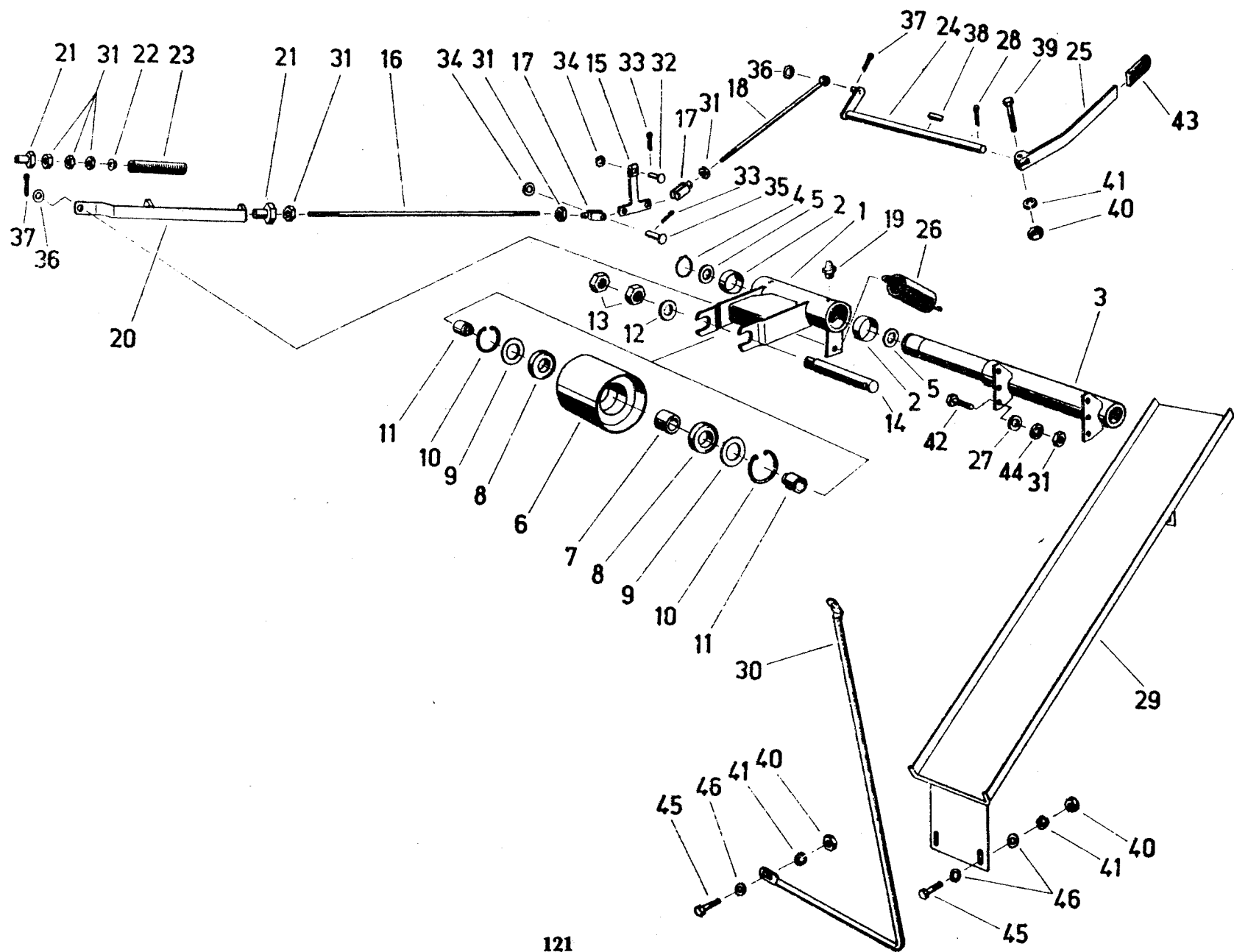
E-512

TABULKA: 046

Čís. poz.	Roč.	Katalogové číslo	Obchodní číslo zboží	KZ	Název zboží	Kusy	Provedení
1	83	4221607764	28 4221 60776 0	7	Kyvná páka	001	
2	83	4221607780	28 4221 60778 0	5	Kladka	001	
3	83	9902890400	10 7062 04000 0	4	Kuličkové ložisko 6204	001	
4	83	4110085640	28 4110 08564 0	8	Těsnicí podložka	001	
5	83	9902890642	10 7062 04600 0	8	Kuličkové ložisko 6204 RS	001	
6	83	9964917168	N		Pojistný kroužek 20 TGL0471	001	
7	83	9904868931	28 9904 86893 0	8	Víko 47 TGL3317127	001	
8	83	9974880972	28 9974 88097 0	1	Taž. pružina A3,2 × 36 × 25AA	001	
9	83	9953929325	N		Šroub s okem CM10 × 80 TGL4737	001	
10	83	9974880956	28 9974 88095 0	3	Taž. pružina A2,8 × 30 × 40AA	001	
11	83	4221607530	28 4221 60753 0	4	Hřídel spojky	001	
12	83	4221607684	28 4221 60768 0	7	Zalomená příloška	001	
13	83	9969883224	28 9969 88322 0	8	Hlava vidlice 10 × 40 TGL071752	002	
14	83	4221607692	28 4221 60769 0	6	Naviják	001	
15	83	4221607338	28 4221 60733 0	8	Miska pružiny	002	
16	83	9973880362	28 9973 88036 0	6	Tl. pružina C6,3 × 32 × 5,5 TGL18395	001	
17	83	9949863072	28 9949 86307 0	3	Čep 10H11 × 30 × 24 TGL18010	002	
18	83	9960921787	N		Podložka 10,5 TGL17774STGZNC	002	
19	83	9963949762	N		Závlačka 3,2 × 16 TGL094STGCDC	002	
20	83	4221607588	28 4221 60758 0	9	Hřídel spojky	001	
21	83	4221607731	28 4221 60773 0	0	Ložisko	002	
22	83	4221607602	28 4221 60760 0	5	Upínací páka	001	
23	83	4221607627	28 4221 60762 0	3	Upínací páka	001	
24	83	4221607748	28 4221 60774 0	9	Výztuž	001	
25	83	9965956093	28 9965 95609 0	5	Hranolové pero A8 × 7 × 28 TGL9500	002	
26	83	4221607723	28 4221 60772 0	1	Zalomená příloška	001	
27	83	4221607715	28 4221 60771 0	2	Naviják	001	
28	83	4221607797	28 4221 60779 0	4	Třmen	001	
29	83	4221607643	28 4221 60764 0	1	Opěra	001	
30	83	9930931712	N		Šroub M10 × 40 TGL0558GZNC	001	
31	83	9965920861	N		Líc. podložka 31 × 1 TGL1040ST	002	
32	83	9926867820	28 9926 86782 0	6	Pouzdro 4F32/40 × 42EW TGL6558	001	
33	83	9964917223	N		Pojistný kroužek 32 TGL0471	001	
34	83	9920925507	N		Kuželová maznička A8 TGL071412	001	
35	83	9960922265	N		Podložka 15 TGL8328GZNC	008	
36	83	9963949988	N		Závlačka 4 × 25 TGL094STGCDC	004	
37	83	9930929984	N		Šroub M8 × 20 TGL0558GZNC	004	

STROJ: 4 3 332**SKLÍZECÍ MLÁTIČKA****E-512****TABULKA: 046**

Čís. poz.	Roč.	Katalogové číslo	Obchodní číslo zboží	KZ	Název zboží	Kusy	Provedení
38	83	9950895881	N		Matice M8 TGL09346GZNC	006	
39	83	9961910976	N		Pružná podložka B8 TGL7403GZNC	006	
40	83	9960919831	N		Podložka 8,4 TGL8328GZNC	006	
41	83	9930930623	N		Šroub M8 × 45 TGL0558GZNC	002	
42	83	9930930986	N		Šroub M10 × 25 TGL0558GZNC	006	
43	83	9961911085	N		Pružná podložka B10TGL7403GZNC	006	
44	83	9950896118	N		Matice M10 TGL0934GZNC	009	
45	83	9964917770	N		Pojistný kroužek 47 TGL0472	002	
46	83	9963950627	N		Závlačka 6,3 × 40 TGL094STGDCD	005	
47	83	4221605955	N		Potah rukojeti	001	



TABULKA: 047

STROJ: 4 3 332

SKLÍZECÍ MLÁTIČKA

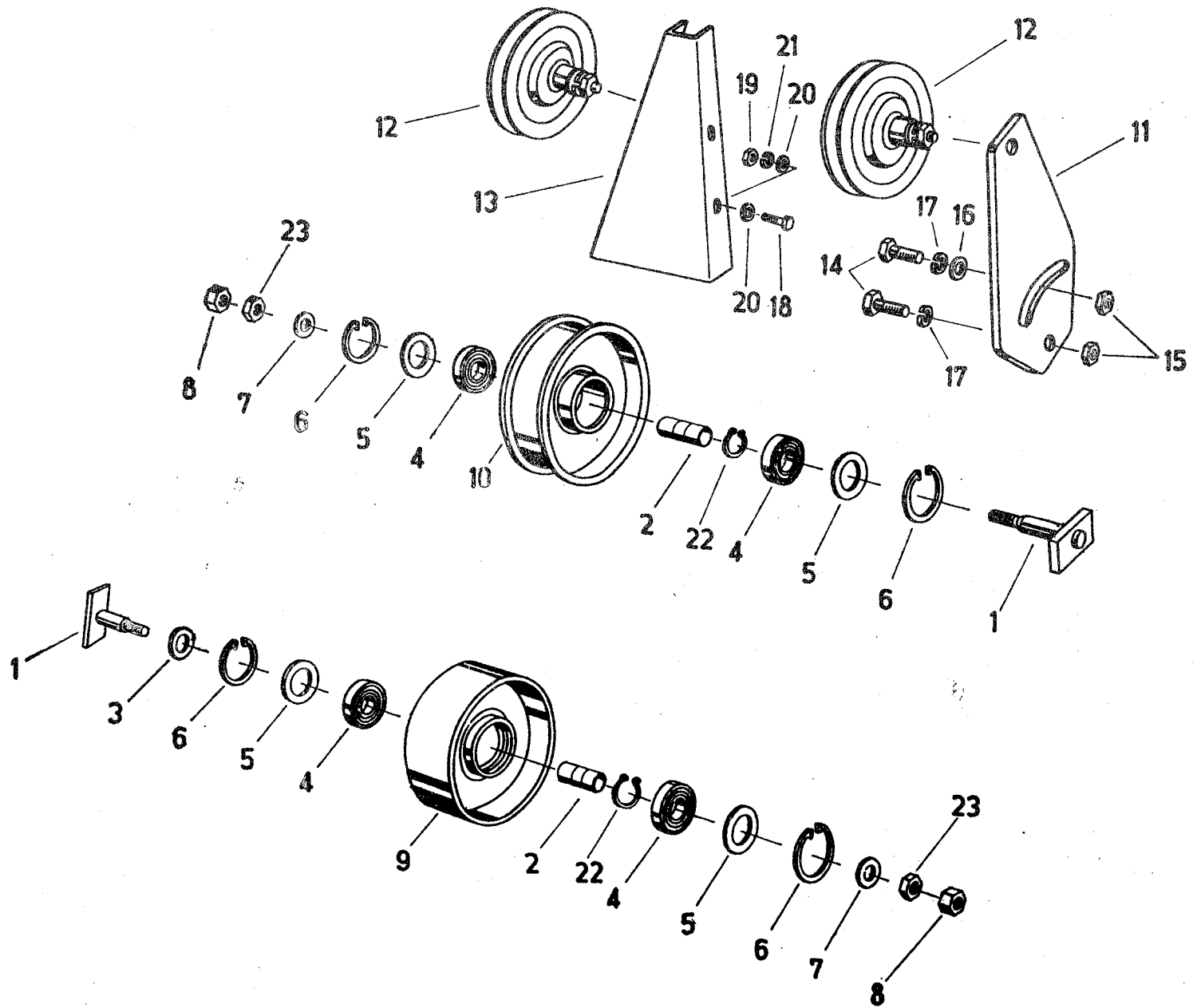
E-512

TABULKA: 047

Čís. poz.	Roč.	Katalogové číslo	Obchodní číslo zboží	KZ	Název zboží	Kusy	Proveden.
1	83	4221607346	28 4221 60734 0	7	Kyvná páka	001	
2	83	9926867837	28 9926 86783 0	5	Pouzdro 4F56/68 × 40EW HGW2088	002	
3	83	4221607081	28 4221 60708 0	9	Osa	001	
4	83	9964917328	N		Pojistný kroužek 55 TGL0471	001	
5	83	9965923132	N		Podložka 58 × 80 × 2,5 FON14510ST	002	
6	83	4221607186	28 4221 60718 0	7	Kladka	001	
7	83	4221606931	N28 4221 60693 0	7	Pouzdro	001	
8	83	9902890505	10 7062 07600 0	2	Kuličkové ložisko 6207 RS	002	
9	83	4221606956	28 4221 60695 0	5	Podložka	002	
10	83	9964917826	N		Pojistný kroužek 72 TGL0472	002	
11	83	4221606948	28 4221 60694 0	6	Pouzdro	001	
12	83	9960922876	N		Podložka 27 TGL8328GZNC	002	
13	83	9950898281	N		Matice M25 × 2 TGL09365 GZNC	002	
14	83	4221607387	28 4221 60738 0	3	Čep napínací kladky	001	
15	83	4221607040	28 4221 60704 0	3	Uhlová páka	001	
16	83	4221607305	28 4221 60730 0	1	Naviják	001	
17	83	9969883240	28 9969 88324 0	6	Hlava vidlice A12 × 48 TGL071752	002	
18	83	4221607024	28 4221 60702 0	5	Tažná tyč	001	
19	83	N			Kuželová maznička A8 TGL071412	002	
20	83	4221607282	28 4221 60728 0	5	Tažný hák	001	
21	83	4221607313	28 4221 60731 0	0	Matice	002	
22	83	4221607338	28 4221 60733 0	8	Miska pružiny	001	
23	83	9973880401	28 0073 88040 0	0	Tl. pružina C7 × 34 × 17,5TGL18395	001	
24	83	4221606980	28 4221 60698 0	2	Hřidel spojky	001	
25	83	4221607008	28 4221 60700 0	7	Ruční páka	001	
26	83	9974881065	28 9974 88106 0	9	Taž. pružina B5,5 × 60 × 25AA	001	
27	83	9960922031	N		Podložka 13 TGL8328GZNC	004	
28	83	9963950627	N		Závlačka 6,3 × 40 TGL094STGCDC	002	
29	83	4221607120	28 4221 60712 0	3	Vedení řemene	001	
30	83	4221607145	28 4221 60714 0	1	Držák řemene	001	
31	83	9950896407	N		Matice M12 TGL09346GZN	010	
32	83	9949863513	28 9949 86351 0	9	Čep 12H11 × 45 × 36 TGL18010	001	
33	83	9963949947	N		Závlačka 4 × 20 TGL094STGCDC	003	
34	83	9961921681	N		Podložka 13 TGL17774GZNC	003	
35	83	9949833474	28 9949 83347 0	1	Čep 12H11 × 36 × 30 TGL18010	002	
36	83	9960922265	N		Podložka 15 TGL8328GZNC	004	
37	83	9963949988	N		Závlačka 4 × 25 TGL094STGCD	002	

STROJ: 4 3 332**SKLÍZEČÍ MLÁTIČKA****E-512****TABULKA: 047**

Čís. poz.	Roč.	Katalogové číslo	Obchodní číslo zboží	KZ	Název zboží	Kusy	Provedení
38	83	9965956093	28 9965 95609 0	5	Hranolové pero A8 × 7 × 28 TGL9500	001	
39	83	9932930373	N		Šroub M8 × 45 TGL093188GZNC	001	
40	83	9950895881	N		Maticice M8 TGL09346GZN	007	
41	83	9961910976	N		Pružná podložka B8 TGL7403GZNC	007	
42	83	9933931910	N		Šroub M12 × 30 TGL093388GZNC	004	
43	83	4221605955	N		Potah rukojetí	001	
44	83	9961911204	N		Pružná podložka B12 TGL7403GZN	004	
45	83	9930929984	N		Šroub M8 × 20 TGL0588GZNC	006	
46	83	9960919831	N		Podložka 8,4 TGL8328GZNC	010	



TABULKA 48

TABULKA: 048

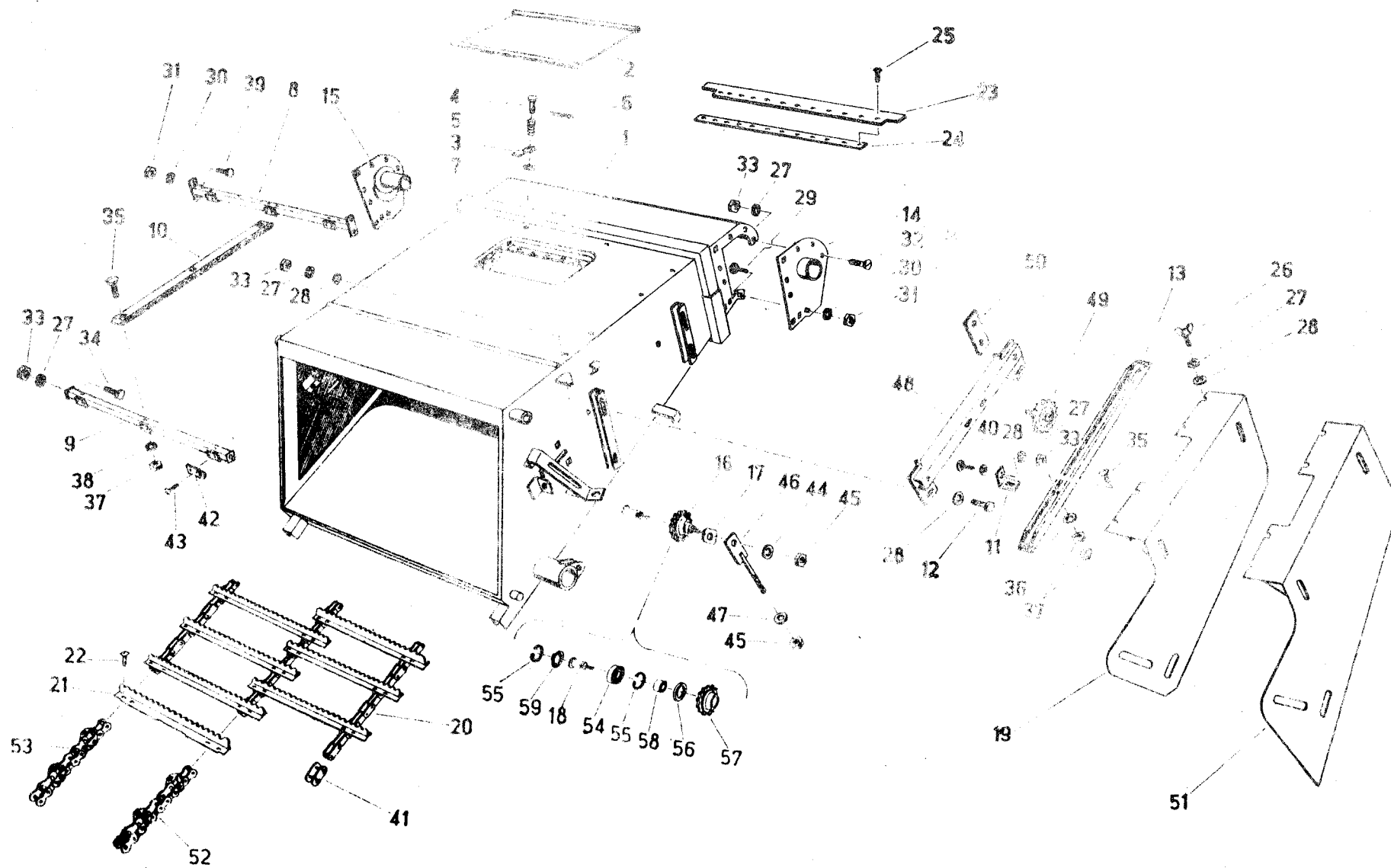
STROJ: 4 3 332

SKLÍZECÍ MLÁTIČKA

E-512

TABULKA: 048

Čís. poz.	Roč.	Katalogové číslo	Obchodní číslo zboží	KZ	Název zboží	Kusy	Provedení
1	83	4221612866	28 4221 61286 0	8	Čep	002	
2	83	4221613215	28 4221 61321 0	4	Pouzdro	002	
3	83	9965923413	N		Podložka 22 × 45 × 5 FON14510ST	001	
4	83	9902890474	10 7062 06600 0	4	Kuličkové ložisko 6206-RS	004	
5	83	4221613063	28 4221 61306 0	3	Těsnící podložka	004	
6	83	9964917818	N		Pojistný kroužek 62 TGL0472	004	
7	83	9960962055	N		Podložka 17 TGL8328GZNC	002	
8	83	9950896841	N		Maticе M16 TGL09346GZN	002	
9	83	4221613135	28 4221 61313 0	4	Napínací kladka	001	
10	83	4221613047	28 4221 61304 0	5	Napínací kladka	001	
11	83	4221613088	28 4221 61308 0	1	Kyvná páka	001	
12	83	9919885700	28 9919 88570 0	3	Napínač klín. řemene A17 × 23	002	
13	83	4221613168	28 4221 61316 0	1	Konzola	001	
14	83	9930959811	N		Šroub M12 × 25 TGL0558GZNC	002	
15	83	9950896407	N		Maticе M12 TGL09346GZN	002	
16	83	9960922031	N		Podložka 13 TGL8328GZNC	001	
17	83	9961911204	N		Pružná podložka B12 TGL7403	002	
18	83	9930930986	N		Šroub M10 × 25 TGL0558GZNC	002	
19	83	9950896118	N		Maticе M10 TGL09346GZN	002	
20	83	9960962047	N		Podložka 10,5 TGL8328GZN	004	
21	83	9961911085	N		Pružná podložka B10 TGL7403	004	
22	83	9964917215	N		Pojistný kroužek 30 TGL0471	004	
23	83	9950897110	N		Maticе AM16 TGL04395GZNC	002	



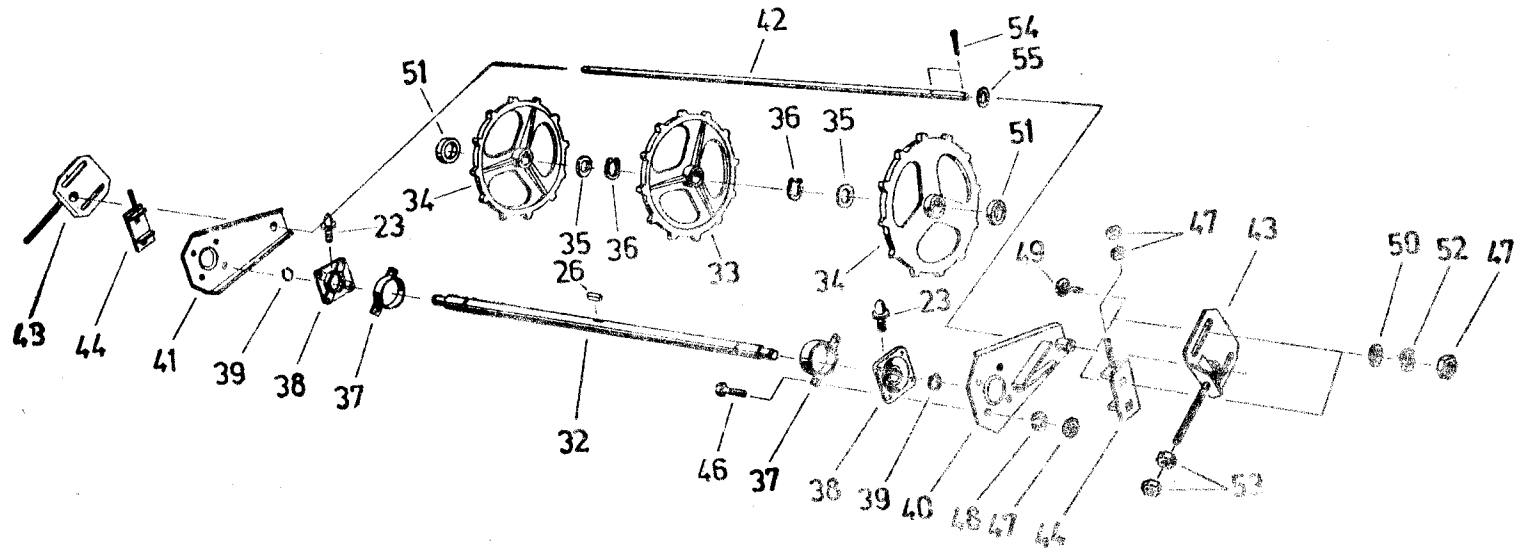
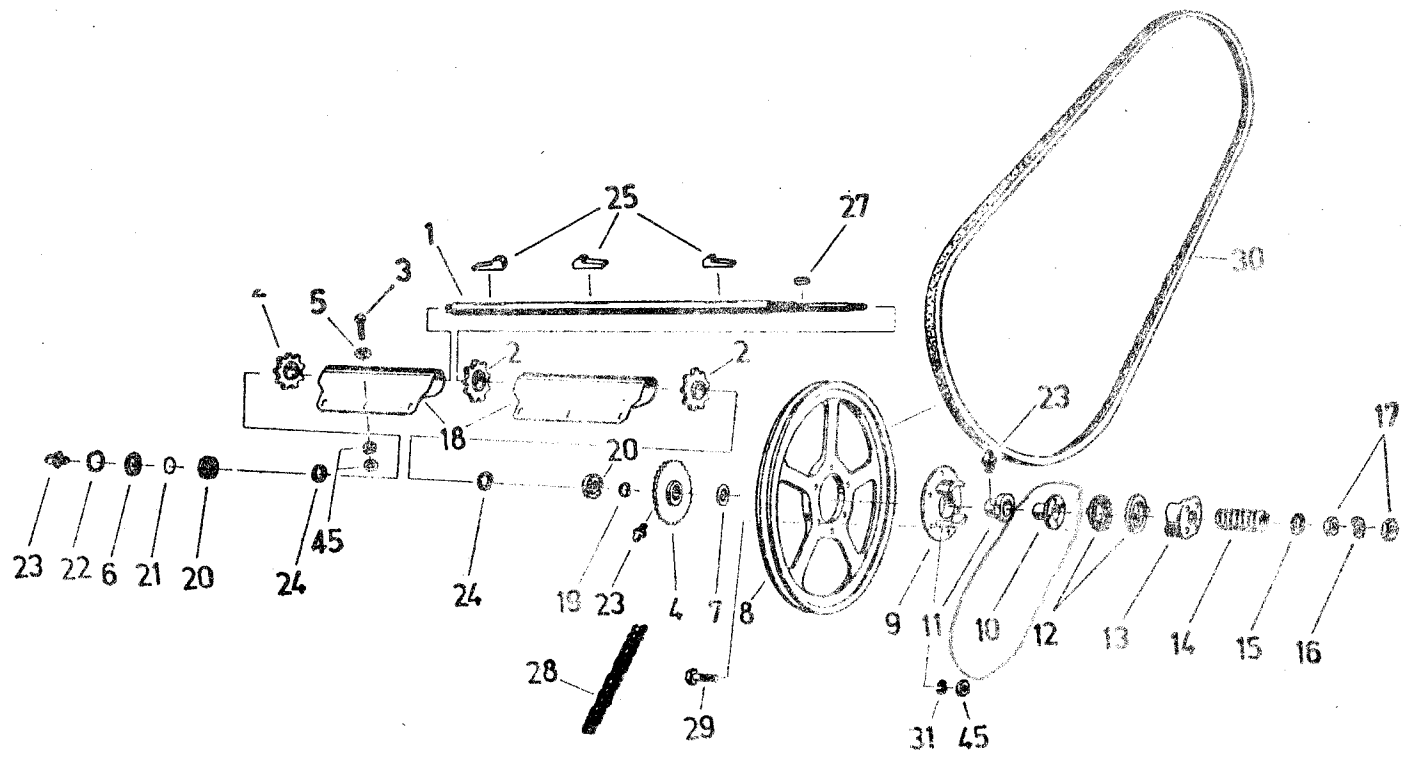
STROJ: 4 3 332

SKLÍZEČÍ MLÁTIČKA

E-512

TABULKA: 049

Čís. poz.	Roč.	Katalogové číslo	Obchodní číslo zboží	KZ	Název zboží	Kusy	Provedení
38	83	9961910847	N		Pružná podložka B6 TGL7403GZNC	009	
39	83	9933931027	N		Šroub M10 × 25 TGL093388GZNC	004	
40	83	9945926268	N		Šroub M8 × 25 TGL0603GZNC	002	
41	83	9917905757	28 9917 90575 0	7	Nasouvací článek 1E41,3 × 21,4	003	
42	83	4221600235	28 4221 60023 0	7	Čepička	009	
43	83	9971899655	N		Nýt pl. hl. 8 × 15 TGL0660ST34U2	018	
44	83	9961911204	N		Pružná podložka B12TGL7403GZNC	001	
45	83	9950896407	N		Maticice M12 TGL09346GZN	003	
46	83	4226668755	28 4226 66875 0	5	Napínací tyč	001	
47	83	9960922031	N		Podložka 13 TGL8328GZNC	002	
48	83	4226668747	28 4226 66874 0	6	Nosník	001	
49	83	9919885895	28 9919 88589 0	2	Napínač řetězu 19,05 × 55 MWN	002	
50	83	4226668876	28 4226 66887 0	1	Příložka	000	
52	83	4221601775	28 4221 60177 0	2	Válečkový řetěz	001	
53	83	4221601767	28 4221 60176 0	3	Válečkový řetěz	002	
54	83	9902890400	10 7062 04000 0	4	Kuličkové ložisko 6204	001	
55	83	9964917770	N		Pojistný kroužek 47 TGL0472	002	
56	83	9905872486	10 5003 00470 0	0	Gufero D30 × 47 × 10	001	
57	83	9919885887	28 9919 88588 0	3	Řetězové kolo 19,05 MWN17767	001	
58	83	9926866803	28 9926 86680 0	9	Pouzdro 16 MWN17767	001	
59	83	9904868931	28 9904 86893 0	8	Víko 47 TGL33-17127	001	



TABULKA 50

TABULKA: 050

STROJ: 4 3 332

SKLÍZEČÍ MLÁTIČKA

E-512

TABULKA: 050

Čís. poz.	Roč.	Katalogové číslo	Obchodní číslo zboží	KZ	Název zboží	Kusy	Provedení
1	83	4221601750	28 4221 60175 0	4	Hřidel	001	
2	83	4221600887	28 4221 60088 0	0	Řetězové kolo	003	
3	83	9933929973	N		Šroub M8 × 25 TGL093388GZNC	006	
4	83	4221601742	28 4221 60174 0	5	Řetězové kolo	001	
5	83	9961921673	N		Podložka A9,5 TGL0440GZN	006	
6	83	422160192	28 4221 60109 0	4	Víko ložiska	001	
7	83	4210382202	28 4210 38220 0	8	Tlačný kroužek	001	
8	83	4221601148	28 4221 60114 0	4	Klínová řemenice	001	
9	83	4221600805	28 4221 60080 0	8	Část spojky	001	
10	83	4210386753	28 4210 38675 0	9	Náboj spojky	001	
11	83	4210399106	28 4210 39910 0	1	Rozpěrné pouzdro	001	
12	83	4221626203	28 4221 62620 0	0	Ozubená spojka	002	
13	83	4221600854	28 4221 60085 0	3	Polovina spojk	001	
14	83	4221601277	28 4221 60127 0	2	Pružina spojky	001	
15	83	9965922863	N		Podložka 26 × 55 × 5 FON14510ST	001	
16	83	4221601308	28 4221 60130 0	7	Pojistná podložka	001	
17	83	9950897143	N		Matice M24 × 1,5 TGL09345GZN	002	
18	83	4221600403	28 4221 60040 0	6	Obložení	002	
19	83	4221600934	28 4221 60093 0	3	Rozpěrné pouzdro	002	
20	83	9902889456	10 7101 20700 0	9	Kuličkové ložisko 1207	002	
21	83	9964917192	N		Pojistný kroužek 25 TGL0471	001	
22	83	9964917826	N		Pojistný kroužek 72 TGL0472	001	
23	83	9920925507	N		Kuželová maznička A8 TGL071412	005	
24	83	9910912047	28 9910 91204 0	7	Plstěný kroužek 40 TGL05419M5	002	
25	83	9965955381	28 9965 95538 0	1	Klín s nosem 12 × 8 × 56 TGL9502	003	
26	83	N	N		Hranolové pero A8H9 × 7 × 45	001	
27	83	9965956112	28 9965 95621 0	9	Hranolové pero A8 × 7 × 56 TGL9500	001	
28	83	9917906782	28 9917 90678 0	3	Val. řetěz 1 × 19,05V × 11,68 × 190	001	
29	83	9933930188	N		Šroub M8 × 30 TGL093388GZNC	006	
30	83	9911860435	10 6012 53350 0	4	Klínový řemen 25 × 3350	001	
31	83	9961910976	N		Pružná podložka B8 TGL7403GZNC	006	
32	83	4221601525	28 4221 60152 0	1	Hřidel	001	
33	83	4221601566	28 4221 60156 0	7	Řetězové kolo	001	
34	83	4221601574	28 4221 60157 0	6	Řetězové kolo	002	
35	83	9960922931	N		Podložka 31 TGL8328GZNC	002	
36	83	9964917215	N		Pojistný kroužek 30 TGL0471	002	
37	83	4221601486	28 4221 60148 0	7	Obložení	002	

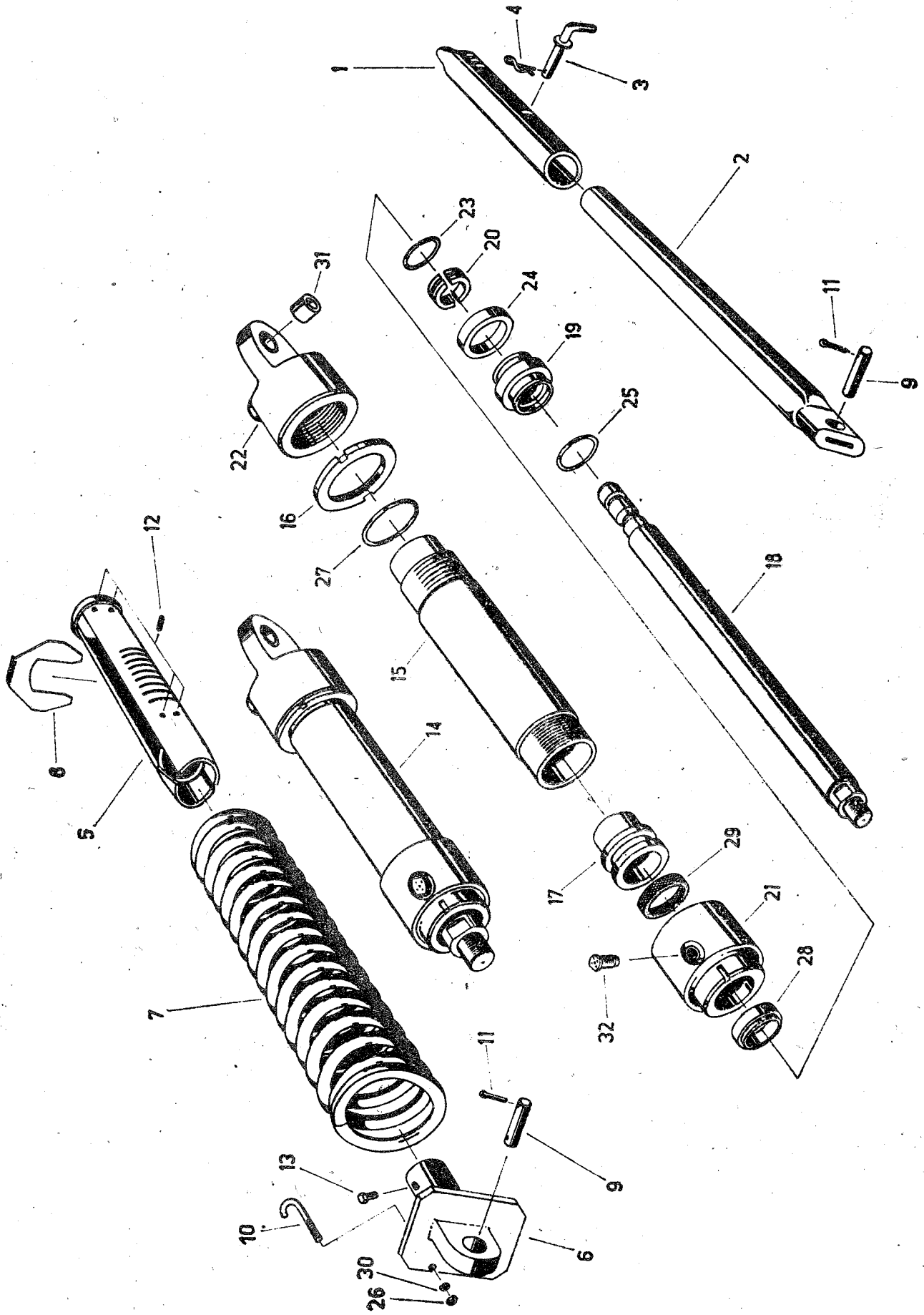
STROJ: 4 3 332

SKLÍZECÍ MLÁTIČKA

E-512

TABULKA: 050

Čís. poz.	Roč.	Katalogové číslo	Obchodní číslo zboží	KZ	Název zboží	Kusy	Provedení
38	83	9902888270	10 7910 12050 0	8	Přírubové ložisko FGE205	002	
39	83	9964917192	N		Pojistný kroužek 35 TGL0471	002	
40	83	4221601461	28 4221 60146 0	9	Kyvná páka	001	
41	83	4221601437	28 4221 60143 0	2	Kyvná páka	001	
42	83	4221600276	28 4221 60027 0	3	Tyč	001	
43	83	4221600210	28 4221 60021 0	9	Držení	002	
44	83	4221600243	28 4221 60024 0	6	Zarážka	002	
45	83	9950895881	N		Matice M8 TGL09346GZN	018	
46	83	9933931123	N		Šroub M10 × 30 TGL093388GZNC	008	
47	83	9950896118	N		Matice M10 TGL09346GZNC	020	
48	83	9961911085	N		Pružná podložka B10TGL7403GZNC	008	
49	83	9945926307	N		Šroub M10 × 25 TGL0603GZN	008	
50	83	9960962047	N		Podložka 10,5 TGL8328GZNC	008	
51	83	4221601500	28 4221 60150 0	3	Kroužek	002	
52	83	9961911085	N		Pružná podložka B10 TGL7403GZN	008	
53	83	9950896407	N		MFatice M12 TGL0346GZNC	004	
54	83	9963950258	N		Závlačka 5 × 30 TGL094STGCDC	004	
55	83	9960962022	N		Podložka 19 TGL8328GZNC	004	



TABULKA: 051

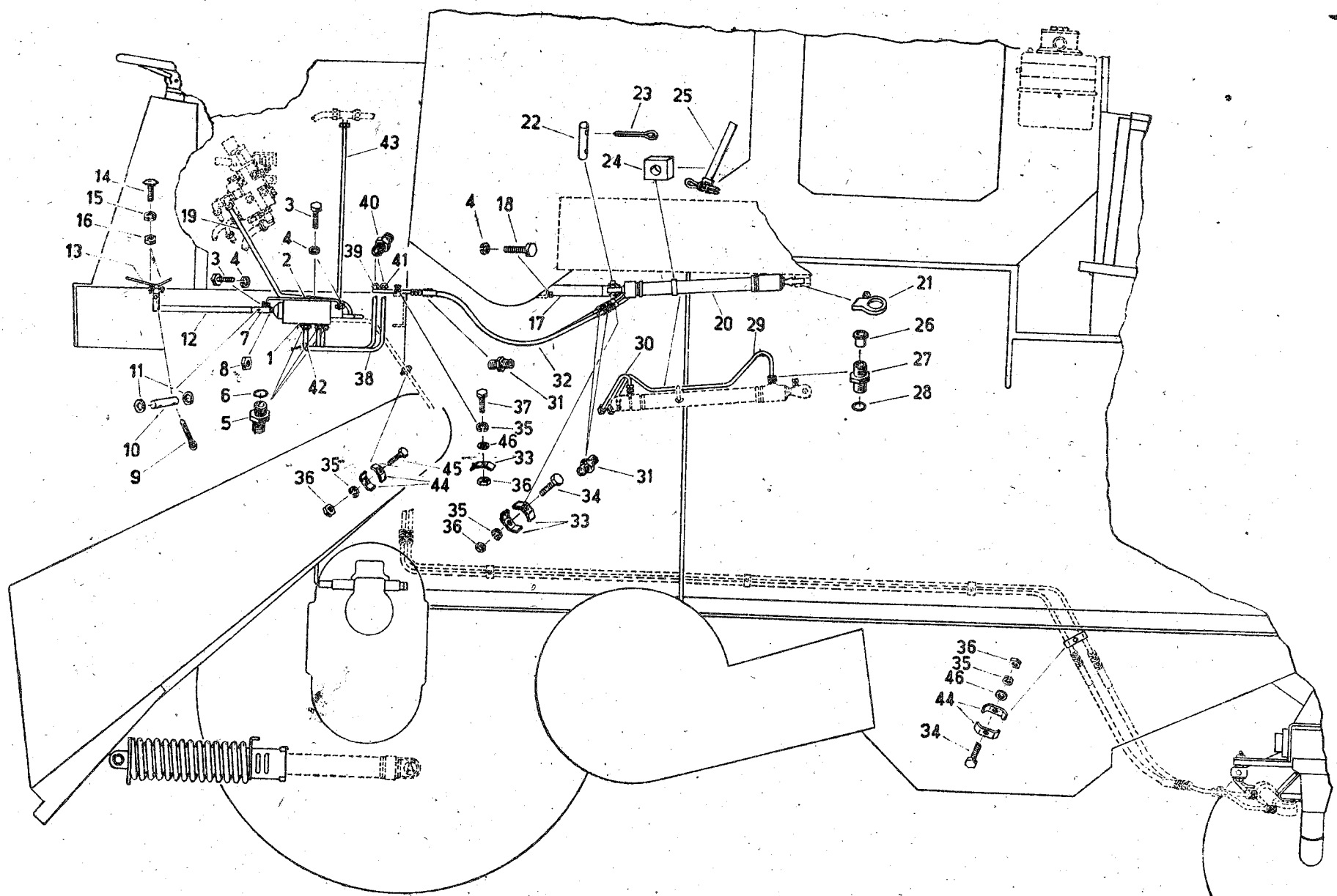
STROJ: 4 3 332

SKLÍZEČÍ MLÁTIČKA

E-512

TABULKA: 051

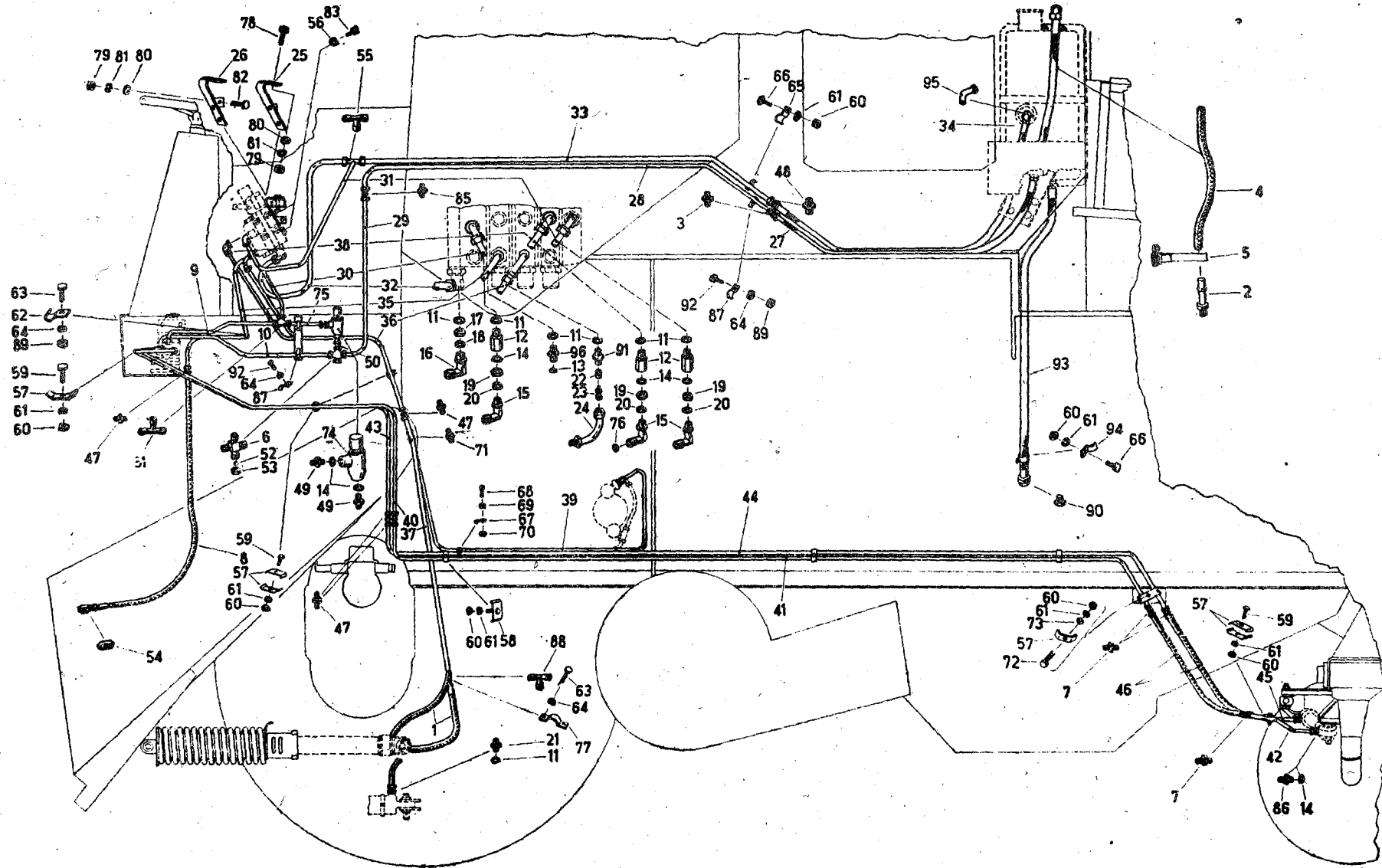
Čís. poz.	Roč.	Katalogové číslo	Obchodní číslo zboží	KZ	Název zboží	Kusy	Provedení
1	83	4221601910	28 4221 60191 0	4	Nosná trubka	001	
2	83	4221601822	28 4221 60182 0	5	Nosná tyč	001	
3	83	9928929634	N		Závlačka 30 × 70 TGL3315310	001	
4	83	9928939208	N		Pružná závlačka 15 TGL3316121	001	
5	83	4221616484	28 4221 61648 0	0	Pojistka	002	
6	83	4221616523	28 4221 61652 0	4	Prodloužení pístní tyče	002	
7	83	4221616410	28 4221 61641 0	7	Tlačné pero	002	
8	83	4221616427	28 4221 61642 0	6	Držák	002	
9	83	9949865105	28 9949 86510 0	6	Čep 25 × 80 × 58 TGL01433	006	
10	83	4221616531	28 4221 61653 0	3	Hák	002	
11	83	9963950627	N		Závlačka 6,3 × 40 TGL094STGCD	012	
12	83	9947940297	N		Závitový kolík M8 × 18 TGL0551GZNC	008	
13	83	4036800862	N		Šestihranný šroub	002	
14	83	9912862210	28 9912 86221 0	3	Válec B1-50/32 × 630 TGL10906	002	
15	83	4021166177	28 4021 16617 0	6	Válcová roura	002	
16	83	6323-5103/04	N		Drážková matice	002	
17	83	4021165883	28 4021 165888 0	2	Vodící pouzdro	002	
18	83	4021166185	28 4021 16618 0	5	Pístní tyč	002	
19	83	4250132180	28 4250 0	0	Píst	002	
20	83	4021166128	28 4021 16612 0	1	Polovina kroužku	002	
21	83	6323-6511/03	N		Těsnící skříň	002	
22	83	4021166193	28 4021 16619 0	4	Víko ložiska	002	
23	83	9962918136	28 9962 91813 0	1	Pojistný kroužek 32 × 2,5 TGL9045	002	
24	83	N			Kroužek 50 TGL34483-WS1957	002	
25	83	9907913445	28 9907 91344 0	5	O-kroužek 18 × 2 TGL6365-WS1019	002	
26	83	9950895881	N		Matice M8 TGL09346GZN	002	
27	83	9907915584	28 9907 91558 0	7	O-kroužek 56 × 3 TGL6365WS1019	002	
28	83	N	N		Stírací kroužek 32 TGL17570	002	
29	83	9910911866	28 9910 91186 0	0	Pístěný kroužek 10 × 45 × 30	002	
30	83	9961910976	N		Pružná podložka B8 TGL7403GZNC	002	
31	83	N	N		Pouzdro A25/32R6 × 25 TGL6558	002	
32	83	4948-002/01	N		Zpětný ventil 22	001	



Čís. poz.	Roč.	Katalogové číslo	Obchodní číslo zboží	KZ	Název zboží	Kusy	Provedení
1	83	4228671900	28 4228 67190 0	7	Baterie zpětného ventilu	001	=
2	83	4228671878	28 4228 67187 0	2	Přidržený těmen	002	=
3	83	9933957831	N		Šroub M10 × 16 TGL093348GZNC	008	=
4	83	9961911085	N		Pružná podložka B10 TGL7403GZN	011	=
5	83	9969945230	28 9969 94523 0	2	Hrdlo 18 × 12-16 TGL31739GZNC	004	=
6	83	9970909008	28 9970 90900 0	0	Těs. kroužek A22 × 27 TGL07603CU	004	=
7	83	9969883216	28 9969 88321 0	9	Hlava vidlice 8 × 16 TGL071752GZN	001	=
8	83	9950897192	N		MFatice BM8 TGL043950	001	=
9	83	9963949360	N		Závlačka 2 × 16 TGL094STGCD	004	=
10	83	9949862842	28 9949 86284 0	1	Čep 8H11 × 25 × 20 TGL18010	002	=
11	83	9960921633	N		Podložka 8,4 TGL17774STGZNC	004	=
12	83	4228671765	28 4228 67176 0	5	Tažná tyč	001	=
13	83	4228671757	28 4228 67175 0	6	Nožní páka	001	=
14	83	9945926163	N		Šroub M8 × 20 TGL060346GZN	002	=
15	83	9961910976	N		Pružná podložka B8 TGL7403GZNC	002	
16	83	9950895881	N		Matic e M8 TGL09346GZNC	002	
17	83	4228671740	28 4228 67174 0	7	Rameno	001	
18	83	9933930942	N		Šroub M10 × 20 TGL093388GZNC	003	
19	83	4228671708	28 4228 67170 0	1	Tlakové vedení	001	
20	83	4240037673	28 4240 03767 0	8	Válec B1-32/20 × 400	001	
21	83	4240037681	28 4240 03768 0	7	Hlava pístní tyče A32	001	
22	83	9949863972	28 9949 86397 0	5	Čep 16 × 50 × 38 TGL01433	001	
23	83	9963949988	N		Závlačka 4 × 25 TGL094STGCDC	002	
24	83	4240030232	28 4240 03023 0	7	Gumové pero	001	
25	83	9910951920	28 9910 95192 0	4	Had. spona A9 × 370 TGL11046GZNC	001	
26	83	4240030876	28 4240 03087 0	1	Škrťící clonka	002	
27	83	9969945817	28 9969 94581 0	2	Hrdlo 12 × 8-16 TGL31739GZNC	002	
28	83	9970908554	28 9970 90855 0	6	Těs. kroužek A14 × 22 TGLO7603	002	
29	83	4228671886	28 4228 67188 0	1	Potrubi	001	
30	83	4228671894	28 4228 67189 0	0	Potrubi	001	
31	83	9969946801	28 9969 94680 0	2	Spoj. hrdlo L8-02 TGL03902	004	
32	83	9908951796	28 9908 95179 0	6	Hadice AA6 × 800 HFPS18110	002	
33	83	4241021497	28 4241 02149 0	6	Upínací plech	003	
34	83	9933958937	N		Šroub M6 × 30 TGLO93348GZNC	002	
35	83	9961910847	N		Pružná podložka B6 TGL7403GZNC	007	
36	83	9950895711	N		FMatice M6 TGL09346GZN	007	
37	83	9933959745	N		Šroub M6 × 25 TGL093348GZNC	001	

STROJ: 4 3 332**SKLÍZEČÍ MLÁTIČKA****E-512****TABULKA: 052**

Čís. poz.	Roč.	Katalogové číslo	Obchodní číslo zboží	KZ	Název zboží	Kusy	Provedení
38	83	4228671724	28 4228 67171 0	9	Potrubí	001	
39	83	4228671861	28 4228 67186 0	3	Trubka	001	
40	83	9969946762	28 9969 94676 0	8	Hrdlo L12/8-02/2 TGL03902GZN	002	
41	83	4228671853	28 4228 67185 0	4	Trubka	001	
42	83	4228671732	28 4228 67173 0	8	Potrubí	001	
43	83	4228671716	28 4228 67171 0	0	Zpětné potrubí	001	
44	83	4221616556	28 4221 61655 0	1	Upínací plech	010	
45	83	9933959745	N		Šroub M6 x 25 TGL093348	004	
46	83	9960919856	N		Podložka 6,4 TGL8328GZNC	002	



TABULKA 52A

STROJ: 4 3 332

SKLÍZECÍ MLÁTIČKA

E-512

TABULKA: 052A

Čís. poz.	Roč.	Katalogové číslo	Obchodní číslo zboží	KZ	Název zboží	Kusy	Provedení
1	83	9908951353	28 9908 95135 0	8	Hadice AA10 × 710 HFPS18110	002	
2	83	4221616451	28 4221 61645 0	3	Sací přípojka 32	002	
3	83	9969947224	28 9969 94722 0	1	Spoj. hrdlo L18/15-02/1TGL03902	001	
4	83	4221616468	28 4221 61646 0	2	Hadice 32	001	
5	83	9908951097	N		Hadicová svorka 50 TGL29732	004	
6	83	4221670891	28 4221 67089 0	5	Spojovací hrdlo	001	
7	83	4221609661	28 4221 60966 0	7	Spojovací hrdlo	004	
8	83	N	N		Hadice AA10 × 1250 HFPS18110	001	
9	83	4221670883	28 4221 67088 0	6	Tlakové vedení	001	
10	83	4221670875	28 4221 67087 0	7	Tlakové vedení	001	
11	83	9970909008	28 9970 90900 0	0	Těs. kroužek A22 × 27 TGL07603CU	010	
12	83	4221616291	28 4221 61629 0	3	Mezikus	003	
13	83	4221614835	28 4221 61483 0	9	Škrťací clonka	001	
14	83	9970908513	28 9970 90851 0	0	Těs. kroužek A16 × 20 TGL07603CU	007	
15	83	9969945480	28 9969 94548 0	3	Hrdlo L12M-04/4 TGLO-3904	003	
16	83	N			Hrdlo L18M-04/4 TGLO-3904	001	
17	83	9961912543	28 9961 91254 0	0	Protikroužek L18/S16M TGL20632	001	
18	83	9970909024	28 9970 90902 0	8	Těs. kroužek 22 × 27 TGL20633	001	
19	83	9961912551	28 9961 91255 0	9	Protikroužek L12/S10M TGL20632	003	
20	83	9970908601	28 9970 90860 0	9	Těs. kroužek 16 × 21 TGL20633	003	
21	83	9969945392	28 9969 94539 0	4	Hrdlo 18 × 12 × 160 TGL2513412	003	
22	83	4221615032	28 4221 61503 0	4	Pouzdro	001	
23	83	4221615040	28 4221 61504 0	3	Čep	001	
24	83	4221614642	28 4221 61464 0	2	Tvarovka	001	
25	83	4221616201	28 4221 61620 0	2	Třmen	001	
26	83	4221616226	28 4221 61622 0	0	Třmen	001	
27	83	9908952321	28 9908 95232 0	0	Hadice 10 16 × 1250 TGL27894	001	
28	83	4221616492	28 4221 61649 0	9	Tlakové vedení	001	
29	83	4221669295	28 4221 66929 0	0	Tlakové vedení	001	
30	83	4221614433	28 4221 61443 0	7	Tlakové vedení	001	
31	83	4221614763	28 4221 61473 0	8	Spojovací vedení	001	
32	83	4221614683	28 4221 61468 0	8	Zpětné potrubí	001	
33	83	4221614386	28 4221 61438 0	4	Zpětné potrubí	001	
34	83	9908952313	28 9908 95231 0	1	Hadice 10-16 × 1600 TGL27894	001	
35	83	4221614482	28 4221 61448 0	2	Vedení navíječky	001	
36	83	4221614538	28 4221 61453 0	5	Vedení řezného ústrojí	001	
37	83	4221614546	28 4221 61454 0	4	Vedení řezného ústrojí	001	

STROJ: 4 3 332

SKLÍZEČÍ MLÁTIČKA

E-512

TABULKA: 052A

Čís. poz.	Roč.	Katalogové číslo	Obchodní číslo zboží	KZ	Název zboží	Kusy	Provedení
38	83	4221614601	28 4221 61460 0	6	Vedení variátoru	001	
39	83	4221644626	28 4221 64462 0	8	Vedení variátoru	001	
40	83	4221615924	28 4221 61592 0	7	Vedení řízení, levé	001	
41	83	4221615932	28 4221 61593 0	6	Vedení řízení, levé	001	
42	83	4221609516	28 4221 60951 0	4	Vedení řízení	001	
43	83	4221615965	28 4221 61596 0	3	Vedení řízení, pravé	001	
44	83	4221615973	28 4221 61597 0	2	Vedení řízení, pravé	001	
45	83	4221609508	28 4221 60950 0	5	Tvarovka	001	
46	83	9908951554	28 9908 95155 0	4	Hadice AA6 × 710 HFPS18109	002	
47	83	9969946746	28 9969 94674 0	0	Spoj. hrdlo L1202 TGL03902	004	
48	83	9969947160	28 9969 94716 0	9	Spoj. hrdlo L18-02 TGL03902	001	
49	83	N	N		Hrdlo 12 × 15 TGL31739ST	002	
50	83	4221670867	28 4221 67086 0	8	Tlakové vedení	001	
51	83	N	N		Spoj. hrdlo L15/1208/1 TGL03908	001	
52	83	9903886766	28 9903 88676 0	9	Kulička 18MMII TGL15515	001	
53	83	9952898778	28 9952 89877 0	1	Převlečná matice M15 LA	001	
54	83	9909952361	28 9909 95236 0	4	Půl spojky B110/160 TGL10971	001	
55	83	9969946795	28 9969 94679 0	5	Hrdlo T.L18/12-08/2 TGL03908	001	
56	83	9961911085	N		Pružná podložka B10 TGL7403GZN	004	
57	83	4221616556	28 4221 61655 0	1	Upínací plech	008	
58	83	0202527500	N		Upínací kus	003	
59	83	9930959877	N		Šroub M6 × 25 TGL0558GZNC	004	
60	83	9950895711	N		Matice M6 TGL09346GZN	012	
61	83	9961910847	N		Pružná podložka B6 TGL7403GZNC	010	
62	83	9923924817	N		Přípev. spona A12 TGL39709	003	
63	83	9933928972	N		Šroub M5 × 10 TGL093388GZNC	005	
64	83	9961910726	N		Pružná podložka B5 TGL7403GZNC	008	
65	83	9923924095	N		Přípev. spona A18 TGL39709	001	
66	83	9930929340	N		Šroub M6 × 16 TGL0558GZNC	003	
67	83	9923924841	28 9923 92484 0	0	Přípev. spona A8 TGL39709	001	
68	83	9936937938	N		Val. šroub AM4 × 12 TGL08458	001	
69	83	9961910605	N		Pružná podložka B4 TGL7403GZNC	001	
70	83	9950895430	N		Matice M4 TGL09346GZNC	001	
71	83	9969947128	28 9969 94712 0	3	Spoj. hrdlo L12/8-02/2 TGL03902	001	
72	83	9933929467	N		Šroub M6 × 30 TGL0558GZNC	001	
73	83	9960919856	N		Podložka 6,4 TGL8328GZNC	001	
74	83	4221616564	28 4221 61656 0	0	Redukční ventil	001	

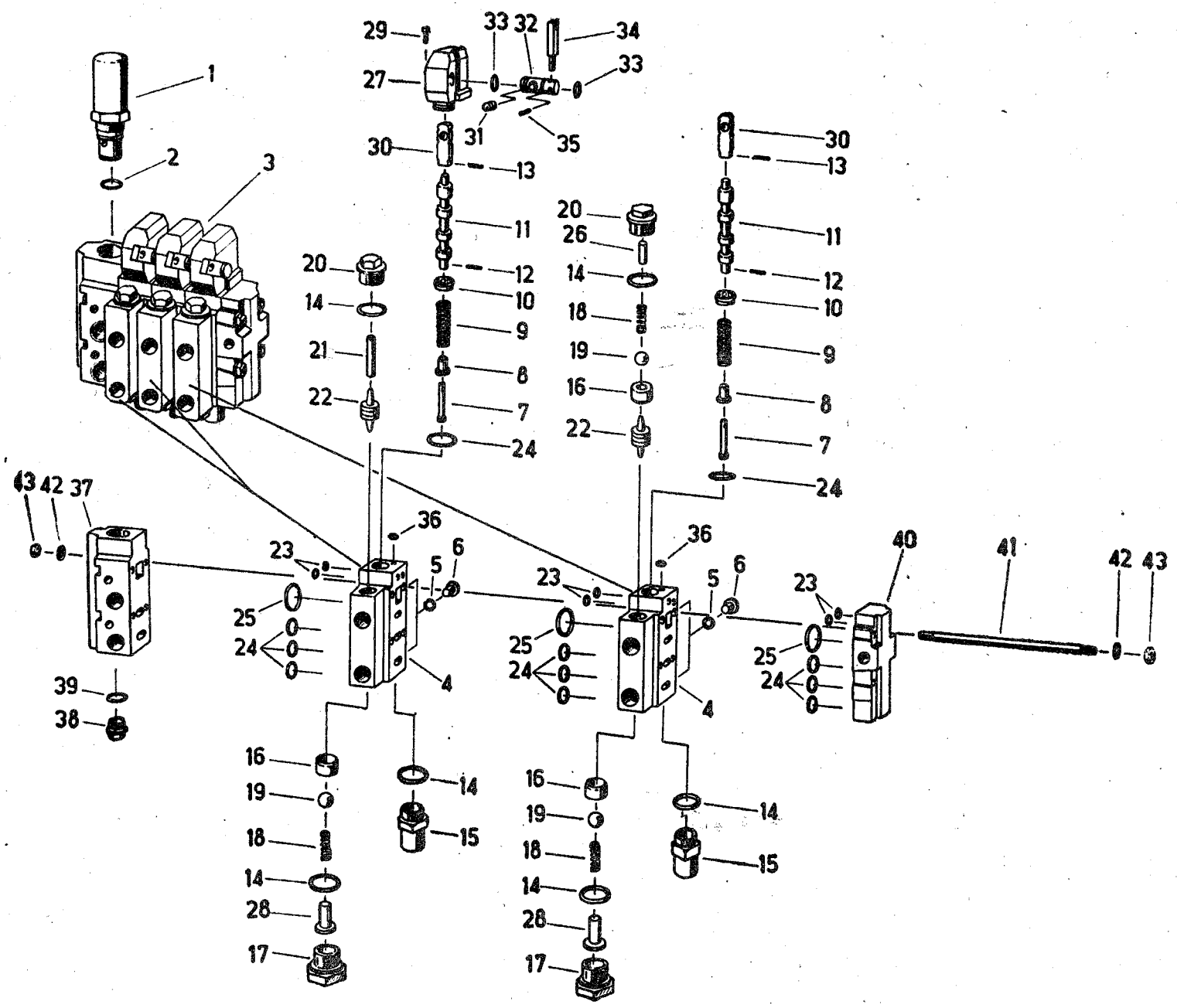
STROJ: 4 3 332

SKLÍZEČÍ MLÁTIČKA

E-512

TABULKA: 052A

Čís. poz.	Roč.	Katalogové číslo	Obchodní číslo zboží	KZ	Název zboží	Kusy	Provedení
75	83	0202795020	N		Potrubi	001	
76	83	4221614843	28 4221 61484 0	8	Škrťací clonka	001	
77	83	9923924825	28 9923 92482 0	2	Přípev. spona E12 TGL39709	002	
78	83	9933958672	N		Šroub M8 × 45 TGL093348GZNC	002	
79	83	9950895881	N		Maticice M8 TGL09346GZNC	008	
80	83	9960919831	N		Podložka 8,4 TGL8328GZNC	008	
81	83	9961910976	N		Pružná podložka B8 TGL7403GZNC	008	
82	83	9933957936	N		Šroub M8 × 20 TGL093348GZNC	004	
83	83	9933959753	N		Šroub M10 × 20 TGL093348GZNC	004	
84	83	9908952274	28 9908 95227 0	7	Hadice AA12 × 710 HFPS18110	001	
85	83	9969946955	28 9969 94695 0	5	Spoj. hrdlo L15-02 TGL03902	001	
86	83	9969945368	28 9969 94536 0	7	Hrdlo L12M-01 TGL03901GZNC	002	
87	83	9923924858	28 9923 92485 0	9	Přípev. spona A15 TGL39709	003	
88	83	9969946754	28 9969 94675 0	9		001	
89	83	9950895592	N		Maticice M5 TGL09346GZNC	004	
90	83	0202685570	N		Uzavírací šroub	001	
91	83	4221614562	28 4221 61456 0	2	Hrdlo k zašroubování	001	
92	83	9933928980	N		Šroub M5 × 12 TGL093388GZNC	004	
93	83	9908952313	28 9908 95231 0	1	Hadice 11-16 × 1250 TGL27894	001	
94	83	4221616597	28 4221 61659 0	7	Spona	001	
95	83	4240030642	28 4240 03064 0	8	Šroubení W18	001	
96	83	9969945230	28 9969 94523 0	2	Hrdlo 18 × 1-16 TGL31739	001	



TABULKA: 053

STROJ: 4 3 332

SKLÍZECÍ MLÁTIČKA

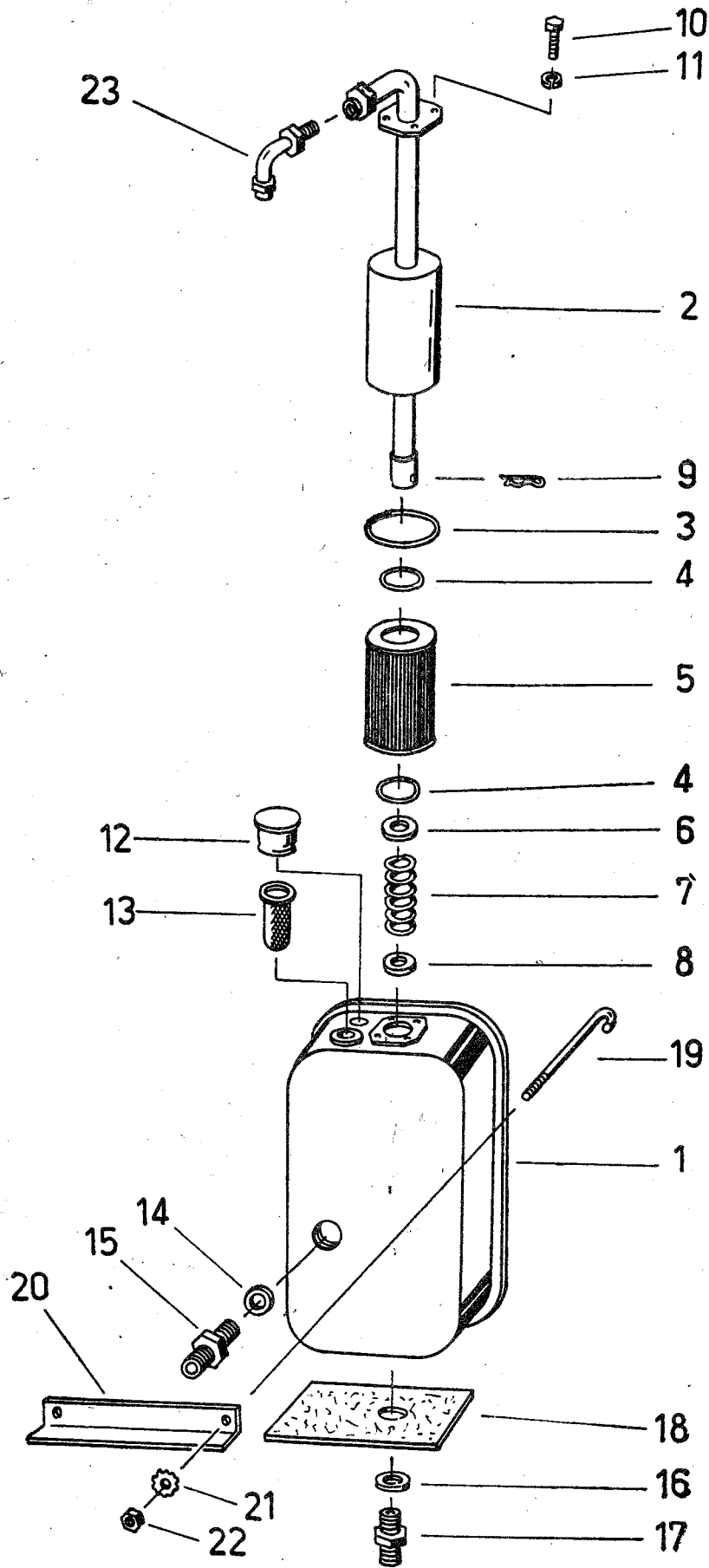
E-512

TABULKA: 053

Čís. poz.	Roč.	Katalogové číslo	Obchodní číslo zboží	KZ	Název zboží	Kusy	Provedení
1	83	9959953513	28 9959 95351 0	9	Redukční ventil TGL10947	001	
2	83	N	N		O-kroužek 24 × 3 TGL6365WS380	001	
3	83	4221655570	28 4221 65557 0	2	Rozvaděč	001	
4	83	4140752242	28 4140 75224 0	5	Skříň	003	
5	83	9970908353	28 9970 90835 0	0	Těs. kroužek A14 × 18 TGL07603CU	006	
6	83	9946936453	N		Zav. šroub M14 × 1,5 TGL090858	006	
7	83	4140752234	28 4140 75223 0	6	Čep	003	
8	83	4140752226	28 4140 75222 0	7	Pouzdro	003	
9	83	9973880032	28 9973 88003 0	5	Tl. pružina B2,5 × 18 × 11,5 TGL18395	003	
10	83	4140752218	28 4140 75221 0	8	Miska pružiny	003	
11	83	4140752201	28 4140 75220 0	9	Hradítko	003	
12	83	9967943021	N		Val. ryh. kolík 4 × 12 TGL0147358	003	
13	83	9967943054	N		Val. ryh. kolík 4 × 18 TGL0147358	003	
14	83	9970909338	28 9970 90933 0	1	Těs. kroužek A30 × 36 TGL07603CU	009	
15	83	4140752283	28 4140 75228 0	1	Uzavírací kus	003	
16	83	4140752291	28 4140 75229 0	0	Sedlo ventilu	004	
17	83	4140752275	28 4140 75227 0	2	Uzavírací šroub	003	
18	83	9973880274	28 9973 88027 0	7	Tl. pružina C1 × 11 × 7,5 TGL18395	004	
19	83	N	N		Kulička 16mm III15515	004	
20	83	117000201.45013	N		Uzavírací šroub	003	
21	83	N	N		Válcový kolík 12 × 55 TGL0147358	002	
22	83	4140752306	28 4140 75230 0	7	Píst	003	
23	83	9907914743	28 9907 91474 0	8	O-kroužek 10 × 3 TGL6365WS1957	008	
24	83	9907915061	28 9907 91506 0	9	O-kroužek 24 × 3 TGL6365WS1957	015	
25	83	9907915254	28 9907 91525 0	6	O-kroužek 30 × 3 TGL6365WS1957	004	
26	83	4140752363	28 4140 75236 0	1	Čep	001	
27	83	4140752468	28 4140 75246 0	9	Skříň	003	
28	83	N	N		Čep 8H11 × 14 TGL18010	003	
29	83	9936938303	N		Val. šroub M6 × 14 TGL091288GCDC	006	
30	83	4140752476	28 4140 75247 0	8	Radíci tyč	003	
31	83	4140752484	28 4140 75248 0	7	Radíci kolík	003	
32	83	4250131991	28 4250 13199 0	4	Hřídel	003	
33	83	9907914807	28 9907 91480 0	0	O-kroužek 14 × 3 TGL6365WS1957	006	
34	83	4221616250	28 4221 61625 0	7	Páka	003	
35	83	9967942904	N		Val. ryh. kolík 3 × 20 TGL0147358	003	
36	83	N	N		O-kroužek 6 × 3 TGL6365WS1057	003	
37	83	119000401450271	N		Uzavírací víko	001	

STROJ: 4 3 332**SKLÍZECÍ MLÁTIČKA****E-512****TABULKA: 053**

Čís. poz.	Roč.	Katalogové číslo	Obchodní číslo zboží	KZ	Název zboží	Kusy	Provedení
38	83	N	N		Uzavírací šroub M22 × 1,5	001	
39	83	9970909008	28 9970 90900 0	0	Těs. kroužek A22 × 27 TGL07603CU	001	
40	83	4140752410	28 4140 75241 0	4	Uzavírací víko	001	
41	83	4140752410	28 4140 75381 0	5	Tažná kotva	004	
42	83	9960921795	N		Podložka 10,5 TGL0125ST	008	
43	83	9950896118	N		Matice M10 TGL093410	008	



TABULKA: 054

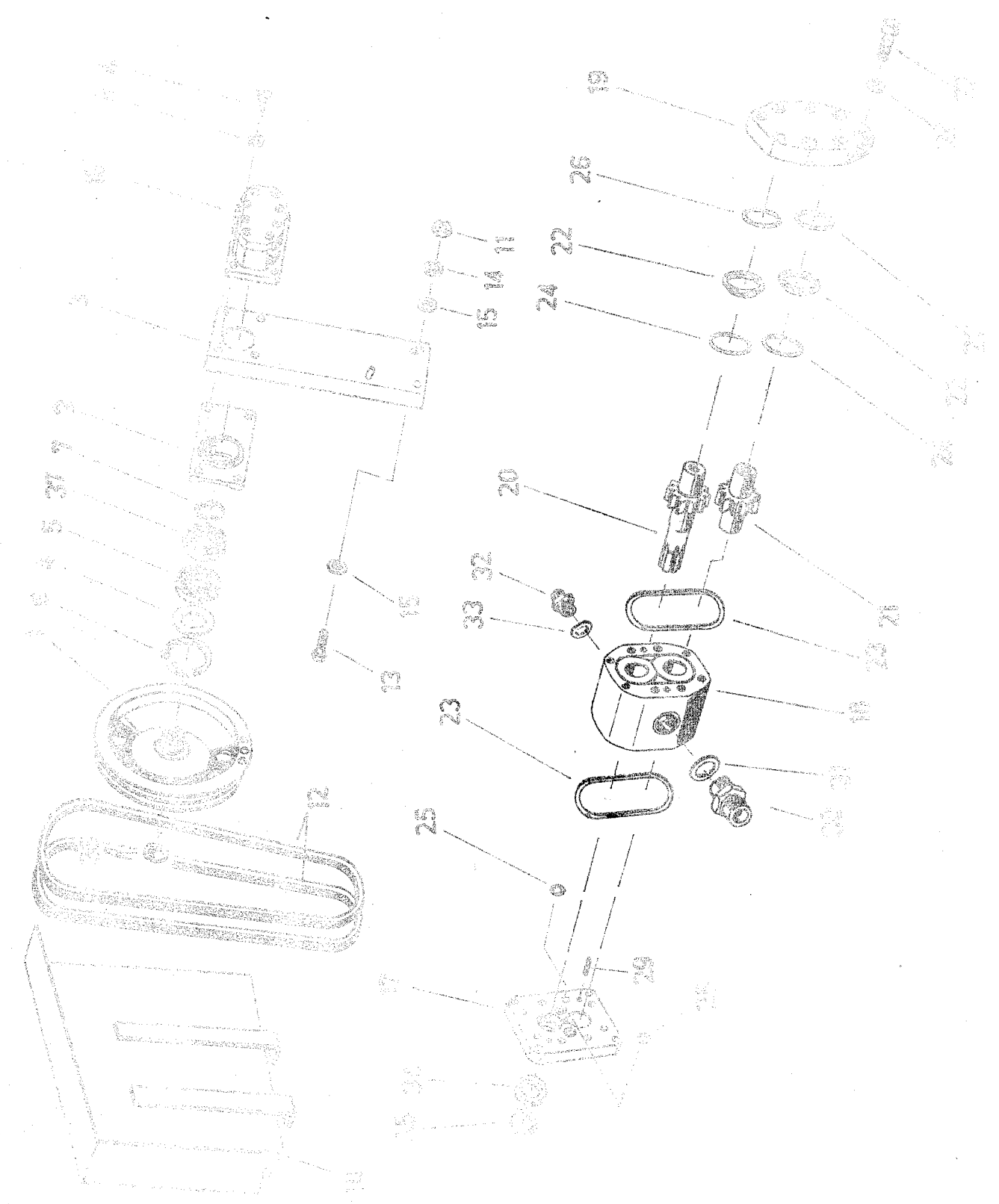
STROJ: 4 3 332

SKLÍZECÍ MLÁTIČKA

E-512

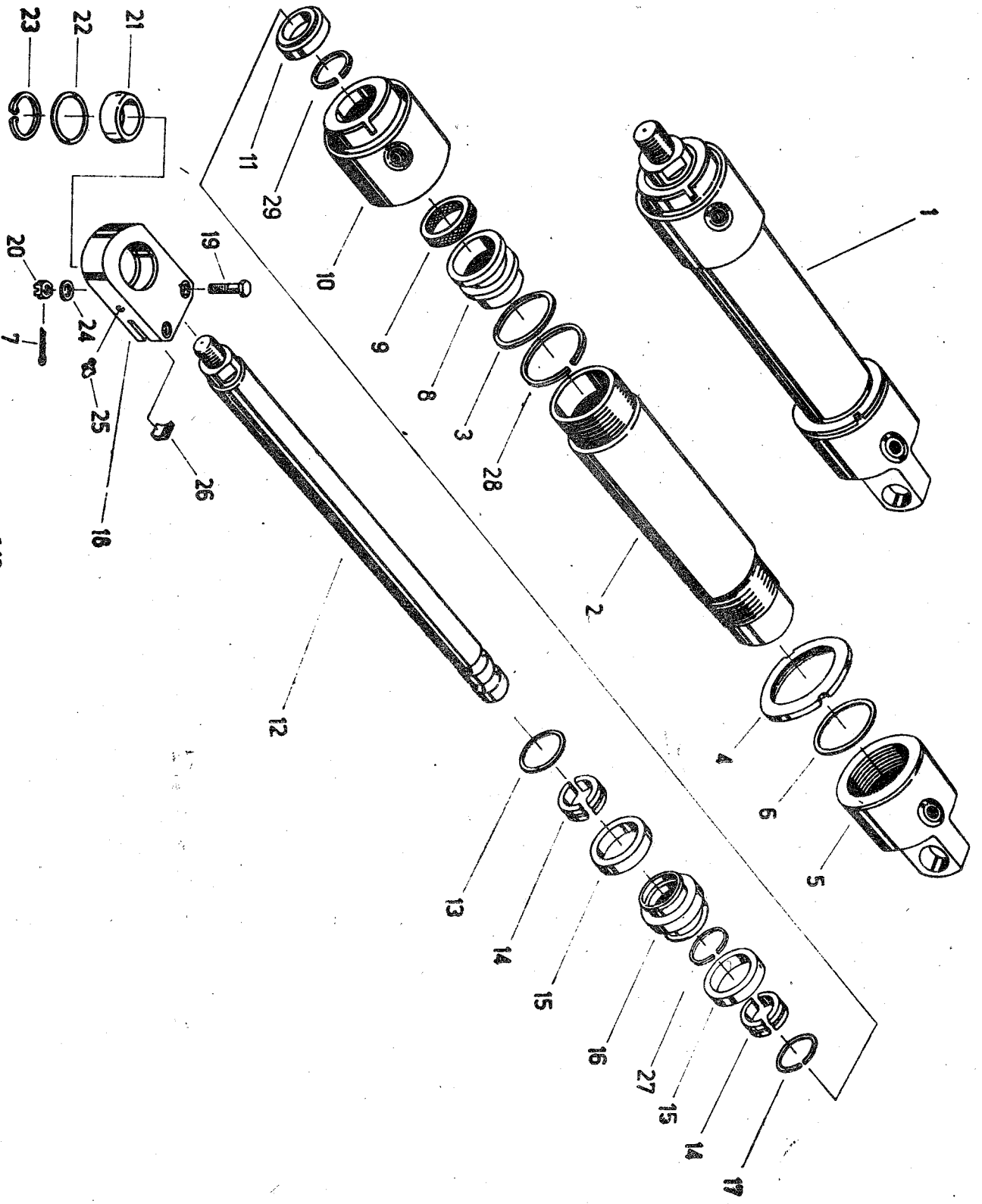
TABULKA: 054

Čís. poz.	Roč.	Katalogové číslo	Obchodní číslo zboží	KZ	Název zboží	Kusy	Provedení
1	83	4221616435	28 4221 61643 0	5	Nádrž	001	
2	83	4221616443	28 4221 61644 0	4	Sací vložka	001	
3	83	9907914495	28 9907 91449 0	9	O-kroužek 100 × 3 TGL6365WS2055	001	
4	83	4240029954	28 4240 02995 0	4	Těsnící kroužek	002	
5	83	4240030923	28 4240 03092 0	4	Filtrační vložka 63	001	
6	83	4240030312	28 4240 03031 0	7	Podložka	001	
7	83	4240030136	28 4240 03013 0	9	Tlačná pružina	001	
8	83	9965924270	N		Podložka 47 × 62 × 2 FON14510	001	
9	83	4240029962	28 4240 02996 0	3	Pružinová zastrčka 45	001	
10	83	9933929797	N		Šroub M8 × 12 TGL093388GZNC	004	
11	83	9961910976	N		Pružná podložka B8 TGL7403GZNC	004	
12	83	4240046143	28 4240 04614 0	0	Vzduchový filtr	001	
13	83	9912952454	28 9912 95245 0	6	Sítka B40 × 100 TGL13823	001	
14	83	9970909467	28 9970 90946 0	6	Těs. kroužek A33 × 39 TGL07603CU	001	
15	83	9969945585	28 9969 94558 0	1	Hrdlo 28 × 18-16 TGL31739GZNC	001	
16	83	9970908691	28 9970 90869 0	0	Těs. kroužek A18 × 22 TGL07603CU	001	
17	83	9969945673	28 9969 94567 0	0	Hrdlo 15 × 18-16 TGL31736GZNC	001	
18	83	4221616603	28 4221 61660 0	4	Deska	001	
19	83	4221616611	28 4221 61661 0	3	Tažný hák	002	
20	83	4221616473	28 4221 61647 0	1	Lišta	001	
21	83	9961924957	N		Ozub. podložka A6 TGL06797GZNC	002	
22	83	9950895711	N		Matice M6 TGL09346GZNC	004	
23	83	9969947216	28 9969 94721 0	2	Spoj. hrdlo L28-05 TGL3905GZNC	001	



STROJ: 4 3 332**SKLÍZECÍ MLÁTIČKA****E-512****TABULKA: 055**

Čís. poz.	Roč.	Katalogové číslo	Obchodní číslo zboží	KZ	Název zboží	Kusy	Provedení
34	83	N	N		Těs. kroužek A22 × 35 × 7 TGL16454	001	A16LA25L
35	83	9964917713	N		Pojistný kroužek 35 TGL0472	001	A16LA25L
36	83	9964924351	N		Uzavírací podložka 40 TGL0470	001	A16LA25L
37	83	9902890521	10 7062 08000 0	6	Kuličkové ložisko 6208	001	A16LA25L



TABULKA: 056

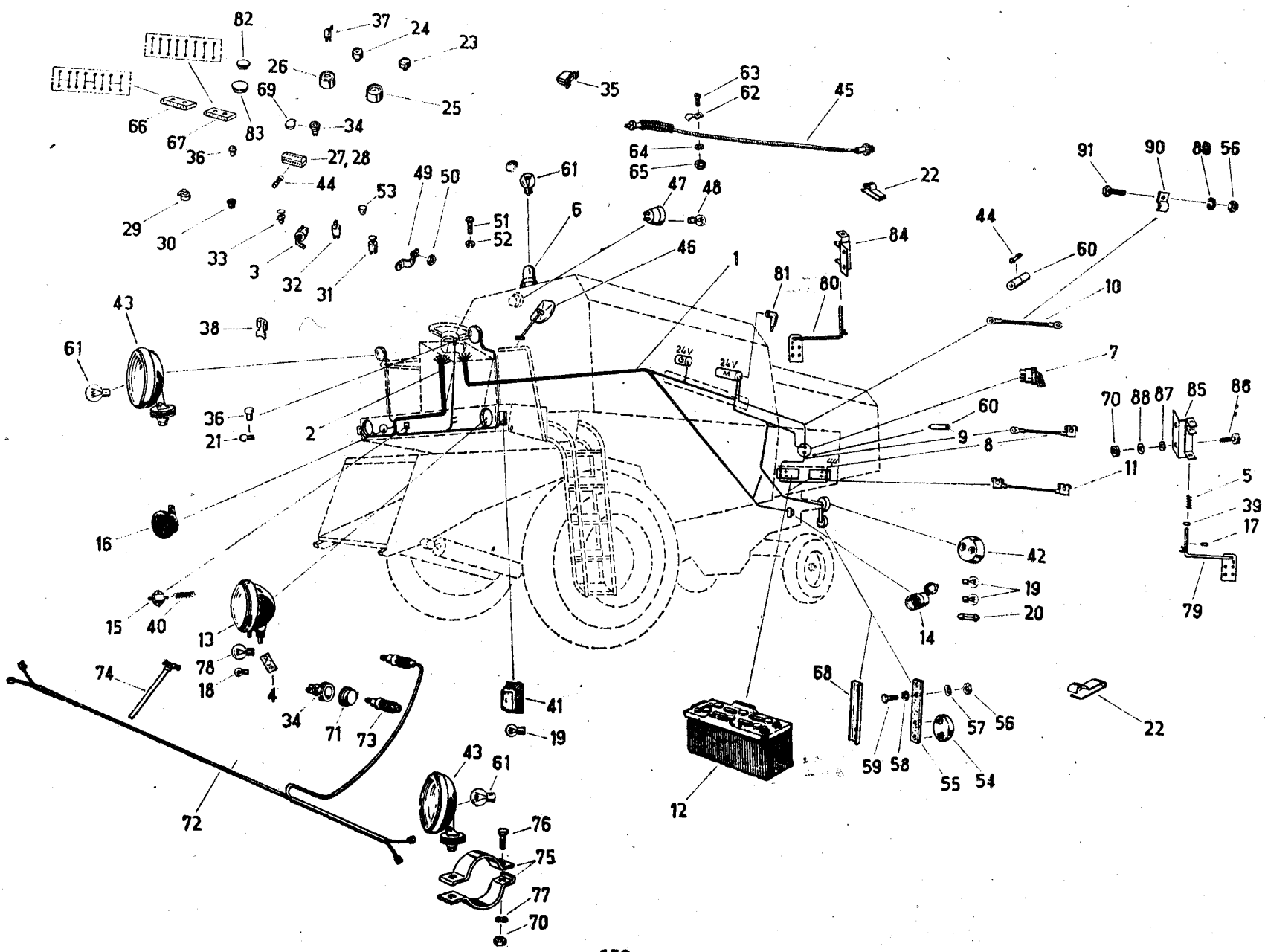
STROJ: 4 3 332

SKLÍZECÍ MLÁTIČKA

E-512

TABULKA: 056

Čís. poz.	Roč.	Katalogové číslo	Obchodní číslo zboží	KZ	Název zboží	Kusy	Provedení
1	83	4032800503	28 4032 80050 0	3	Válec zařízení	001	
1A	83	4240026613	28 4240 02661 0	7	Válec B2-40/18 × 250 TGL10906	001	
2	83	4240054738	28 4240 05473 0	9	ROura válce 250	001	
3	83	9907915873	28 9907 91587 0	2	O-kroužek 45 × 3 TGL6365WS1019	001	
4	83	4140752660	28 4140 75266 0	5	Dražková matice	001	
5	83	6322-6121/3	N		Víko ložiska B2	001	
6	83	9907913896	28 9907 91389 0	2	O-kroužek 45 × 2 TGL6365WS1019	001	
7	83	9963939385	N		Závlačka 2 × 20 TGL094STGCDC	002	
8	83	4140752685	28 4140 75268 0	3	Vodící pouzdro	001	
9	83	N	N		Kroužek sori 18 TGL6357WS1957	001	
10	83	6362-6411/0/	N		Těsnící skříň	001	
11	83	9907907535	28 9907 90753 0	2	Stif. kroužek 18 TGL17570WS1009	001	
12	83	6322-22../0/.	N		Pístní tyč	001	
13	83	9907913881	28 9907 91388 0	3	O-kroužek 14 × 2 TGL6365WS1019	001	
14	83	4140752716	28 4140 75271 0	8	Polovina kroužku	004	
15	83	N	N		Kroužek A40 TGL6359WS1957	002	
16	83	4140752724	28 4140 75272 0	7	Píst	001	
17	83	9962918121	28 9962 91812 0	2	Pojistný kroužek 25 × 2 TGL09045	001	
18	83	8918-7245/09	N		Kloubová hlava	001	
19	83	N	N		Šroub M8 × 35 TGL0931-8.8GZNC	002	
20	83	9951894197	N		Kor. matice M8 TGL0937GZNC	002	
21	83	N	N		Kyvné kluzné ložisko ZPS × 25	002	
22	83	6322-5301/0/	N		Rozpěrný kroužek	004	
23	83	9964917746	N		Pojistný kroužek 42 TGL0472	004	
24	83	9960921641	N		Podložka 8,4 TGL0125STGZNC	002	
25	83	9920925492	N		Kuželová maznička A8 TGL071412	001	
26	83	4140752757	28 4140 75275 0	4	Těsnící deska	001	
27	83	4140752773	28 4140 75277 0	2	Opěrný kroužek	002	
28	83	4140752781	28 4140 75278 0	1	Opěrný kroužek	001	
29	83	4140752798	28 4140 75279 0	0	Opěrný kroužek	001	



TABULKA: 057

STROJ: 4 3 332

SKLÍZEČÍ MLÁTIČKA

E-512

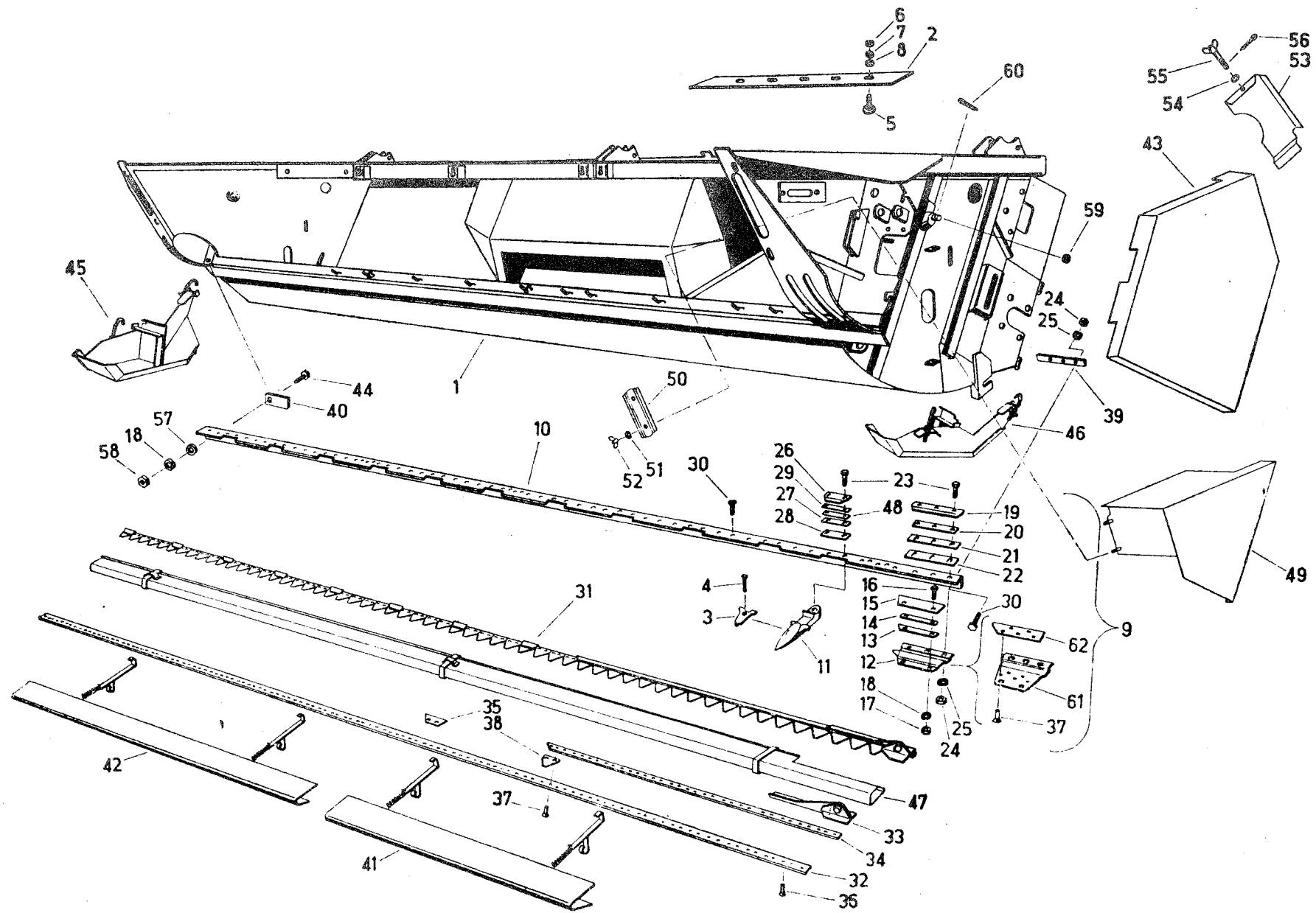
TABULKA: 057

Čís. poz.	Roč.	Katalogové číslo	Obchodní číslo zboží	KZ	Název zboží	Kusy	Provedení
1	83	5550450052	N		Svazek kabelu	001	
2	83	5550450031	N		Svazek kabelu	001	
3	83	9019874876	28 9019 87487 0	5	Spínač žhavicích spouštění	001	
4	83	4221616716	28 4221 61671 0	1	Nosník	002	
6	83	9019874273	28 9019 87427 0	7	Signální majáček 8563,5/2	001	
7	83	9019874634	28 9019 87463 0	3	Hlavní spínač baterie	001	
8	83	9922875270	N		Záporné vedení B95MMAL-D105L50	001	
9	83	9922875295	N		Kladné vedení A95mm AKD125L500	001	
10	83	9922875301	N		Spoj. vedení 95MMALD10,5D12,5L50	001	
11	83	9922875287	N		Klad-zap. vedení 95MMAL-L940	001	
12	83	9925875598	N		Baterie 12V 135AH TGL10241	002	
13	83	9019873891	28 9019 87389 0	4	Světlomet 36 LA ASYM.ECE	002	
14	83	9019878002	28 9019 87800 0	4	Zásuvka	001	
15	83	9019874747	28 9019 87474 0	0	Spínač brzdového světla	001	
16	83	9019876716	28 9019 87671 0	1	Houkačka	001	
18	83	9019876388	28 9019 87638 0	2	Žárovka D24V2WBA7S4 TGL10833	002	
19	83	9019876402	28 9019 87640 0	8	Žárovka B24V21WB15STGL10833	007	
20	83	9019876283	28 9019 87628 0	4	Žárovka B24V21WBA15S TGL10833	002	
21	83	9019876306	28 9019 87630 0	0	Žárovka B24V25WBA15S TGL10833	012	
22	83	9923925280	N		Zásuvná spona 48 TGL39855	006	
22A	83	9923925256	28 9923 92525 0	0	Zásuvná spona 36 TGL39855	015	
23	83	9004901934	28 9004 90193 0	4	Olej. tlakoměr A6/24F-MBD003TE	001	
24	83	9019875514	28 9019 87551 0	6	Indikační přístroj (3.1201/12)	001	
29	83	9019878410	28 9019 87841 0	5	Otočný spínač	001	
30	83	4221668253	28 4221 66825 0	5	Tlačítko	001	
31	83	4221668245	28 4221 66824 0	6	Zařízení pro spouštění motoru	001	
32	83	9019875112	28 9019 87511 0	4	Posuvný spínač	002	
33	83	9019875104	28 9019 87510 0	5	Posuvný spínač	003	
34	83	9019877942	28 9019 87794 0	3	Zásuvka	002	
35	83	9019877901	28 9019 87790 0	7	Regulátor napětí a kont. relé	001	
36	83	9019873666	28 9019 87366 0	1	Kontrolka červená	004	
36A	83	9019873658	28 9019 87365 0	2	Kontrola oranžová	001	
36B	83	9019873641	28 9019 87364 0	3	Kontrola modrá	001	
37	83	9019875844	28 9019 87584 0	7	Přerušovač blikáče 24V2 x 2W1	001	
38	83	9019875940	28 9019 87594 0	5	Plocha zastr. zdírka A6,3-1	062	
38A	83	9019875957	28 9019 87595 0	4	Plocha zastr. zdírka A6,3-2,5	017	
38B	83	9019875965	28 9019 87596 0	3	Plocha zastr. zdírka A6,3-6	002	

Čís. poz.	Roč.	Katalogové číslo	Obchodní číslo zboží	KZ	Název zboží	Kusy	Provedení
40	83	9974880846	28 9019 88084 0	6	Taž. průtina A1,4 × 15 × 25TGL18397	001	
41	83	9019874425	28 9019 87442 0	8	Boč. svítlna blikače	002	
42	83	9019874056	28 9019 87405 0	3	Svítlna brzdy-konc.-majáčku	002	
43	83	9019873826	28 9019 87382 0	1	pracovní světlo	004	
44	83	9019877210	28 9019 87721 0	0	Pojistka A4 TGL11135	016	
44A	83	9019877202	28 9019 87720 0	1	Pojistka 16A	001	
45	83	9913862556	28 9019 86255 0	1	Oheb. hřidel s ochran. pružinou	001	
46	83	9019883362	28 9019 88336 0	5	Zrcátko s obdubou A103	002	
47	83	8725.3/11	N		Světlomet pro zpět. jízdu vzad	001	
48	83	9019876402	28 9019 87640 0	8	Žárovka FZLB24V21WP25ITGL10833	001	
49	83	9923924833	N		Přípev. spona F2 × 15 TGL39705	001	
50	83	9950895392	N		Matice M5 TGL09346GZNC	002	
51	83	N	N		Šroub BM8 × 16 TGL08548GZN	001	
52	83	9961910976	N		Pružná podložka B8 TGL7403GZNC	001	
53	83	N	N		Knoflík pro pos. spínač SH81S	006	
54	83	9019877895	28 9019 87789 0	0	Odrážka kulata TGI 31306	002	
55	83	N	N		Kyvadlo zpět. odrážky C240	002	
56	83	9950895711	N		Matice M6 TGL09346GZN	005	
57	83	9961919927	N		Pružná podložka 6 TGL0137GZN	004	
58	83	9960962063	N		Podložka 5,3 TGL8328GZNC	004	
59	83	9930929340	N		Šroub M6 × 16 TGL0558GZNC	004	
60	83	9019877805	28 9019 87780 0	9	Ochr. objímka SGH-4A	002	
61	83	9019876499	28 9019 87649 0	9	Halog. lampa H3PK2224V70W	005	
62	83	9923924946	N		Přípev. spona A10 TGL39709GZNC	001	
63	83	9937939264	N		Val. šroub BM4 × 10 TGL08458GZNC	001	
64	83	9961910605	N		Pružná podložka B4 TGL7403GZNC	001	
65	83	9950895430	N		Matice M4 TGL09346GZNC	001	
66	83	9019877485	28 9019 87748 0	9	Svazek vedení	001	
67	83	9019877493	28 9019 87749 0	8	Svazek vedení	001	
68	83	0202598370	N		Držák	002	
69	83	9019874796	28 9019 87479 0	5	Víko	001	
70	83	9950895881	N		Matice M8 TGL09346GZNC	006	
71	83	9019874802	28 9019 87480 0	2	Víko	001	
72	83	4221649314	28 4221 64931 0	0	Svazek kabelu	001	
73	83	9019877918	28 9019 87791 0	6	Zástrčka	001	
74	83	9910961904	28 9910 95190 0	6	Had. spona A9 × 250 TGL11046GZN	008	
75	83	4221649306	28 4421 64930 0	1	Spona	004	

STROJ: 4 3 332**SKLÍZECÍ MLÁTIČKA****E-512****TABULKA: 057**

Čís. poz.	Roč.	Katalogové číslo	Obchodní číslo zboží	KZ	Název zboží	Kusy	Provedení
76	83	9932930131	N		Šroub M8 × 30 TGL0601GZNC	002	
77	83	9961919968	N		Pružná podložka 8 TGL2927GZN	002	
78	83	9019876058	28 9019 87605 0	1	Žárovka FSDA24V55/50WTGL114130	002	
81	83	1-61-626	N		Ochranná čepička	002	
82	83	4240026228	28 4240 02622 0	4	Uzavírací víko	001	
83	83	4240026211	28 4240 02620 0	5	Uzavírací víko	001	
89	83	9961910847	N		Pružná podložka B6 TGL7403GZNC	001	
90	83	9923924095	N		Přípev. spona A18 TGL39709	001	
91	83	9933957815	N		Šroub M6 × 16 TGL093348GZNC	001	



TABULKA: 058

STROJ: 4 3 332

SKLÍZECÍ MLÁTIČKA

E-512

TABULKA: 058

Čís. poz.	Roč.	Katalogové číslo	Obchodní číslo zboží	KZ	Název zboží	Kusy 14'	Kusy 19'
1	83	4222629518	28 4222 62951 0	8	Žlab	001	000
1A	83	4224635218	28 4224 63521 0	2	Žlab	000	001
2	83	5556010091	N		Lišta	002	000
2A	83	5557010091	N		Lišta	000	002
3	83	4105000836	28 4105 00083 0	7	Prstová destička A TGL5874	056	074
4	83	N	N		Zapust. nýt 5 × 25 TGL0661MST2U	056	074
5	83	9945926067	N		Šroub M6 × 20 TGL0603GZN	012	016
6	83	9950895711	N		Maticice M6 TGL09346GZN	012	016
7	83	9961610847	N		Pružná podložka B6 TGL 7403GZNC	012	016
8	83	9960919856	N		Podložka 6,4 TGL8328GZNC	012	016
9	83	4223631014	28 4223 63101 0	2	Prstová lišta	001	000
9A	83	4224636411	28 4224 63641 0	7	Prstová lišta	000	001
10	83	4223631625	28 4223 63162 0	9	Prstová lišta	001	000
10A	83	4224636620	28 4224 63662 0	2	Prstová lišta	000	001
11	83	4105000852	28 4105 00085 0	5	Prst HA TGL 5876	056	074
12	83	4222631666	28 4222 63166 0	7	Vodící těleso	001	001
13	83	4223631762	28 4223 63176 0	3	Podložka	001	001
14	83	4223631713	28 4223 63171 0	8	Přiložka 1mm	000	000
14A	83	1123631721	28 1123 63172 0	2	Přiložka 0,7mm	000	000
14B	83	4223631738	28 4223 63173 0	6	Přiložka 0,5 mm	000	000
15	83	4223631770	28 4223 63177 0	2	Tlačná deska	001	001
16	83	9933931180	N		Šroub M10 × 35 TGL093388GZNC	002	002
17	83	9950896118	N		Maticice M10 TGL09348GZNC	002	002
18	83	9961911085	N		Pružná podložka B10 TGL7403GZN	015	018
19	83	4223631971	28 4223 63197 0	8	Držák žací hlavy	001	001
20	83	4223631801	28 4223 63180 0	7	Podložka 1mm	000	000
20A	83	4223631818	28 4223 63181 0	6	Podložka 0,7 mm	000	000
20B	83	4223631826	28 4223 63182 0	5	Podložka 0,5 mm	000	000
21	83	4223632007	28 4223 63200 0	2	Hor. vedení nožové hlavy	001	001
22	83	4223632048	28 4223 63204 0	8	Spod. vedení nožové hlavy	001	001
23	83	9933932108	N		Šroub M12 × 40 TGL093388GZNC	025	033
24	83	9950896392	N		Maticice M12 TGL09348GZN	006	006
25	83	9961911204	N		Pružná podložka B12TGL7403GZNC	006	006
26	83	4222631930	28 4222 63193 0	4	Držák kosy	011	015
27	83	4223631914	28 4223 63191 0	4	Vodící lišta	011	015
28	83	4222631922	28 4222 63192 0	5	Třecí lišta	011	015

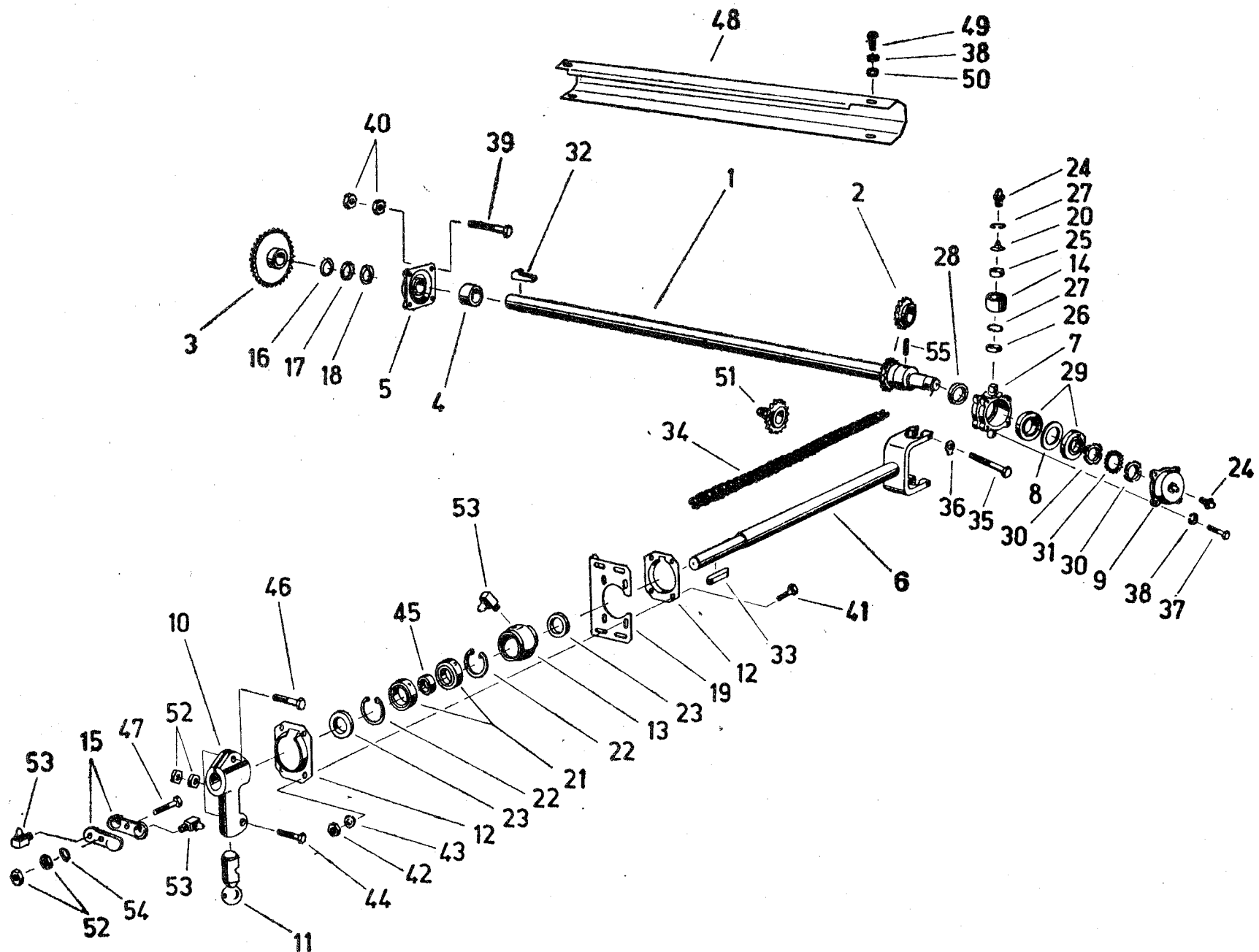
STROJ: 4 3 332

SKLÍZEČÍ MLÁTIČKA

E-51Z

TABULKA: 058

Čís. poz.	Roč.	Katalogové číslo	Obchodní číslo zboží	KZ	Název zboží	Kusy 14'	Kusy 19'
29	83	4105000780	28 4105 00078 0	4	Vodítko	000	000
30	83	9933931910	N		Šroub M12 × 30 TGL093388GZNC	037	047
31	83	4223631030	28 4223 63103 0	0	Kosa žací lišty	001	000
31A	83	4224636436	28 4224 63643 0	5	Kosa žací lišty	000	001
32	83	4223632177	28 4223 63217 0	3	Hřbet kosy	001	000
32A	83	4224636758	28 4224 63675 0	7	Hřbet kosy	000	001
33	83	7223632097	28 4223 63209 0	3	Hlava kosy	001	001
34	83	4223632144	28 4223 63214 0	6	Horní pás	001	000
35	83	4105000370	28 4105 00037 0	3	Stěrka D TGL 3345020	008	008
36	83	9971901290	N		Nýt se zap. hl. 5 × 20 TGL0661MU8	009	009
37	83	9971901266	N		Nýt se zap. hl. 5 × 16 TGL0661MU8	112	153
38	83	4105000588	28 4105 00058 0	8	Žabka C10 TGL6005	058	076
39	83	4223631408	28 4223 63140 0	5	Přiložka	000	000
40	83	4223631416	28 4223 63141 0	4	Přiložka	000	000
41	83	4223634765	28 4223 63476 0	0	Kryt prstu žac. lišty 1340MMDL	001	002
42	83	4223634740	28 4223 63474 0	2	Kryt prstu žac. lišty 1495MMDL	002	002
43	83	4223634611	28 4223 63461 0	7	Kryt žlabu	001	001
44	83	9933931123	N		Šroub M10 × 30 TGL093388GZNC	001	001
45	83	4221647956	28 4221 64795 0	6	Nádrž	001	001
46	83	4221647907	28 4221 64790 0	1	Nádrž	001	001
47	83	4223634941	28 4223 63494 0	8	Pouzdro kosy	001	000
47A	83	4224639318	28 4224 63931 0	6	Pouzdro kosy	000	001
48	83	4105000916	28 4105 00091 0	7	Podložka 1,0 mm	000	000
57	83	9960962047	N		Podložka 10,5TGL8328GZNC	013	016
58	83	9950896118	N		Maticice M10 TGL09346GZN	013	016
59	83	9960922546	N		Podložka 21 TGL8328GZNC	002	002
60	83	9963950274	N		Závlačka 5 × 32 TGL094STGCD	002	002
61	83	4223632103	28 4223 63210 0	0	Vodící těleso	001	001
62	83	MD1427	N		Vodící deska	001	001



TABULKA 59

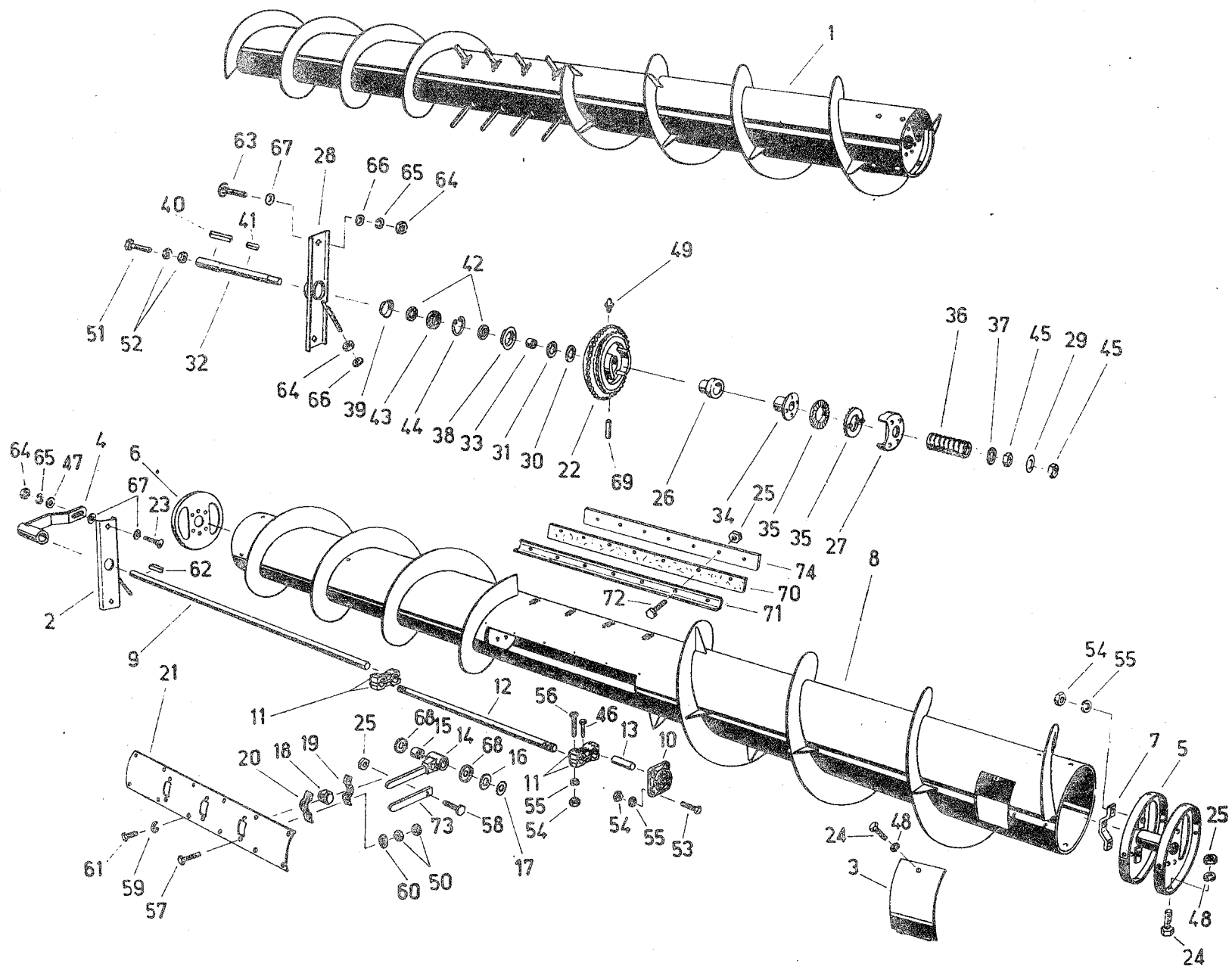
STROJ: 4 3 332

SKLÍZECÍ MLÁTIČKA

E-512

TABULKA: 059

Čís. poz.	Roč.	Katalogové číslo	Obchodní číslo zboží	KZ	Název zboží	Kusy 14'	Kusy 19'
36	83	9962923600	28 9962 92360 0	7	Pojistka 13 TGL093ST	002	002
37	83	9932930001	N		Šroub M8 × 20 TGL093388GZNC	004	004
38	83	9961910976	N		Pružná podložka B8 TGL7403GZNC	008	008
39	83	9934932734	N		Šroub M14 × 1,5 × 40TGL096088GZNC	008	008
40	83	9950896657	N		Matice M14 × 1,5 TGL09366GZN	016	016
41	83	9933931027	N		Šroub M10 × 25 TGL093388GZNC	004	004
42	83	9950896118	N		Matice M10 TGL09346GZN	004	004
43	83	9961911085	N		Pružná podložka B10 TGL7403GZN	004	004
44	83	9935932292	N		Šroub M12 × 60 TGL093188GZNC	001	001
45	83	4223631360	28 4223 63136 0	1	Rozpěrný kroužek	001	001
46	83	9934959141	N		Šroub M12 × 45 TGL096188GZNC	001	001
47	83	N	N		Šroub CM12 × 70 TGL0931-10,9	001	001
48	83	4223634732	28 4223 63473 0	3	Kryt hřídele	001	000
48A	83	4224639221	28 4224 63922 0	7	Kryt hřídele	001	001
49	83	9930929871	N		Šroub M8 × 16 TGL0558GZNC	004	004
50	83	9960919831	N		Podložka 8,4 TGL8328GZNC	004	004
51	83	9919886123	28 9919 88612 0	2	Napínač řetězu 12B-1 × 21	001	001
52	83	9950896407	N		Matice M12 TGL09346 GZNC	006	006
53	83	9920925548	N		Kuželová maznička C8 TGL071412	003	003
54	83	9960922031	N		Podložka 13 TGL8328GZNC	001	001
55	83	9967944834	N		Val. ryh. kolík 16M6C7OTGL0758	001	001



TABULKA: 060

STROJ: 4 3 332

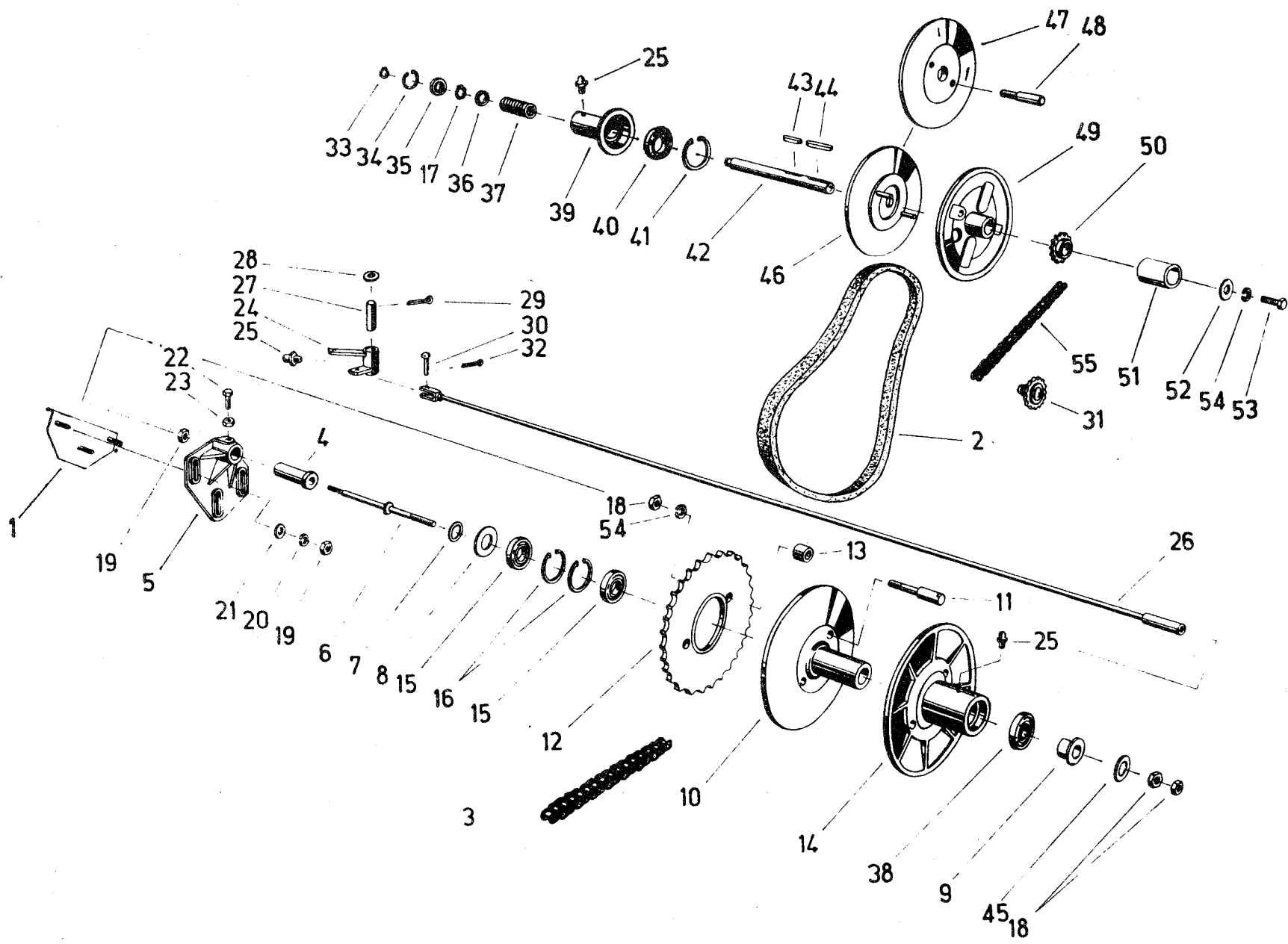
SKLÍZEČÍ MLÁTIČKA

E-512

TABULKA: 060

Čís. poz.	Roč.	Katalogové číslo	Obchodní číslo zboží	KZ	Název zboží	Kusy 14'	Kusy 19'
1	83	4223629831	28 4223 62983 0	8	Šnek	001	001
1A	83	4224635580	28 4224 63558 0	9	Šnek	000	001
2	83	4223629872	28 4223 62987 0	4	Uložení	001	001
3	83	4210399307	28 4210 39930 0	7	Šoupátko	001	001
4	83	4252124162	28 4252 12416 0	8	Páka výstředníku	001	001
5	83	4223629985	28 4223 62998 0	1	Uložení šneku	001	001
6	83	4223630021	28 4223 63002 0	2	Dno	001	001
7	83	4223630038	28 4223 63003 0	1	Třmen	001	001
8	83	4223630087	28 4223 63008 0	6	Plast šneku	001	000
8A	83	4224635597	28 4224 63559 0	8	Plast šneku	000	001
9	83	4223630101	28 4223 63010 0	2	Řidičí hřídel proved. A2	001	000
9A	83	4224635603	28 4224 63560 0	5	Řidičí hřídel	000	001
10	83	9902888287	10 7910 12060 0	6	Průrubové ložisko FGE206	003	003
11	83	4223630134	28 4223 63013 0	9	Rameno	004	004
12	83	4223630142	28 4223 63014 0	8	Ozubový hřídel	001	001
13	83	4223630150	28 4223 63015 0	7	Hřídel	001	001
14	83	4240041524	28 4240 04152 0	9	Ozuby	015	015
15	83	4223630257	28 4223 63025 0	5	Pouzdro	015	015
16	83	4223630222	28 4223 63022 0	8	Čepička	002	002
17	83	4221624162	28 4221 62416 0	8	Těsnící podložka	002	002
18	83	4241032514	28 4241 03251 0	9	Kyvné ložisko	015	015
19	83	4241032522	28 4241 03252 0	8	Spona	015	015
20	83	4241032530	28 4241 03253 0	7	Spona	015	015
21	83	4223630640	28 4223 63064 0	8	Víko	001	001
22	83	4223630431	28 4223 63043 0	3	Spojková část	001	001
23	83	9945926460	N		Šroub M12 × 35 TGL0603GZN	001	001
24	83	9933929860	N		Šroub M8 × 16 TGL093388GZNC	013	013
25	83	9950895881	N		Matice M8 TGL09346GZN	055	055
26	83	4223630480	28 4223 63048 0	8	Rozpěrné pouzdro	001	001
27	83	4221600854	28 4221 60085 0	3	Polovina spojky	001	001
28	83	4223630536	28 4223 63053 0	1	Uložení	001	001
29	83	4221601308	28 4221 60130 0	7	Pojistná podložka	001	001
30	83	4210382202	28 4210 38220 0	8	Tlačný kroužek	001	001
31	83	4210386761	28 4210 38676 0	8	Podložka	000	000
32	83	4223630608	28 4223 63060 0	2	Hřídel	001	001
33	83	4223630624	28 4223 63062 0	0	Pouzdro	001	001

Čís. poz.	Roč.	Katalogové číslo	Obchodní číslo zboží	KZ	Název zboží	Kusy 14'	Kusy 19'
34	83	4210386753	28 4210 38675 0	9	Náboj spojky	001	001
35	83	4221626203	28 4221 62620 0	0	Ozubená spojka	002	002
36	83	4221601277	28 4221 60127 0	2	Pružina spojky	001	001
37	83	9965922863	N		Podložka 26 × 55 × 5 FON1451OST	001	001
38	83	9904868980	28 9904 86898 0	3	Víko A62 × 45 TGL 3317209	001	001
39	83	9904873117	28 9904 87311 0	9	Držák těsnění 62 TGL3317107	001	001
40	83	9965956518	28 9965 95651 0	3	Hranolové péro A10 × 8 × 100TGL9500	001	001
41	83	9965956212	28 9965 95621 0	9	Hranolové péro A8 × 7 × 56 TGL9500	001	001
42	83	9905870507	28 9905 87050 0	3	Gufero 35 × 52 × 7	002	002
43	83	9902889448	10 7101 20600 0	0	Kuličkové ložisko 1206	001	001
44	83	9964917818	N		Pojistný kroužek 62 TGL0472	001	001
45	83	9950897143	N		Matice M24 × 1,5 TGL093456ZNC	002	002
46	83	9932931237	N		Šroub M10 × 40 TGL093188GZNC	002	002
47	83	9961922088	N		Podložka A14 TGL0440STGZNC	001	001
48	83	9961910976	N		Pružná podložka B8 TGL7403GZNC	013	013
49	83	9920925523	N		Kuželová maznička A10TGL071412	001	001
50	83	9950895711	N		Matice M6 TGL09346GZN	060	060
51	83	9935959438	N		Šroub M12 × 1,5 × 55 TGL096188	001	001
52	83	9950837393	N		Matice M12 × 1,5 TGL09346GZNC	002	002
53	83	9933931123	N		Šroub M10 × 30 TGL093388GZNC	012	012
54	83	9950896118	N		Matice M10 TGL09346GZNC	024	024
55	83	9961911085	N		Pružná podložka B10 TGL7403GZN	024	024
56	83	9933931412	N		Šroub M10 × 60 TGL093388	008	008
57	83	9933929370	N		Šroub M6 × 20 TGL093388GZNC	030	030
58	83	9933929973	N		Šroub M8 × 25 TGL093388GZNC	015	015
59	83	9961910847	N		Pružná podložka B6 TGL7403GZNC	012	012
60	83	9960919116	N		Podložka 6,4 TGL0125STGZN	030	030
61	83	9933959748	N		Šroub M8 × 10 TGL093388GZNC	012	012
62	83	9965956105	28 9965 95610 0	2	Hranolové péro A8 × 7 × 40 TGL9500	001	001
63	83	9945926428	N		Šroub M12 × 30 TGL0603GZN	004	004
64	83	9950896407	N		Matice M12 TGL09346GZN	009	009
65	83	9961911212	N		Pružná podložka B12 TGL7403	006	006
66	83	9960922031	N		Podložka 13 TGL8328GZNC	008	008
67	83	9961922096	N		Podložka B14 TGL0440GZN	006	006
68	83	4223630247	28 4223 63024 0	6	Čepička	014	014
69	83	N	N		Val kolík 6M6 × 25 TGL0758	001	001



TABULKA 61

TABULKA: 061

STROJ: 4 3 332

SKLÍZECÍ MLÁTIČKA

E-512

TABULKA: 061

Čís. poz.	Roč.	Katalogové číslo	Obchodní číslo zboží	KZ	Název zboží	Kusy 14'	Kusy 19'
1	83	4223633828	28 4223 63382 0	3	Zesílení	001	001
2	83	4221668173	28 4221 66817 0	5	Klínový řemen 36 × 14 × 1140L1	001	001
3	83	9917906766	28 9917 90676 0	5	Val. řetěz 12B-01-98 TGL11796	001	001
4	83	4223634000	28 4223 63400 0	0	Čep osy	001	001
5	83	4223633940	28 4223 63394 0	9	Příruba	001	001
6	83	4223633973	28 4223 63397 0	6	Tažná tyč	001	001
7	83	9965922984	N		Podložka 33 × 40 × 1 FON1451OST	001	001
8	83	4221613440	28 4221 61344 0	7	Těsnící podložka	001	001
9	83	4223634201	28 4223 63420 0	6	Rozpěrné pouzdro	001	001
10	83	4221613223	28 4221 61322 0	3	Podložka	001	001
11	83	4221613231	28 4221 61323 0	2	Čep	001	001
12	83	4223633916	28 4223 63391 0	2	Ozubený věnec	002	002
13	83	4221613256	28 4221 61325 0	0	Rozpěrné pouzdro	002	002
14	83	4221613264	28 4221 61326 0	9	Regulační podložka	001	001
15	83	9902890474	10 7062 06600 0	4	Kuličkové ložisko 6206 RS	001	001
16	83	9964917818	N		Pojistný kroužek 62 TGL0472	002	002
17	83	9964917215	N		Pojistný kroužek 30 TGL0471	001	001
18	83	9950896407	N		Maticice M12 TGL09346GZN	004	004
19	83	9950896118	N		Maticice M10 TGL0934GZNC	004	004
20	83	9961911085	N		Pružná podložka B10 TGL7403GZN	003	003
21	83	9961921970	N		Podložka A11,5 TGL0440STGZNC	003	003
22	83	4036800862	N		Šestihranný šroub	001	001
23	83	9950895881	N		Maticice M8 TGL09346GZNC	001	001
24	83	4223633860	28 4223 63386 0	9	Přestavení	001	001
25	83	9920925507	N		Kuželová maznička A8 TGL071412	003	003
26	83	4223633885	28 4223 63388 0	7	Tažná tyč	001	001
26A	83	4224638583	28 4224 63858 0	6	Tažná tyč	000	001
27	83	9949864588	28 9949 86458 0	1	Čep 20 × 100 × 84 TGL01433	001	001
28	83	9960923401	N		Podložka 21 TGL1774STGZNC	002	002
29	83	9963950258	N		Závlačka 5 × 30 TGL094STGCD	002	002
30	83	N	N		Nýt s pul.hl. 10 × 28 TGL0124	001	001
31	83	9919886115	28 9919 88611 0	3	Napínač řetězu 10B1 × 30TGL25805	002	002
32	83	9963949762	N		Závlačka 3,2 × 16 TGL094STGCD	001	001
33	83	9964917192	N		Pojistný kroužek 25 TGL0471	001	001
34	83	9964917787	N		Pojistný kroužek 52 TGL0472	001	001
35	83	9902890441	10 7062 05600 0	6	Kuličkové ložisko 6205 RS	001	001

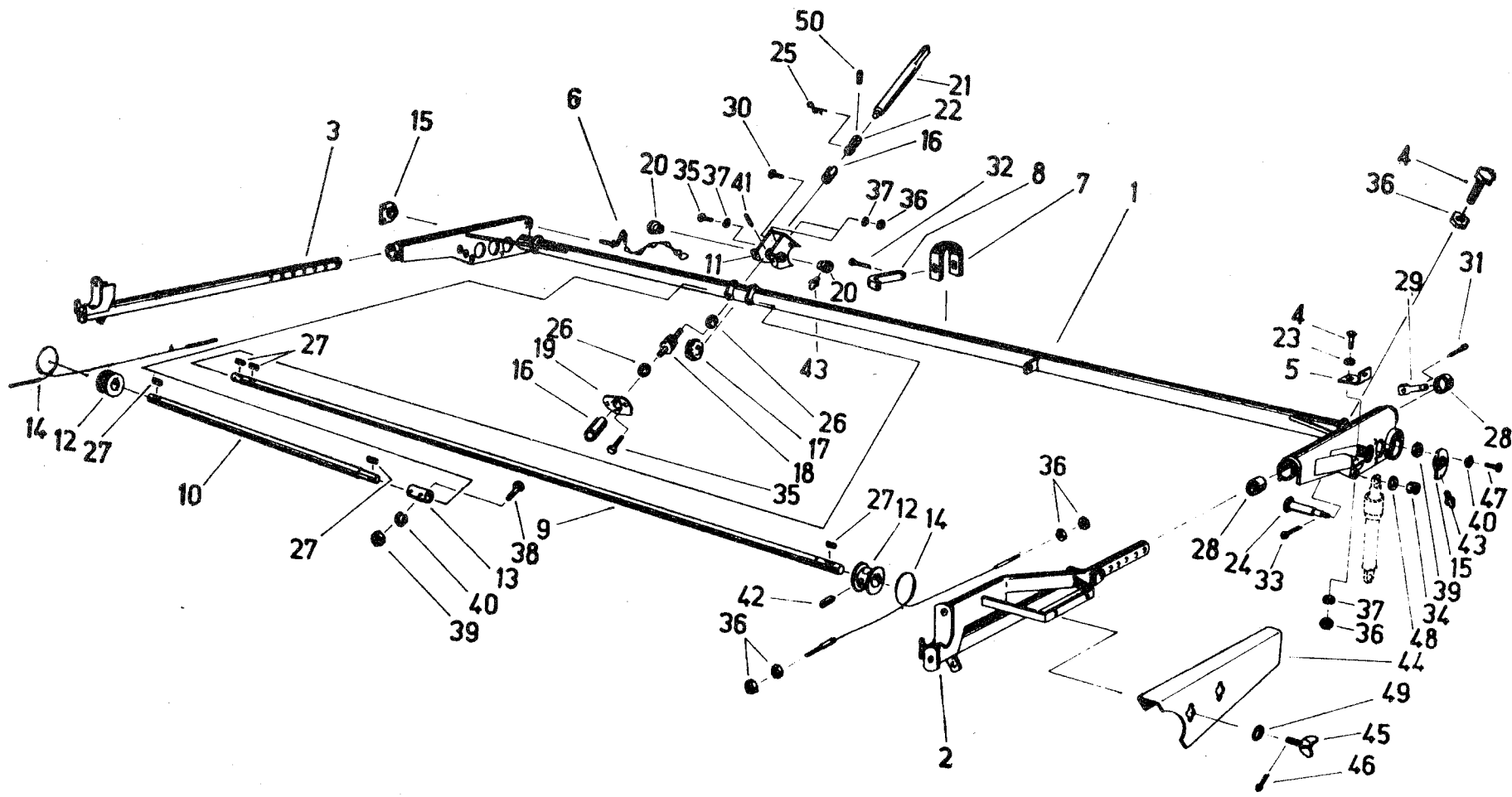
STROJ: 4 3 332

SKLÍZECÍ MLÁTIČKA

E-512

TABULKA: 061

Čís. poz.	Roč.	Katalogové číslo	Obchodní číslo zboží	KZ	Název zboží	Kusy 14'	Kusy 19'
36	83	9960922931	N		Podložka 31 TGL8328GZNC	001	001
37	83	9973880387	28 9973 88038 0	4	Tl. pružina C6,3 × 45 × 11,5 TGL18395	001	001
38	83	9902890482	10 7062 06700 0	3	Kuličkové ložisko 6206 2RS	001	001
39	83	4223634146	28 4223 63414 0	4	Ložiskové pouzdro	001	001
40	83	9902890691	10 7062 09600 0	8	Kuličkové ložisko 6209 RS	001	001
41	83	9964917842	N		Pojistný kroužek 85 TGL0472	001	001
42	83	4223634170	28 4223 63417 0	1	Hřidel	001	001
43	83	9965956173	28 9965 95617 0	5	Hranolové péro A8 × 7 × 45 TGL9500	001	001
44	83	9965956212	28 9965 95621 0	9	Hranolové péro A8 × 7 × 56 TGL9500	001	001
45	83	9965919193	N		Podložka 14 × 55 × 3FON14510ST38U2	001	001
46	83	4223634074	28 4223 63407 0	3	Kotouč variatoru	001	001
47	83	4223634090	28 4223 63409 0	1	Regulační kotouč	001	001
48	83	4221622722	28 4221 62272 0	2	Čep	002	002
49	83	4223634058	28 4223 63405 0	5	Pevný kotouč	001	001
50	83	4223634195	28 4223 63419 0	9	Řetězové kolo	001	001
51	83	4223633731	28 4223 63373 0	4	Pouzdro	001	001
52	83	9965922211	N		Podložka 14 × 40 × 3 FON14510	001	001
53	83	9933931863	N		Šroub M12 × 25 TGL093388GZNC	001	001
54	83	9961911204	N		Pružná podložka B12 TGL7403GZN	003	003
55	83	N	N		Val. řetěz 10B-01-214TGL11796	001	001



TABULKA: 062

STROJ: 4 3 332

SKLÍZECÍ MLÁTIČKA

E-512

TABULKA: 062

Čís. poz.	Roč.	Katalogové číslo	Obchodní číslo zboží	KZ	Název zboží	Kusy 14'	Kusy 19'
1	83	4223632521	28 4223 63252 0	0	Nosič navijáku	001	000
1A	83	4224637621	28 4224 63762 0	1	Nosič navijáku	000	001
2	83	4223632595	28 4223 63259 0	3	Rameno ložiska	001	001
4	83	9930931054	N		Šroub M10 × 30 TGL0558GZNC	004	004
5	83	4223632964	28 4223 63296 0	8	Uhelník	001	001
6	83	4223632827	28 4223 63282 0	4	Závalčka	002	002
7	83	4223632915	28 4223 63291 0	3	Třmen	003	003
8	83	4223632892	28 4223 63289 0	7	Klín	003	003
9	83	4223648721	28 4223 64872 0	8	Trubkový hřídel	001	000
9A	83	4224649424	28 4224 64942 0	1	Trubkový hřídel	000	001
10	83	4223648754	28 4223 64875 0	5	Trubkový hřídel	001	000
10A	83	4224649457	28 4224 64945 0	8	Trubkový hřídel	000	001
11	83	4223648674	28 4223 64867 0	5	Skříň	001	001
12	83	4223648787	28 4223 64878 0	2	Lanový kotouč	002	002
13	83	4223648906	28 4223 64890 0	6	Posuvné pouzdro	001	001
14	83	4223648818	28 4223 64881 0	7	Provazový kladkostroj	002	002
15	83	4223648930	28 4223 64893 0	3	Ložisko	002	002
16	83	4223649031	28 4223 64903 0	0	Pouzdro	002	002
17	83	4223648842	28 4223 64884 0	4	Šnekové kolo	001	001
18	83	4223649007	28 4223 64900 0	3	Šnek	001	001
19	83	4223648988	28 4223 64898 0	8	Ložisková deska	001	001
20	83	4223648875	28 4223 64887 0	1	Pouzdro	002	002
21	83	4223648256	28 4223 64825 0	5	Trubkový hřídel	001	001
22	83	4228648276	28 4228 64827 0	3	Kloub spojky	001	001
23	83	9960962047	N		Podložka 10,5 TGL8328 GZNC	001	001
24	83	4223632868	28 4223 63286 0	0	Čep	000	002
24A	83	4223632843	28 4223 63284 0	2	Čep	002	000
25	83	4228648307	28 4228 64830 0	8	Pružinová zástrčka	001	001
26	83	9902888037	10 7505 11040 0	1	Válečkové ložisko 51104	002	002
27	83	9965956093	28 9965 95609 0	5	Hranolové péro A8 × 7 × 28 TGL9500	005	005
28	83	4223633321	28 4223 63332 0	3	Pouzdro	004	004
29	83	4223632851	28 4223 63285 0	1	Čep	002	002
30	83	9930930986	N		Šroub M10 × 25 TGL0558GZNC	002	002
31	83	9963949988	N		Závlačka 4 × 25 TGL094STGDC	002	002
32	83	9963950200	N		Závlačka 5 × 25 TGL094STGDC	003	003
33	83	9963950153	N		Závlačka 4 × 32 TGL094STGDC	002	002

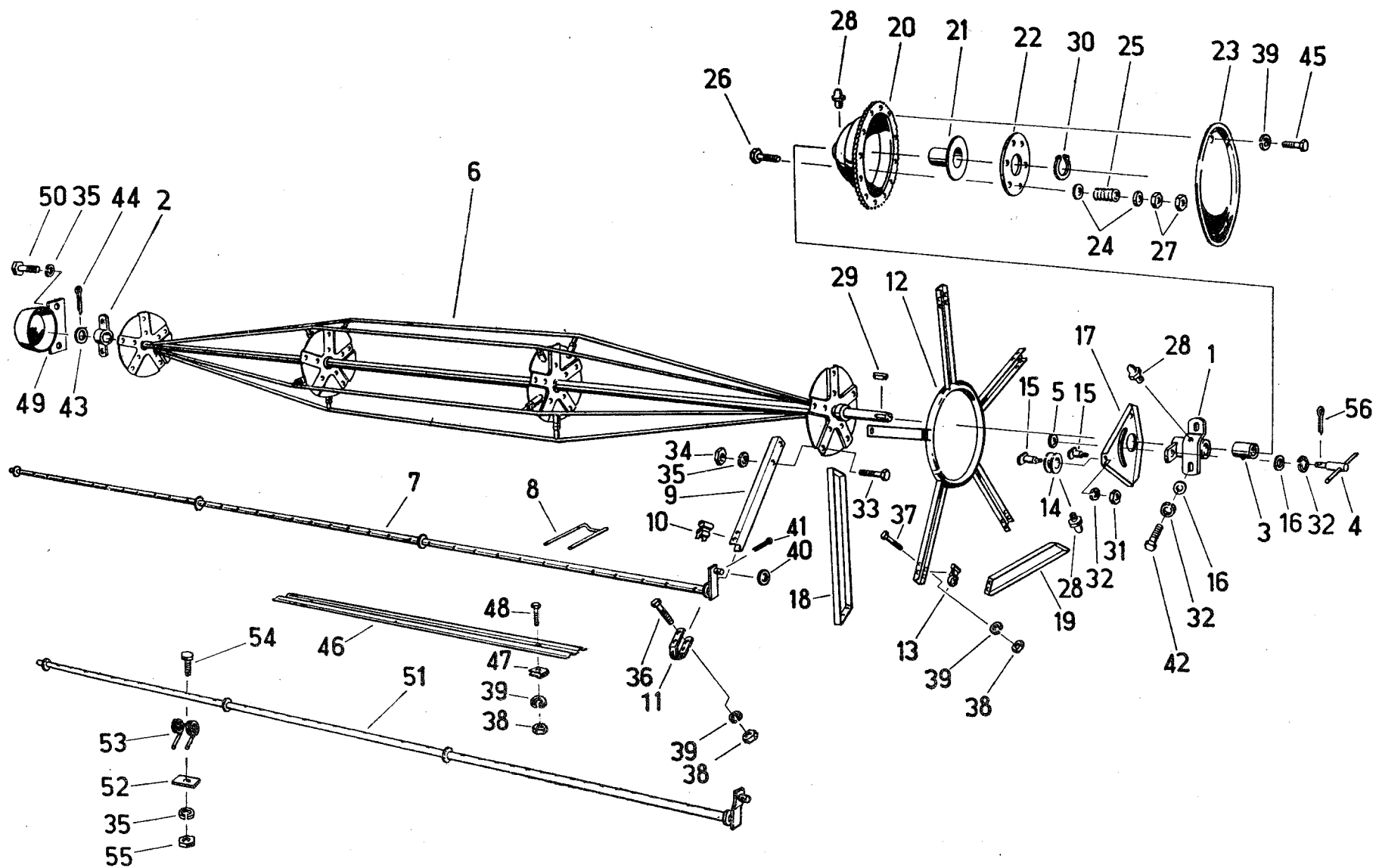
STROJ: 4 3 332

SKLÍZECÍ MLÁTIČKA

E-512

TABULKA: 062

Čís. poz.	Roč.	Katalogové číslo	Obchodní číslo zboží	KZ	Název zboží	Kusy 14'	Kusy 19'
34	83	9951894566	N		Kor. matice M16 TGL09356GZNC	002	002
35	83	9933930901	N		Šroub M10 × 20 TGL0558GZNC	004	004
36	83	9950896118	N		Matice M10 TGL09346GZN	016	016
37	83	9961911085	N		Pružná podložka B10 TGL7403GZN	007	007
38	83	9931930421	N		Šroub M8 × 55 TGL0601GZNC	002	002
39	83	9950895881	N		Matice M8 TGL09346GZNC	006	006
40	83	9961910976	N		Pružná podložka B8 TGL7403GZNC	006	006
41	83	9947940088	N		Závitový kolík M6 × 16 TGL0553	002	002
42	83	9947940352	N		Závitový kolík M10 × 20 TGL0553	002	002
43	83	9920925507	N		Kuželová maznička A8 TGL071412	004	004
44	83	4223634708	28 4223 63470 0	6	Kryt hasple	001	001
45	83	4223632956	28 4223 63295 0	9	Křídlatý šroub	002	002
46	83	9963949360	N		Závlačka 2 × 16 TGL094STGCD	002	002
47	83	9930930078	N		Šroub M8 × 25 TGL0558GZNC	004	004
48	83	9960922337	N		Podložka 17 TGL17774ST	004	004
49	83	9960919831	N		Podložka 8,4 TGL8328GZNC	002	002
50	83	9967940902	N		Kuž. ryh. kolík 8 × 40 TGL0147158	001	001



TABULKA: 063

STROJ: 4 3 332

SKLÍZECÍ MLÁTIČKA

E-512

TABULKA: 063

Čís. poz.	Roč.	Katalogové číslo	Obchodní číslo zboží	KZ	Název zboží	Kusy 14'	Kusy 19'
1	83	4223632650	28 4223 63265 0	5	Ložisko	001	001
2	83	4223632771	28 4223 63277 0	1	Ložisko	001	001
3	83	4223632683	28 4223 63268 0	2	Pouzdro	004	004
4	83	4223632835	28 4223 63283 0	3	Napínací šroub	001	001
5	83	4223632931	28 4223 63293 0	1	Drážková matice	001	001
6	83	4223632972	28 4223 63297 0	7	Hřídel hasple	001	000
6A	83	4224637662	28 4224 63766 0	7	Hřídel hasple	000	001
7	83	4223633016	28 4223 63301 0	0	Trubka hasple	005	000
7A	83	4224637718	28 4224 63771 0	0	Trubka hasple	000	005
8	83	4223633032	28 4223 63303 0	8	Pružný prst	090	120
9	83	4223633145	28 4223 63314 0	5	Špice kola	020	025
10	83	4223633098	28 4223 63309 0	2	Ložisková pánev	020	025
11	83	4223633120	28 4223 63312 0	7	Třmen	020	025
12	83	4223633057	28 4223 63305 0	6	Vedení výstředníku	001	001
13	83	4223633073	28 4223 63307 0	4	Ložisko výstředníku	005	005
14	83	4223633233	28 4223 63323 0	4	Kladka	003	003
15	83	4223633266	28 4223 63326 0	1	Čep	003	003
16	83	9960922031	N		Podložka 13 TGL8328GZNC	005	005
17	83	4223633200	28 4223 63320 0	7	Hvězda výstředníku	001	001
18	83	4223633161	28 4223 63316 0	3	Postranní plech	020	025
19	83	4223633186	28 4223 63318 0	1	Postranní plech	005	005
20	83	4223633313	28 4223 63331 0	4	Řetězové kolo 65Z	001	001
21	83	4223633346	28 4223 63334 0	1	Náboj	001	001
22	83	4223633401	28 4223 63340 0	3	Podložka	001	001
23	83	4223633418	28 4223 63341 0	2	Podložka	001	001
24	83	9975881683	28 9975 88168 0	3	Stavěcí pružina 41 × 11,5FON17801	012	012
25	83	9973879801	28 9973 87980 0	5	Tl. pružina A8 × 40 × 5,5 TGL18395	006	006
26	83	9932931534	N		Šroub M10 × 90 TGL093188GZNC	006	006
27	83	9950896126	N		Matice M10 TGL09348GZN	012	012
28	83	9920925507	N		Kuželová maznička A8 TGL071412	006	006
29	83	9965956487	28 9965 95648 0	8	Hranolové péro A10 × 8 × 63 TGL9500	001	001
30	83	9964917231	N		Pojistný kroužek 34 TGL0471	001	001
31	83	9950896392	N		Matice M12 TGL09348GZN	003	003
32	83	9961911204	N		Pružná podložka B12 TGL7403GZN	008	008
33	83	9933929860	N		Šroub M8 × 16 TGL093388GZNC	040	050
34	83	9950895881	N		Matice M8 TGL09346GZNC	040	050

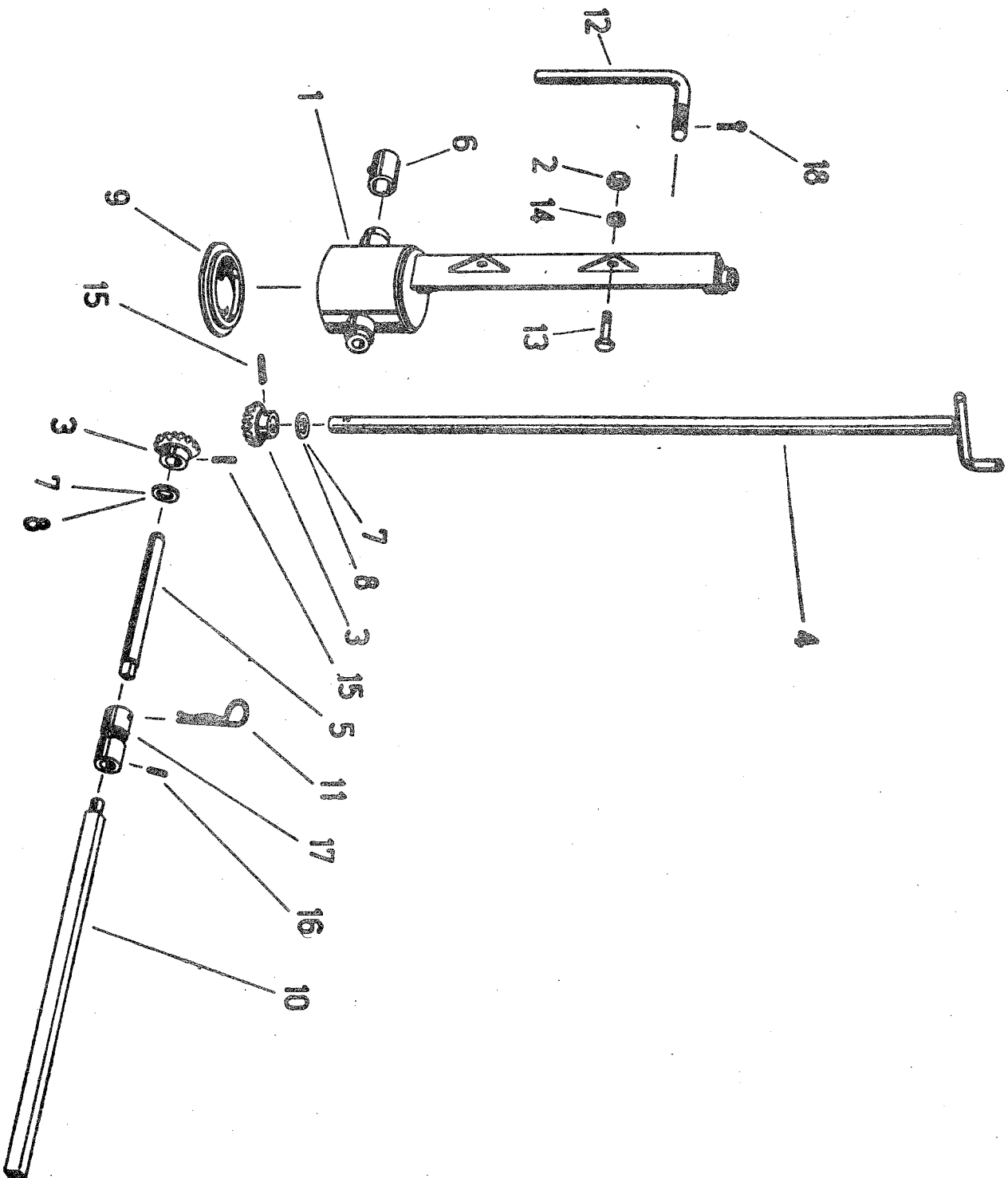
STROJ: 4 3 332

SKLÍZECÍ MLÁTIČKA

E-512

TABULKA: 063

Čís. poz.	Roč.	Katalogové číslo	Obchodní číslo zboží	KZ	Název zboží	Kusy 14'	Kusy 19'	
35	83	9961910976	N		Pružná podložka B8 TGL403GZNC	132	170	
36	83	9932958657	N		Šroub M6 × 70 TGL093188GZNC	040	050	
37	83	9932929515	N		Šroub M6 × 50 TGL0601GZNC	010	010	
38	83	9950895711	N		Maticice M6 TGL09346GZNC	095	120	
39	83	9961910847	N		Pružná podložka B6 TGL7403GZNC	099	124	
40	83	9960922337	N		Podložka 17 TGL17774ST	005	005	
41	83	9963949988	N		Závlačka 4 × 25 TGL094STGCDC	005	005	
42	83	9933931863	N		Šroub M12 × 25 TGL093388GZNC	004	004	
43	83	9965924334	N		Podložka 36 × 60 × 4 FON14510GZNC	003	003	
44	83	9963950797	N		Závlačka 8 × 50 TGL094STGCD	004	004	
45	83	9933929153	N		Šroub M6 × 8 TGL093388GZNC	004	004	
46	83	4223646615	28 4223 64661 0	3	Plech hasple	015	020	
47	83	4223646656	28 4223 64665 0	9	Spoma	045	060	
48	83	9933929313	N		Šroub M6 × 16 TGL093388GZNC	045	060	
51	83	4253124225	28 4253 12422 0	8	Trubka hasple	000	005	+
51A	83	4252123860	28 4252 12386 0	5	Trubka hasple	005	100	+
52	83	4229671522	28 4229 67152 0	1	Držák	090	120	+
53	83	4229671530	28 4229 67153 0	0	Pružní prst	090	120	+
54	83	9933930380	N		Šroub M8 × 45 TGL093388GZNC	090	120	+
55	83	9950895898	N		Maticice M8 TGL09348GZNC	090	120	+
56	83	9963949795	N		Závlačka 3,2 × 20 TGL094STGZN	001	001	



TABULKA: 064

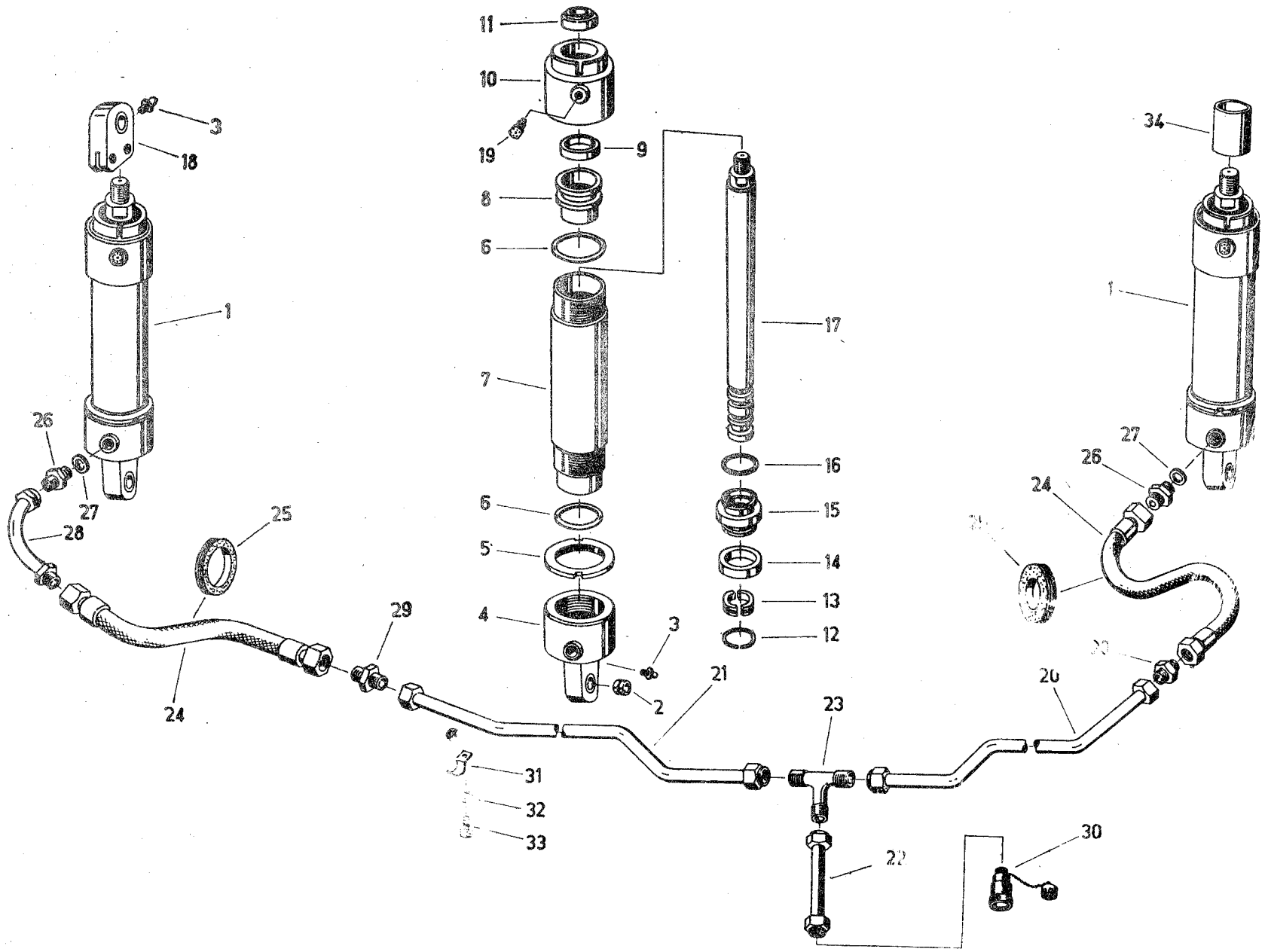
STROJ: 4 3 332

SKLÍZECÍ MLÁTIČKA

E-512

TABULKA: 064

Čís. poz.	Roč.	Katalogové číslo	Obchodní číslo zboží	KZ	Název zboží	Kusy	Provedení
1	83	4223648377	28 4223 64837 0	1	Skříň	001	
2	83	9950896118	N		Matice M10 TGL09346GZN	002	
3	83	4223648465	28 4223 64846 0	0	Kuželové kolo	002	
4	83	4223648473	28 4223 64847 0	9	Klika	001	
5	83	4223648545	28 4223 64854 0	0	Hřídel	001	
6	83	4223649031	28 4223 64903 0	0	Pouzdro	004	
7	83	9965920492	N		Lic. podložka 22 × 0,5 TGL22 × 0,5	000	
8	83	9965920548	N		Lic. podložka 22 × 1 TGL10404ST	000	
9	83	9904869065	28 9904 86906 0	2	Víko A100 TGL3317109	001	
10	83	4223648531	28 4223 64856 0	8	Hřídel čtyřhr. 469 mm délka	001	
11	83	4228648307	28 4228 64830 0	8	Pružinová zástrčka	002	
12	83	4223648617	28 4223 64861 0	1	Roubík	001	
13	83	9930930986	N		Šroub M10 × 25 TGL0558GZNC	002	
14	83	9961911085	N		Pružná podložka B10 TGL7403GZN	002	
15	83	9967940791	N		Kuž. ryh. kolík 6 × 40 TGL0147158	002	
16	83	9967940902	N		Kuž. ryh. kolík 8 × 40 TGL0147158	001	
17	83	4228648276	28 4228 64827 0	3	Kloub spojky	001	
18	83	9963949770	N		Závlačka 3,2 × 18 TGL094STGCDC	001	



TABULKA 65

TABULKA: 065

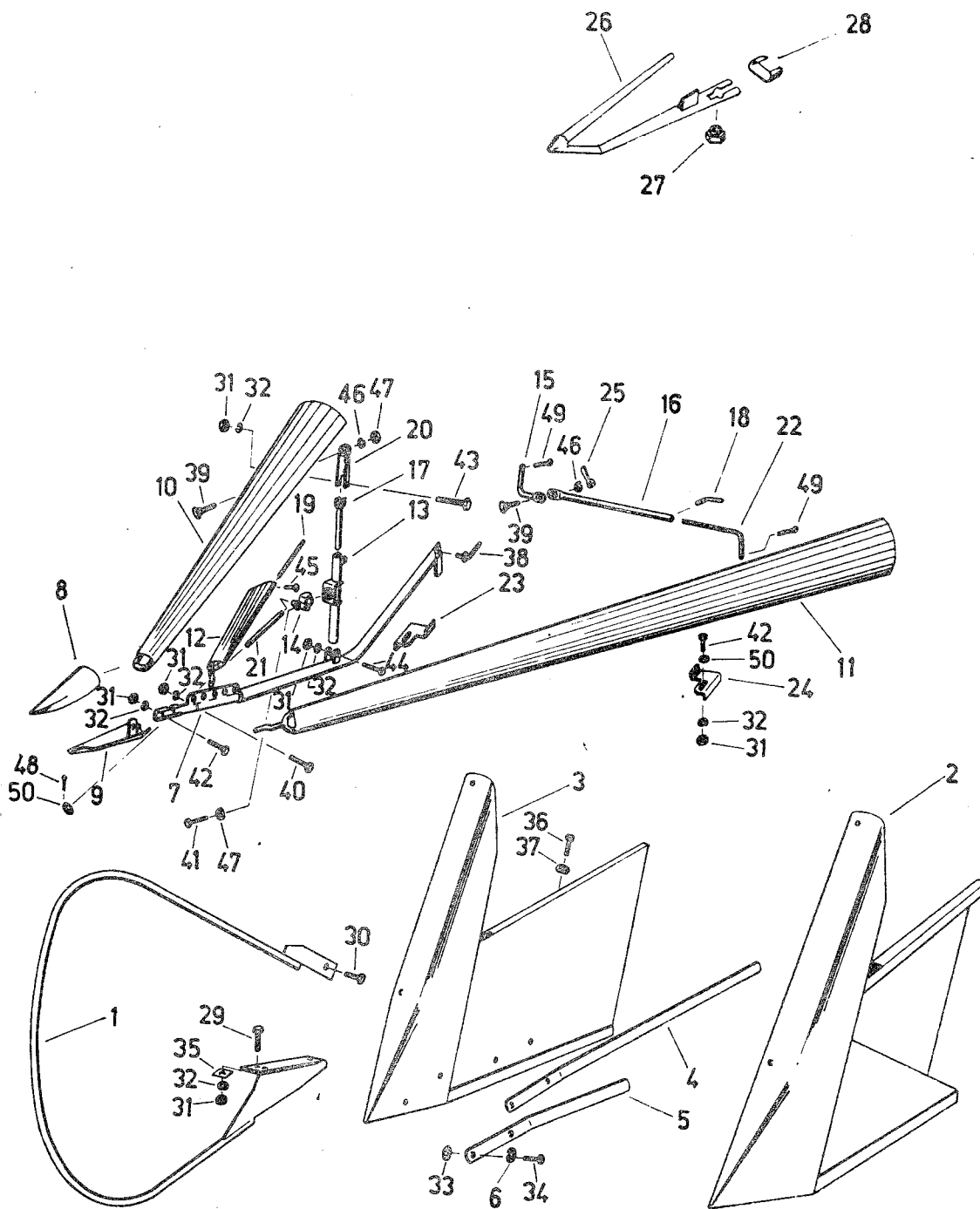
STROJ: 4 3 332

SKLÍZECÍ MLÁTIČKA

E-512

TABULKA: 065

Čís. poz.	Roč.	Katalogové číslo	Obchodní číslo zboží	KZ	Název zboží	Kusy 14'	Kusy 19'
1	83	1621 3119 9	N		Prac. válec B1-32/20 × 200TGL10906	000	002
1A	83	9912862171	28 9912 86217 0	9	Prac. válec B1-32 × 200/148TGL2155	002	000
2	83	9926868460	28 9926 86846 0	9	Pouzdro lož. 2F20/26 × 20WNS18	002	002
3	83	N	N		Tlaková maznička A6 TGL071412	004	004
4	83	4021165850	28 4021 16585 0	5	Ložiskové víko s ot. okem	002	002
5	83	4021165834	28 4021 16583 0	7	Dražková matice	002	002
6	83	9907913734	28 9907 91373 0	0	O-kroužek 36 × 2 TGL6365WS1019	004	004
7	83	4021165795	28 4021 16579 0	3	Trubka válec	002	002
8	83	4021165818	28 4021 16581 0	9	Vodící pouzdro	002	002
9	83	9910911800	28 9910 91180 0	6	Pístěný kroužek 10 × 32 × 18	002	002
10	83	4021165867	28 4021 16586 0	4	Skřín těsnění	002	002
11	83	9907907584	28 9907 90758 0	7	Stír. kroužek 20 TGL17570WS1009	002	002
12	83	9962918113	28 9962 91811 0	3	Pojistný kroužek 20 × 2TGL09045	002	002
13	83	4021165842	28 4021 16584 0	6	Polovina kroužku	004	004
14	83	N	N		Kroužek 32 TGL34483WS1957	002	002
15	83	4252131362	28 4252 13136 0	5	Píst	002	002
16	83	9907913252	28 9907 91325 0	8	O-kroužek 10 × 2 TGL6365-WS1019	002	002
17	83	4221166160	28 4221 16616 0	3	Pístní tyč	002	002
18	83	9912886218	28 9912 88621 0	5	Hlava píst. tyče A2-32/160	000	002
18A	83	9912886234	28 9912 88623 0	3	Hlava píst. tyče B2-32/160	002	000
19	83	4021165762	28 4021 16576 0	6	Vzduch. filtr 16 HRN 16460	002	002
20	83	4223633491	28 4223 63349 0	4	Vedení žlabu	001	000
20A	83	4224637791	28 4224 63779 0	2	Vedení žlabu	000	001
21	83	4223633450	28 4223 63345 0	8	Vedení žlabu	001	000
21A	83	4224637750	28 4224 63775 0	6	Vedení žlabu	000	001
22	83	4223633588	28 4223 63358 0	3	Spojovací kus	001	001
23	83	9969946754	28 9969 94675 0	9	Spoj. hrdlo L1208 TGL03908	001	001
24	83	9908951240	28 9908 95124 0	1	Hadice AA10 × 360 HFPS18110	002	002
25	83	4221657113	28 4221 65711 0	4	Gumová objímka K347JAK.1350	002	002
26	83	9969945368	28 9969 94536 0	7	Hrdlo L12M-01 TGL03901GZNC	002	002
27	83	9970908513	28 9970 90851 0	0	Těs. kroužek A16 × 20 TGL07603CU	002	002
28	83	4223633530	28 4223 63353 0	8	Trubkové koleno	001	001
29	83	9969946746	28 9969 94674 0	0	Spoj. hrdlo L12-02Y TGL03902	002	002
30	83	9909952378	28 9909 95237 0	3	Pul spojky A110/160 TGL10971	001	001
31	83	9923924817	N		Přípev. spona A12 TGL39709	006	006
32	83	9961910726	N		Pružná podložka B5 TGL7403GZNC	006	006
33	83	9930929027	N		Šroub M5 × 16 TGL0558GZNC	006	006



TABULKA: 066

STROJ: 4 3 332

SKLÍZEČÍ MLÁTIČKA

E-512

TABULKA: 066

Čís. poz.	Roč.	Katalogové číslo	Obchodní číslo zboží	KZ	Název zboží	Kusy 14'	Kusy 19'
1	83	4223646213	28 4223 64621 0	1	Třmen rozdělovače	002	002
2	83	4223646086	28 4223 64608 0	8	Hrot rozdělovače, vlevo	001	001
3	83	4223646141	28 4223 64614 0	0	Hrot rozdělovače, vpravo	001	001
4	83	4223646045	28 4223 64604 0	2	Odháněcí prut	002	002
5	83	4223646012	28 4223 64601 0	5	Odháněcí prut	002	002
6	83	9961910976	N		Pružná podložka B8 TGL7403GZNC	008	008
7	83	4223645413	28 4223 64541 0	8	Držení	002	002
8	83	4223645446	28 4223 64544 0	5	Hrot rozdělovače	002	002
9	83	4223645462	28 4223 64546 0	3	Smykadlo	002	002
10	83	4223645487	28 4223 64548 0	1	Hlavní rozdělovač	002	002
11	83	4223645518	28 4223 64551 0	6	Vnější rozdělovač	002	002
12	83	4223645550	28 4223 64555 0	2	Vnitřní rozdělovač	002	002
13	83	4223645583	28 4223 64558 0	9	Trubková vzpěra	002	002
14	83	4223645622	28 4223 64562 0	3	Stavěcí třmen	002	002
15	83	4223645663	28 4223 64566 0	9	Stavěcí hák	002	002
16	83	4223645688	28 4223 64568 0	7	Držák	002	002
17	83	4223645702	28 4223 64570 0	3	Vzpěra	002	002
18	83	4223645727	28 4223 64572 0	1	Klika	002	002
19	83	4223645735	28 4223 64573 0	0	Tyč	002	002
20	83	4223645743	28 4223 64574 0	9	Držák	002	002
21	83	4223645776	28 4223 64577 0	6	Hák	002	002
22	83	4223645807	28 4223 64580 0	1	Hák	002	002
23	83	4223645831	28 4223 64583 0	8	Stavěcí uhelník, vlevo	001	001
24	83	4223645848	28 4223 64584 0	7	Stavěcí uhelník, vpravo	001	001
25	83	9910883602	N		Kuželová rukojeť B16 TGL099	002	002
26	83	4223645181	28 4223 64518 0	7	Zvedač klásku	014	019
27	83	4223645116	28 4223 64511 0	4	Matice	014	019
28	83	4223645140	28 4223 64514 0	1	Držák	014	019
29	83	9933931027	N		Šroub M10 × 25 TGL093388GZNC	006	006
30	83	9933931180	N		Šroub M10 × 35 TGL093388GZNC	002	002
31	83	9950896118	N		Matice M10 TGL09346GZN	020	020
32	83	9961911085	N		Pružná podložka B10 TGL74036ZN	020	020
33	83	4223646061	28 4223 64606 0	0	Podložka	002	002
34	83	9938927678	N		Šroub s coc. hl. BM8 × 16 TGL08558	008	008
35	83	9965921846	N		Podložka 11 × 25 × 3 FON14510ST	004	004
36	83	9933931806	N		Šroub M12 × 20 TGL093388GZNC	004	004

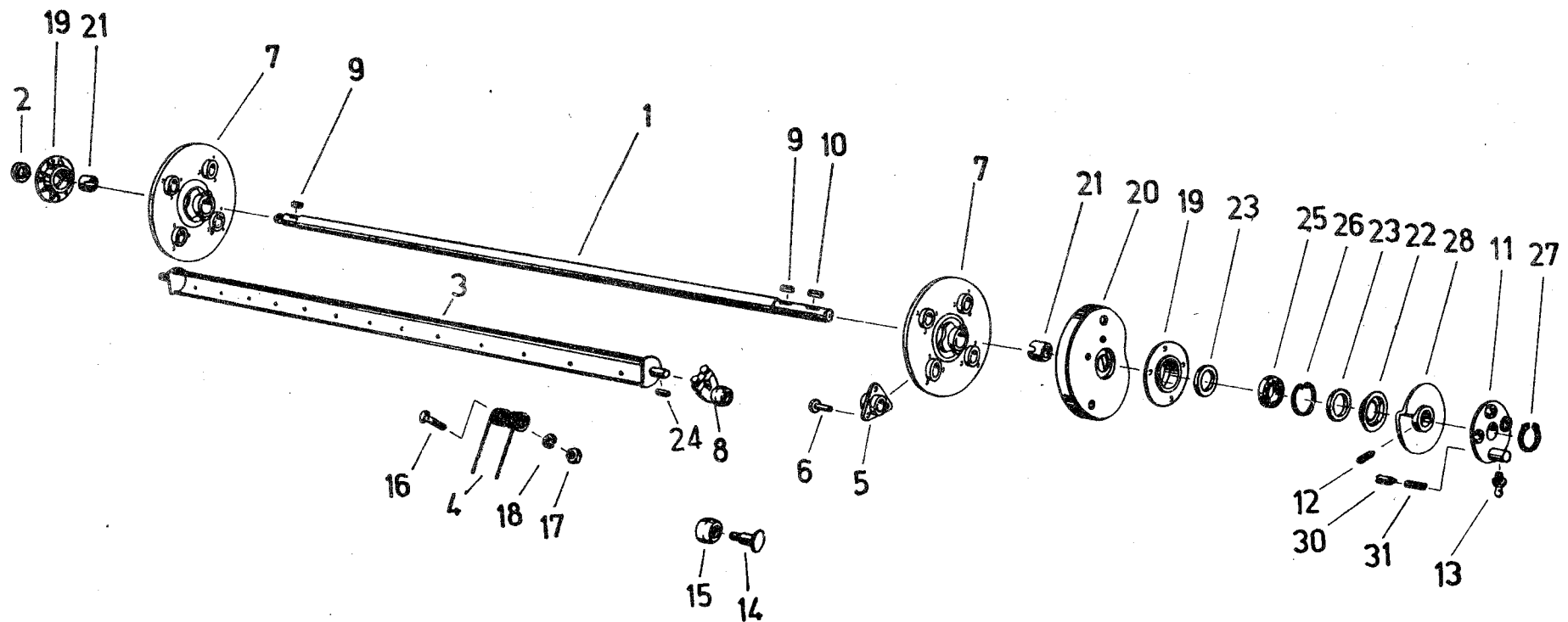
STROJ: 4 3 332

SKLÍZECÍ MLÁTIČKA

E-512

TABULKA: 066

Čís. poz.	Roč.	Katalogové číslo	Obchodní číslo zboží	KZ	Název zboží	Kusy 14'	Kusy 19'
37	83	9960922031	N		Podložka 13 TGL8328GZNC	008	008
38	83	4223645928	28 4223 64592 0	7	Závlačka	002	002
39	83	9945926524	N		Šroub M12 × 50 TGL0603	006	006
40	83	9933931365	N		Šroub M10 × 50 TGL93388GZN	002	002
41	83	9933931863	N		Šroub M12 × 25 TGL093388GZNC	002	002
42	83	9933931123	N		Šroub M10 × 30 TGL093388GZNC	006	006
43	83	9932932760	N		Šroub M10 × 45 TGL093188GZNC	002	002
44	83	9932958786	N		Šroub M10 × 55 TGL093188GZN	002	002
45	83	9933929860	N		Šroub M8 × 16 TGL093388GZNC	002	002
46	83	9961911204	N		Pružná podložka B12 TGL7403GZN	006	006
47	83	9950896503	N		Matice M12 TGL09346GZNC	004	004
48	83	9963949996	N		Závlačka 4 × 25 TGL094 STGZNC	004	004
49	83	9963950321	N		Závlačka 5 × 40 TGL094STGZNC	008	008
50	83	9960962047	N		Podložka 10,5 TGL8328GZNC	002	002



TABULKA 67

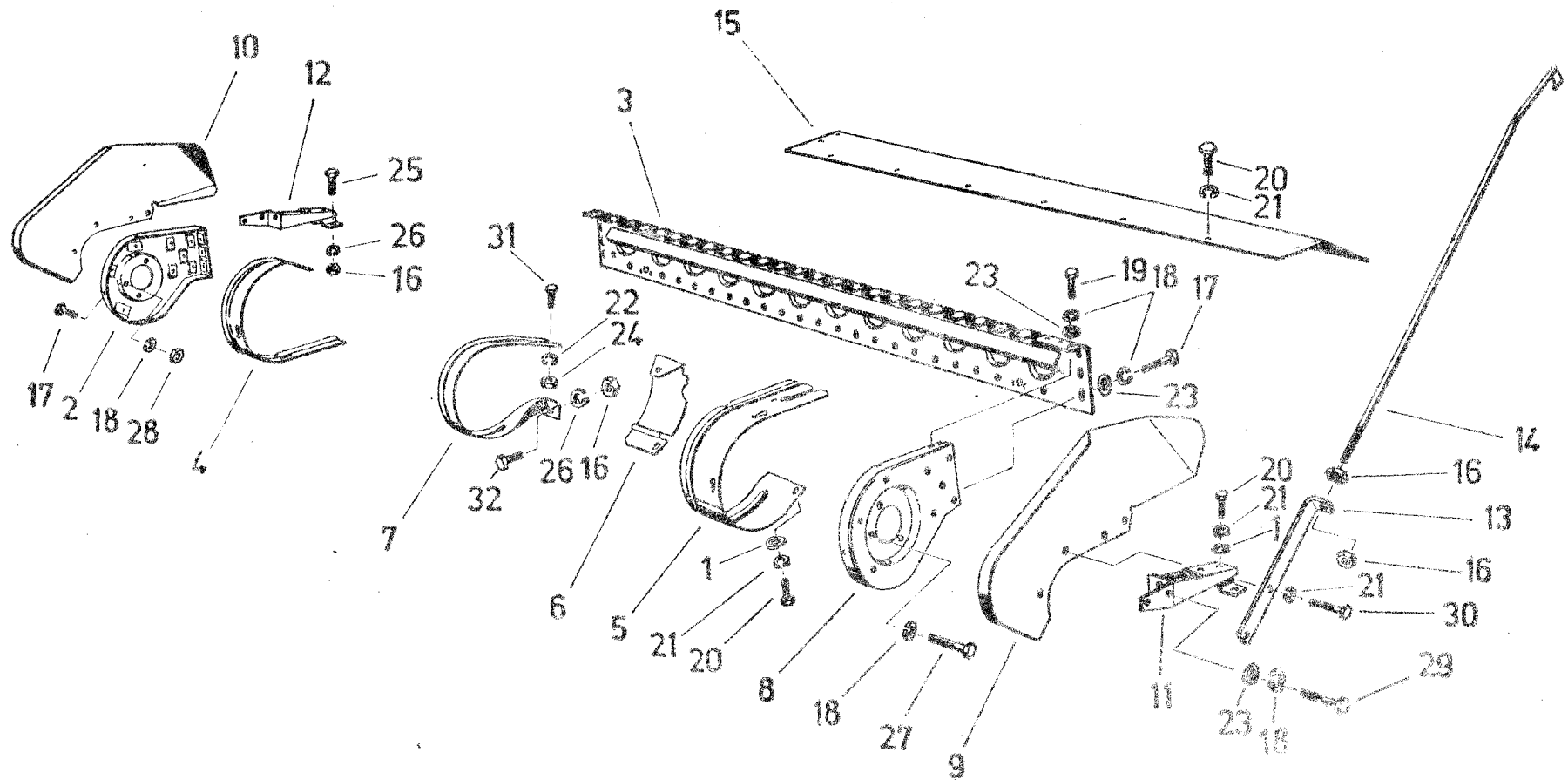
STROJ: 4 3 332

SKLÍZECÍ MLÁTIČKA

E-512

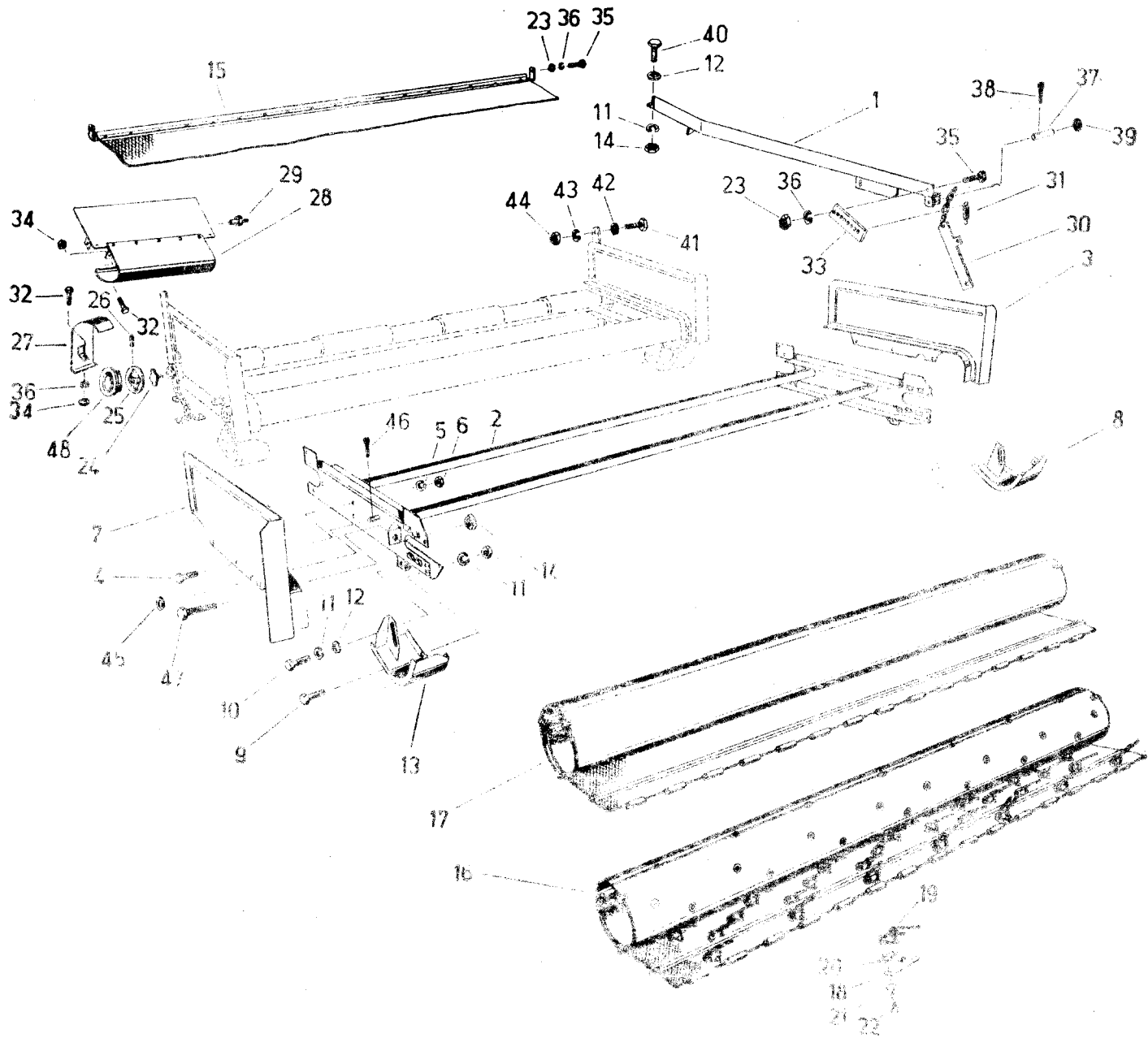
TABULKA: 067

Čís. poz.	Roč.	Katalogové číslo	Obchodní číslo zboží	KZ	Název zboží	Kusy	Provedení
1	83	4228641856	28 4228 64185 0	0	Hlavní hřídel	001	
2	83	9905870105	28 9905 87010 0	1	Gufero D30 × 62 × 7	001	
3	83	4228642455	28 4228 64245 0	7	Nosič prstu	048	
4	83	4806493441	28 4806 49344 0	3	Pružný prst	008	
5	83	4806493394	28 4806 49339 0	0	Přírubové ložisko	024	
6	83	N	N		Nýt s pl. hl. 5 × 12 TGL0674MU	024	
7	83	4806493400	28 4806 49340 0	7	Ozubené ložisko	002	
8	83	4806493706	28 4806 49370 0	1	Vodící páka	004	
9	83	9965956438	28 9965 95643 0	3	Hranolové péro A10 × 8 × 40TGL9500	002	
10	83	9965956124	28 9965 95612 0	0	Hranolové péro A8 × 7 × 32 TGL9500	001	
11	83	9965922910	N		Podložka 30 × 40 × 1,5 FON14510	001	
12	83	9947940207	N		Závitový kolík M8 × 14 TGL055358	001	
13	83	9920925507	N		Kuželová maznička A8 TGL071412	001	
14	83	4806493466	28 4806 49346 0	1	Čep	004	
15	83	4806493474	28 4806 49347 0	0	Kladka	004	
16	83	9933930942	N		Šrouv M10 × 20 TGL093388GZNC	048	
17	83	9950896118	N		Matice M10 TGL09346GZN	048	
18	83	9961911085	N		Pružná podložka B10 TGL7403GZN	048	
19	83	4806493361	28 4806 49336 0	3	Skříň ložiska	002	
20	83	4806493482	28 4806 49348 0	9	Vodící křivka	001	
21	83	4806493505	28 4806 49350 0	5	Pouzdro	002	
22	83	9904868980	28 9904 86898 0	3	Víko A62 × 45 TGL 33-17109	001	
23	83	9905870757	10 5004 00527 0	0	Gufero D40 × 52 × 7	003	
24	83	9965955910	28 9965 95591 0	6	Hranolové péro A6 × 6 × 20 TGL9500	004	
25	83	9902890722	10 7062 06000 0	0	Kuličkové ložisko 6206 C4	002	
26	83	9964917818	N		Pojistný kroužek 62 TGL0472	002	
27	83	9964917215	N		Pojistný kroužek 30 TGL0471	002	
28	83	4228642020	28 4228 64202 0	8	Unašeč	001	
29	83	4228642061	28 4228 64206 0	4	Unašeč	001	
30	83	4304229301	28 4304 22930 0	3	Čep	001	
31	83	4221658870	28 4221 65887 0	3	Tlačná pružina	001	



TABULKA 68

Čís. poz.	Roč.	Katalogové číslo	Ohební číslo zboží	KZ	Název zboží	Kusy	Provedení
1	83	9960919831	N		Podložka 8,4 TGL8328GZNC	012	
2	83	4806493386	28 4806 49338 0	1	Postranice	001	
3	83	4228642004	28 4228 64200 0	0	Hlavní nosič	001	
4	83	4806493771	28 4806 49377 0	4	Krycí plech, vpravo	001	
5	83	4806493788	28 4806 49378 0	3	Krycí plech, vlevo	001	
6	83	4806493667	28 4806 49366 0	7	Kryt	001	
7	83	4806493595	28 4806 49359 0	6	Sběrač	023	
8	83	4806493378	28 4806 49337 0	2	Postranice	001	
9	83	4228641688	28 4228 64168 0	1	Postranní stěna	001	
10	83	4228641727	28 4228 64172 0	5	Postranní stěna	001	
11	83	4228641622	28 4228 64162 0	7	Naváděcí rameno	001	
12	83	4228641606	28 4228 64160 0	9	Naváděcí rameno	001	
13	83	4228641751	28 4228 64175 0	2	Uhelník	002	
14	83	4228641754	28 4228 64178 0	9	Tažná spojnice	001	
15	83	4228641647	28 4228 64164 0	5	Náhlavové dno	001	
16	83	9960936903	N		Matice M12 TGL09346GZNC	031	
17	83	9960931027	N		Šroub M10 x 25 TGL093388GZNC	009	
18	83	9960911085	N		Pružná podložka D10 TGL7403GZNC	017	
19	83	9960930871	N		Šroub M10 x 16 TGL093388GZNC	001	
20	83	9960929860	N		Šroub M8 x 16 TGL093388GZNC	012	
21	83	9960910976	N		Pružná podložka B8 TGL7403GZNC	016	
22	83	9960910847	N		Pružná podložka B6 TGL7403GZNC	046	
23	83	9960932047	N		Podložka 10,5 TGL8328GZNC	014	
24	83	9960935711	N		Matice M6 TGL09346GZNC	046	
25	83	9960931910	N		Šroub M12 x 30 TGL093388GZNC	004	
26	83	9960911204	N		Pružná podložka B12 TGL7403GZNC	027	
27	83	9960931308	N		Šroub M10 x 45 TGL093388GZNC	003	
28	83	9960936118	N		Matice M10 TGL09346GZNC	003	
29	83	9960930942	N		Šroub M10 x 20 TGL093388GZNC	004	
30	83	9960924973	N		Šroub M8 x 25 TGL093388GZNC	004	
31	83	9960923313	N		Šroub M6 x 16 TGL093388GZNC	046	
32	83	9960931853	N		Šroub M12 x 25 TGL093388GZNC	023	



TABULKA: 069

STROJ: 4 3 332

SKLÍZECÍ MLÁTIČKA

E-512

TABULKA: 069

Čís. poz.	Roč.	Katalogové číslo	Obchodní číslo zboží	KZ	Název zboží	Kusy	Provedení
1	83	4228646998	28 4228 64699 0	9	Zavěšení	002	A1
1A	83	4228646998	28 4228 64699 0	9	Zavěšení	004	A2
1B	83	4228646998	28 4228 64699 0	9	Zavěšení	004	A3
2	83	4228660801	28 4228 66080 0	2	Rám	001	A1, A2, A3
3	83	4228661601	28 4228 66160 0	5	Postranní stěna	001	A1
3A	83	4228661601	28 4228 66160 0	5	Postranní stěna	002	A2
3B	83	4228661601	28 4228 66160 0	5	Postranní stěna	002	A3
4	83	9933929313	N		Šroub M6 × 16 TGL093388GZNC	012	A1
4A	83	9933929313	N		Šroub M6 × 16 TGL093388GZNC	024	A2
4B	83	9933929313	N		Šroub M6 × 16 TGL093388GZNC	024	A3
5	83	9961910847	N		Pružná podložka B6 TGL7403GZNC	012	A1
5A	83	9961910847	N		Pružná podložka B6 TGL7403GZNC	024	A2
5B	83	9961910847	N		Pružná podložka B6 TGL7403GZNC	024	A3
6	83	9950895711	N		Maticе M6 TGL09346GZN	012	A1
6A	83	9950895711	N		Maticе M6 TGL09346GZN	024	A2
6B	83	9950895711	N		Maticе M6 TGL09346GZN	024	A3
7	83	4228661634	28 4228 66163 0	2	Postranní stěna	001	A1
7A	83	4228661634	28 4228 66163 0	2	Postranní stěna	002	A2
7B	83	4228661634	28 4228 66163 0	2	Postranní stěna	002	A3
8	83	4228661667	28 4228 66166 0	9	Kluzná patka	001	A1
8A	83	4228661667	28 4228 66166 0	9	Kluzná patka	002	A2
8B	83	4228661667	28 4228 66166 0	9	Kluzná patka	002	A3
9	83	9933931180	N		Šroub M10 × 35 TGL093388GZNC	002	A1
9A	83	9933931180	N		Šroub M10 × 35 TGL093388GZNC	004	A2
9B	83	9933931180	N		Šroub M10 × 35 TGL093388GZNC	004	A3
10	83	9933930942	N		Šroub M10 × 20 TGL093388GZNC	002	A1
10A	83	9933930942	N		Šroub M10 × 20 TGL093388GZNC	004	A2
10B	83	9933930942	N		Šroub M10 × 20 TGL093388GZNC	004	A3
11	83	9961911085	N		Pružná podložka B10 TGL7403GZNC	006	A1
11A	83	9961911085	N		Pružná podložka B10 TGL7403GZNC	012	A2
11B	83	9961911085	N		Pružná podložka B10 TGL7403GZNC	012	A3
12	83	9960962047	N		Podložka 10,5 TGL8328STGZNC	004	A1
12A	83	9960962047	N		Podložka 10,5 TGL8328GZNC	008	A2
12B	83	9960962047	N		Podložka 10,5 TGL8328GZNC	008	A3
13	83	4228661706	28 4228 66170 0	3	Kluzná patka	001	A1
13A	83	4228661706	28 4228 66170 0	3	Kluzná patka	002	A2
13B	83	4228661706	28 4228 66170 0	3	Kluzná patka	002	A3

STROJ: 4 3 332

SKLÍZECÍ MLÁTIČKA

E-512

TABULKA: 069

Čís. poz.	Roč.	Katalogové číslo	Obchodní číslo zboží	KZ	Název zboží	Kusy	Provedení
14	83	9950896118	N		Matice M10 TGL09346GZN	006	A1
14A	83	9950896118	N		Matice M10 TGL09346GZN	012	A2
14B	83	9950896118	N		Matice M10 TGL09346GZN	012	A3
15	83	4228659824	28 4228 65982 0	3	Sběrací lišta	001	A1
15A	83	4228659824	28 4228 65982 0	3	Sběrací lišta	002	A2
15B	83	4228659824	28 4228 65982 0	3	Sběrací lišta	002	A3
16	83	4228662200	28 4228 66220 0	2	Plátno s prsty	001	A1
16A	83	4228662200	28 4228 66220 0	2	Plátno s prsty	002	A2
16B	83	4228662200	28 4228 66220 0	2	Plátno s prsty	002	A3
17	83	4228662266	28 4228 66226 0	6	Plátno s lištami	001	A1
17A	83	4228662266	28 4228 66226 0	6	Plátno s lištami	002	A2
17B	83	4228662266	28 4228 66226 0	6	Plátno s lištami	002	A3
18	83	4228662305	28 4228 66230 0	0	Úhelník	133	A1
18A	83	4228662305	28 4228 66230 0	0	Úhelník	266	A2
18B	83	4228662305	28 4228 66230 0	0	Úhelník	266	A3
19	83	4228662387	28 4228 66238 0	2	Prsty sběrače	133	A1
19A	83	4228662387	28 4228 66238 0	2	Prsty sběrače	266	A2
19B	83	4228662387	28 4228 66238 0	2	Prsty sběrače	266	A3
20	83	4228662395	28 4228 66239 0	1	Držák prstu	266	A1
20A	83	4228662395	28 4228 66239 0	1	Držák prstu	532	A2
20B	83	4228662395	28 4228 66239 0	1	Držák prstu	532	A3
21	83	4228662401	28 4228 66240 0	8	Podložka	266	A1
21A	83	4228662401	28 4228 66240 0	8	Podložka	532	A2
21B	83	4228662401	28 4228 66240 0	8	Podložka	532	A3
22	83	9971901434	N		Nýt s zap. hl. 6 × 16 TGL0661AL	266	A1
22A	83	9971901434	N		Nýt s zap. hl. 6 × 16 TGL0661AL	266	A2
22B	83	9971901434	N		Nýt s zap. hl. 6 × 16 TGL0661AL	532	A3
23	83	9950895881	N		Matice M8 TGL09346GZN	004	A1
23A	83	9950895881	N		Matice M8 TGL09346GZN	004	A2
23B	83	9950895881	N		Matice M8 TGL09346GZN	008	A3
24	83	4228647306	28 4228 64730 0	9	Unaseč	001	A2
25	83	4228647355	28 4228 64735 0	4	Kotouč unaseče	001	A2
26	83	9967943786	N		Val. ryh. kolík 10 × 36 TGL0147358	001	A2
27	83	4228647322	28 4228 64732 0	7	Kryt	001	A2
28	83	4228647603	28 4228 64760 0	3	Kryt	001	A1
29	83	4228647628	28 4228 64762 0	1	Čep	001	A3
30	83	4228646973	28 4228 64697 0	1	Vzpěra	002	A1

STROJ: 4 3 332

SKLÍZEČÍ MLÁTIČKA

E-512

TABULKA: 069

Čís. poz.	Roč.	Katalogové číslo	Obchodní číslo zboží	KZ	Název zboží	Kusy	Provedení
30A	83	4228646973	28 4228 64697 0	1	Vzpěra	004	A2
30B	83	4228646973	28 4228 64697 0	1	Vzpěra	004	A3
31	83	9974881153	28 9974 88115 0	8	Taž. pružina B4,5 × 32 × 40BA-M	002	A1
31A	83	9974881153	28 9974 88115 0	8	Taž. pružina B4,5 × 32 × 40BA-M	004	A2
31B	83	9974881153	28 9974 88115 0	8	Taž. pružina B4,5 × 32 × 40BA-M	004	A3
32	83	9933929860	N		Šroub M8 × 16 TGL093388GZNC	000	A2
33	83	517525047	N		Přestavný plech	002	A1
33A	83	517525047	N		Přestavný plech	004	A2
33B	83	517525047	N		Přestavný plech	004	A3
34	83	9960919831	N		Podložka 8,4 TGL8328GZNC	001	A2
34A	83	9960919831	N		Podložka 8,4 TGL8328GZNC	002	A3
35	83	9933929973	N		Šroub M8 × 25 TGL093388GZNC	004	A1
35A	83	9933929973	N		Šroub M8 × 26 TGL093388GZNC	009	A2
35B	83	9933929973	N		Šroub M8 × 25 TGL093388GZNC	010	A3
36	83	9961910976	N		Pružná podložka B8 TGL7403GZNC	004	A1
36A	83	9961910976	N		Pružná podložka B8 TGL7403GZNC	009	A2
36B	83	9961910976	N		Pružná podložka B8 TGL7403GZNC	010	A3
37	83	9949863634	28 9949 86363 0	5	Čep 10 × 50 × 40 TGL01433	002	A1
37A	83	9949863634	28 9949 86363 0	5	Čep 10 × 50 × 40 TGL01433	004	A2
37B	83	9949863634	28 9949 86363 0	5	Čep 10 × 50 × 40 TGL01433	004	A3
38	83	9963949762	N		Závlačka 3,2 × 16 TGL094STGCD	004	A1
38A	83	9963949762	N		Závlačka 3,2 × 16 TGL094STGCD	008	A2
38B	83	9963949762	N		Závlačka 3,2 × 16 TGL094STGCD	008	A3
39	83	9960921787	N		Podložka 10,5 TGL17774GZNC	004	A1
39A	83	9960921787	N		Podložka 10,5 TGL17774GZNC	008	A2
39B	83	9960921787	N		Podložka 10,5 TGL17774GZNC	008	A3
40	83	9933931027	N		Šroub M10 × 25 TGL093388GZNC	002	A1
40A	83	9933931027	N		Šroub M10 × 25 TGL093388GZNC	004	A2
40B	83	9933931027	N		Šroub M10 × 25 TGL093388GZNC	004	A3
41	83	9933932028	N		Šroub M12 × 35 TGL093388GZNC	002	A1
41A	83	9933932028	N		Šroub M12 × 35 TGL093388GZNC	004	A2
41B	83	9933932028	N		Šroub M12 × 35 TGL093388GZNC	004	A3
42	83	9961921681	N		Podložka 13 TGL17774STGZNC	004	A1
42A	83	9961921681	N		Podložka 13 TGL17774STGZNC	008	A2
42B	83	9961921681	N		Podložka 13 TGL17774STGZNC	008	A3
43	83	9961911204	N		Pružná podložka B12 TGL7403GZNC	002	A1
43A	83	9961911204	N		Pružná podložka B12 TGL7403GZNC	004	A2

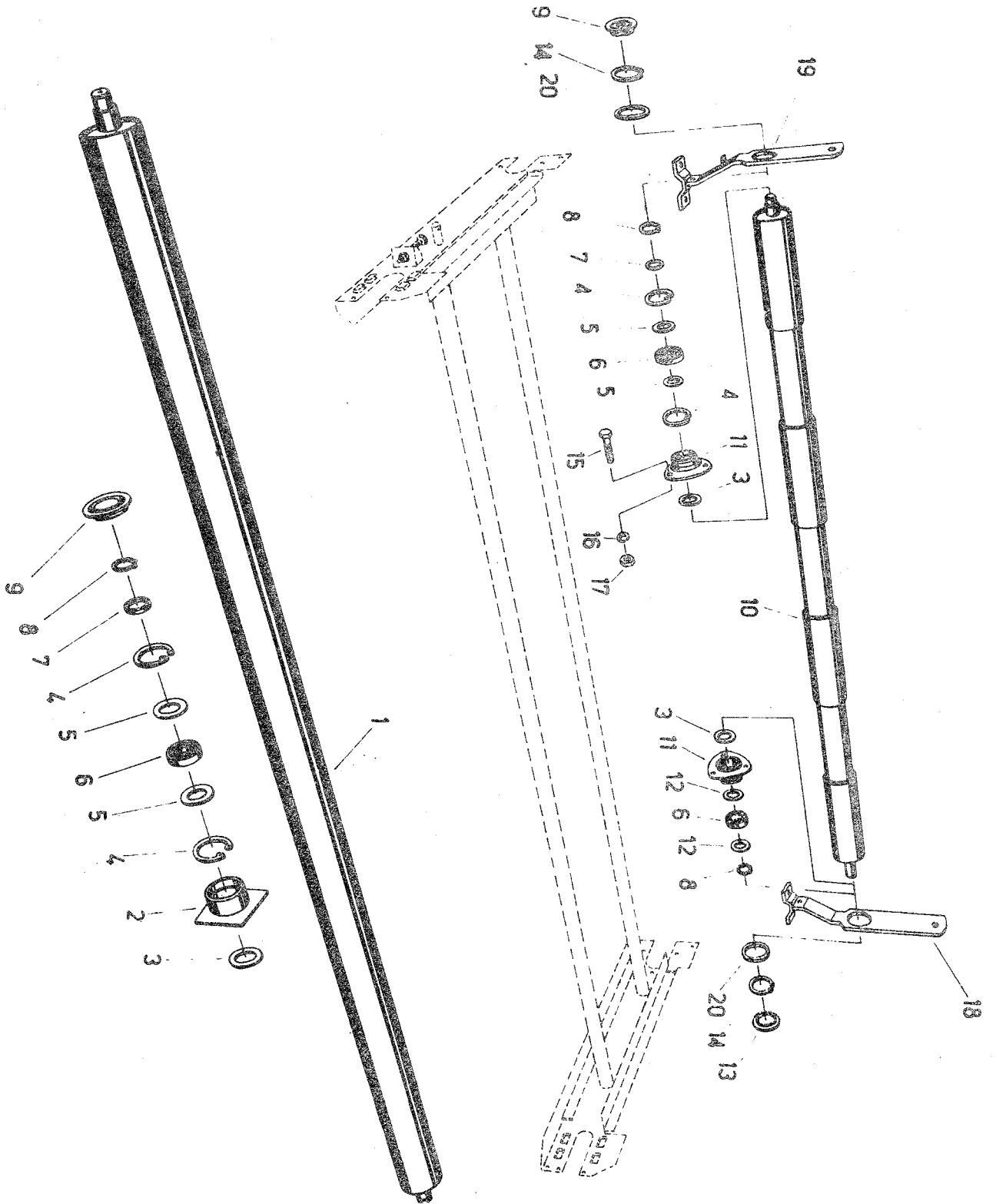
STROJ: 4 3 332

SKLÍZEČÍ MLÁTIČKA

E-512

TABULKA: 069

Čís. poz.	Roč.	Katalogové číslo	Obchodní číslo zboží	KZ	Název zboží	Kusy	Provedení
43B	83	9961911204	N		Pružná podložka B12 TGL7403GZN	004	A3
44	83	9950896503	N		Matice M12 TGL09346GZNC	002	A1
44A	83	9950896503	N		Matice M12 TGL09346GZNC	004	A2
44B	83	9950896503	N		Matice M12 TGL09346GZNC	004	A3
45	83	9960922353	N		Podložka 17 TGL17774GZNC	002	A1
45A	83	9960922353	N		Podložka 17 TGL17774GZNC	002	A2
45B	83	9960922353	N		Podložka 17 TGL17774GZNC	004	A3
46	83	9963949996	N		Závlačka 4 × 25 TGL094STGZNC	002	A1
46A	83	9963949996	N		Závlačka 4 × 25 TGL094STGZNC	004	A2
46B	83	9963949996	N		Závlačka 4 × 25 TGL094STGZNC	004	A3
47	83	9933959905	N		Šroub M10 × 80 TGL093388GZNC	002	A1
47A	83	9933959905	N		Šroub M10 × 80 TGL093388GZNC	004	A2
47B	83	9933959905	N		Šroub M10 × 80 TGL093388GZNC	004	A3
48	83	9904868964	28 9904 86896 0	5	Víko A 52 × 35 TGL3317109	001	A3



TABULKA: 070

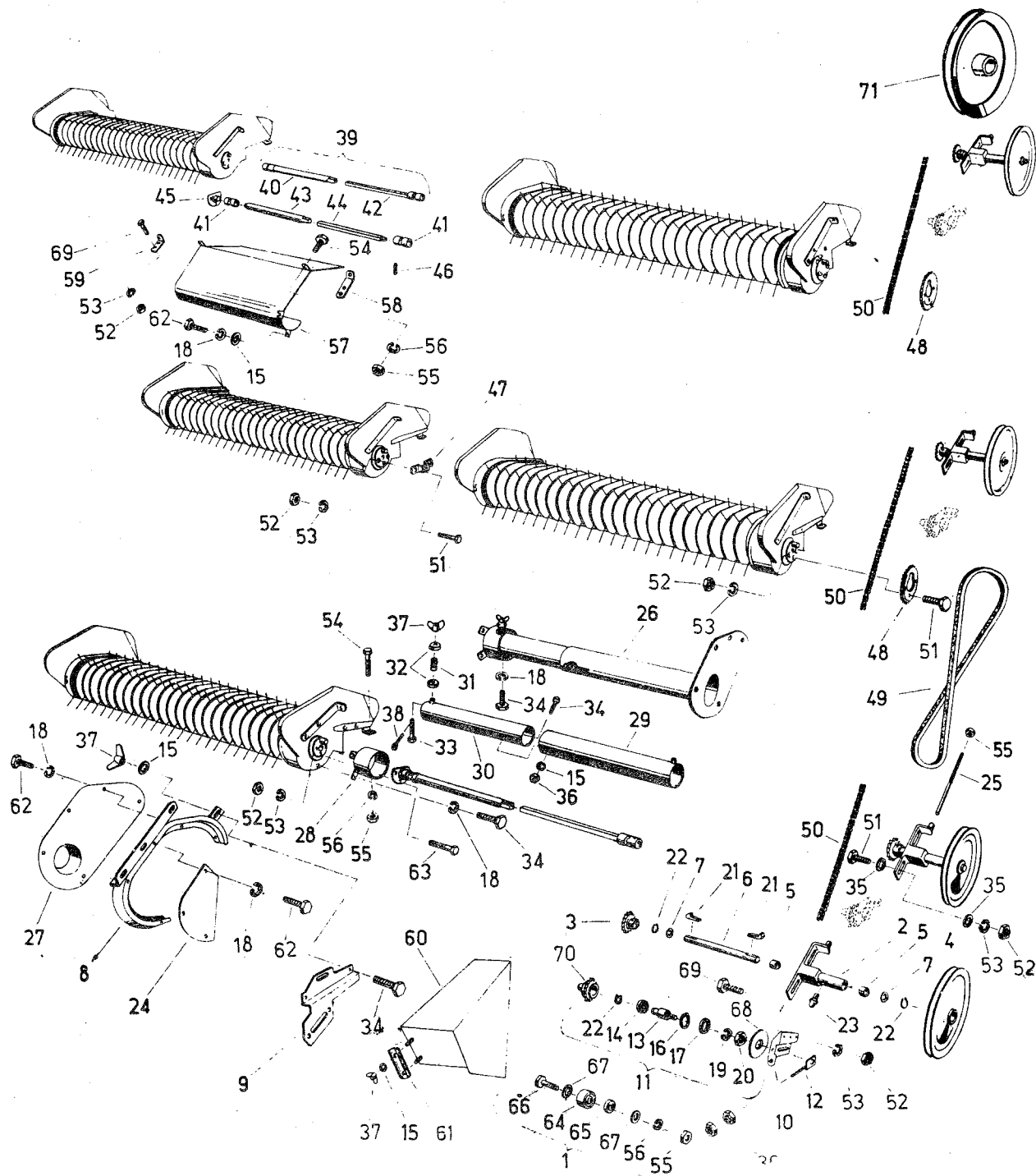
STROJ: 4 3 332

SKLÍZECÍ MLÁTIČKA

E-512

TABULKA: 070

Čís. poz.	Roč.	Katalogové číslo	Obchodní číslo zboží	KZ	Název zboží	Kusy	Provedení
1	83	4228660955	28 4228 66095 0	5	Přední válec s plátnem	001	
2	83	4228661007	28 4228 66100 0	7	Skříň ložiska	002	
3	83	4228661103	28 4228 66110 0	5	Podložka	004	
4	83	9964917787	N		Pojistný kroužek 52 TGL0472	006	
5	83	4221624162	28 4221 62416 0	8	Těsnící podložka	006	
6	83	9902889431	10 7101 20500 0	1	Kuličkové ložisko 1205	004	
7	83	4228661128	28 4228 66112 0	3	Rozpěrný kroužek	003	
8	83	9964917674	N		Pojistný kroužek 25 TGL0472	004	
9	83	9904868956	28 9904 86895 0	6	Víko A52 TGL33-17109	003	
10	83	4228661257	28 4228 66125 0	8	Zadní válec s plátnem	001	
11	83	4228661312	28 4228 66131 0	0	Skříň ložiska	002	
12	83	4110088233	28 4110 08823 0	4	Těsnící podložka	001	
13	83	9904868964	28 9904 86896 0	5	Víko A52 × 35 TGL33-17109	001	
14	83	9964917801	N		Pojistný kroužek 60 TGL0472	002	
15	83	9932930871	N		Šroub M10 × 16 TGL093388GZNC	006	
16	83	9961911085	N		Pružná podložka B10 TGL7403GZN	006	
17	83	9950896118	N		Matice M10 TGL09346GZN	006	
18	83	4223647415	28 4223 64741 0	6	Kozlík ložiska	001	
19	83	4223647431	28 4223 64743 0	4	Kozlík ložiska	001	
20	83	4228661513	28 4228 66151 0	6	Podložka	002	



TABULKA: 071

STROJ: 4 3 332

SKLÍZECÍ MLÁTIČKA

E-512

TABULKA: 071

Čís. poz.	Roč.	Katalogové číslo	Obchodní číslo zboží	KZ	Název zboží	Kusy	Provedení
1	83	4228640742	28 4228 64074 0	4	Napínač řetězu	001	B1
2	83	4228640500	28 4228 64050 0	2	Uložení	001	A1A2A3B1B2B3
3	83	4228640533	28 4228 64053 0	9	Řetězové kolo 15Z	001	A1A2A3
3A	83	4228640574	28 4228 64057 0	5	Výměn. řetězové kolo 34Z	001	B1B2B3
4	83	9919885436	28 9919 88543 0	6	Klínová řemenice C1-315 × 22 × 25	001	A1A2A3B1B2B3
5	83	9926868050	28 9926 86805 0	8	Pouzdro H25/32 × 22EW. TGL6558HGW	002	A1A2A3B1B2B3
6	83	4228640605	28 4228 64060 0	0	Hřídel	001	A1A2A3B1B2B3
7	83	9965922845	N		Podložka 26 × 36 × 1,5 FON14510ST	002	A1A2A3B1B2B3
8	83	4228640847	28 4228 64084 0	2	Plechový kryt	001	A1A2A3B1B2B3
9	83	4228640871	28 4228 64087 0	9	Dílec k našroubování	001	A1A2A3B1B2B3
10	83	4228640701	28 4228 64070 0	8	Upínací kozlík	001	A1A2A3B1B2B3
11	83	4228640750	28 4228 64075 0	3	Napínač řetězu 15Z	001	B2B3
11A	83	4228640775	28 4228 64077 0	1	Napínač řetězu 30Z	001	A1
12	83	4228640806	28 4228 64080 0	6	Šroub s okem	001	A1A2A3B1B2B3
13	83	4228641220	28 4228 64122 0	5	Čep	001	A1B1B2B3
14	83	9902890433	10 7062 05000 0	2	Kuličkové ložisko 6205	001	A1B1B2B3
15	83	9960919831	N		Podložka 8,4 TGL8328GZNC	006	A1A3B1
15A	83	9960919831	N		Podložka 8,4 TGL8328GZNC	004	A2B2B3
16	83	9964917787	N		Pojistný kroužek 52 TGL0472	001	A1B1B2B3
17	83	9905870250	28 9905 87025 0	1	Gufero D32 × 52 × 10	001	A1B1B2B3
18	83	9961910976	N		Pružná podložka B8 TGL7403GZNC	008	A1B1
18A	83	9961910976	N		Pružná podložka B8 TGL7403GZNC	002	A2B2B3
19	83	9961911462	N		Pružná podložka B16 TGL7406GZNC	001	A1B1B2B3
20	83	9950896841	N		Matice M16 TGL09346GZNC	001	A1B1B2B3
21	83	9965955228	28 9965 95522 0	9	Klín s nosem 8 × 7 × 56 TGL9502	002	A1A2A3B1B2B3
22	83	9964917192	N		Pojistný kroužek 25 TGL0471	003	A1A3B1
22A	83	9964917192	N		Pojistný kroužek 25 TGL0471	002	A2B2B3
23	83	9920925507	N		Kuželová maznička A8 TGL071412	001	A1A2A3B1B2B3
24	83	4228640888	28 4228 64088 0	8	Ochranný plech	001	A1A2A3B1B2B3
25	83	4228640453	28 4228 64045 0	9	Závitový čep	001	A1A2A3B1B2B3
26	83	4228640365	28 4228 64036 0	0	Kryt kloubového hřídele	001	A1B1
27	83	4228641173	28 4228 64117 0	2	Připojné hrdlo	001	A1B1
28	83	4228641116	28 4228 64111 0	8	Hrdlo přístroje	001	A1B1
29	83	4228641198	28 4228 64119 0	0	Trubkový kus	001	A1B1
30	83	4228641140	28 4228 64114 0	5	Polovina krytu	001	A1B1
31	83	9973879746	28 9973 87974 0	3	Tl. pružina A2,2 × 24 × 5,5TGL18395	002	A1B1
32	83	9975881667	28 9975 88166 0	5	Miska pružiny 28 × 11,5FON17801	004	A1B1

STROJ: 4 3 332

SKLÍZEČÍ MLÁTIČKA

E-512

TABULKA: 071

Čís. poz.	Roč.	Katalogové číslo	Obchodní číslo zboží	KZ	Název zboží	Kusy	Provedení
33	83	9932959891	N		Šroub M8 × 60 TGL 093188GZNC	002	A1B1
34	83	9933930001	N		Šroub M8 × 20 TGL093388GZNC	005	A1B1
34A	83	9933930001	N		Šroub M8 × 20 TGL093388GZNC	002	A2A3B2B3
35	83	9960962047	N		Podložka 10,5 TGL8328GZNC	002	A1A2A3B1B2B3
36	83	9950895881	N		Matice M8 TGL09346GZN	004	A1B1
36A	83	9950895881	N		Matice M8 TGL09346GZN	002	A2A3B2B3
37	83	9951893790	N		Křídlatá matice M8 TGL0315	006	A1B1
37A	83	9951893790	N		Křídlatá matice M8 TGL0315	004	A2A3B2B3
38	83	9963949360	N		Závlačka 2 × 16 094STGCDC	002	A1B1
39	83	4228640357	28 4228 64035 0	1	Kloubový hřídel	001	A1B1A3B3
40	83	4228640968	28 4228 64096 0	8	Posuvný kus	001	A1B1A3B3
41	83	9910887294	28 9910 88729 0	0	Kloub spojky E25 TGL11797	002	A1B1A3B3
42	83	4228641044	28 4228 64104 0	7	Čtyřhranný hřídel	001	A1B1A3B3
43	83	4228641003	28 4228 64100 0	1	Trubkový hřídel	001	A1A3B1B3
44	83	4228641085	28 4228 64108 0	3	Čtyřhranný hřídel	001	A1A3B1B3
45	83	4228641807	28 4228 64180 0	5	Příruba hřídele	001	A1A3
46	83	9967943794	N		Val. ryh. kolík 10 × 50 TGL0147358	004	A1B1A3B3
47	83	4228642808	28 4228 64280 0	4	Spona	001	A2
48	83	4228642760	28 4228 64276 0	0	Řetězové kolo 30Z	001	A2A3
49	83	9911860396	10 6012 23150 0	9	Klínový řemen 22 × 3150	001	A1A2A3B1B2B3
50	83	9917907277	28 9917 90727 0	3	Val. řetěz 1 × 19,05 × 11,68 × 51	001	A1B1
50A	83	9917906573	28 9917 90657 0	8	Val. řetěz 1 × 19,05 × 11,68 × 63	001	A2A3B2B3
51	83	9932958480	N		Šroub M10 × 35 TGL093188GZNC	002	A1B1B2B3
51A	83	9932958480	N		Šroub M10 × 35 TGL093188GZNC	007	A2
52	83	9950896118	N		Matice M10 TGL09346GZN	008	A1
52A	83	9950896118	N		Matice M10 TGL09346GZN	010	A2
52B	83	9950896118	N		Matice M10 TGL09346GZN	005	B1B2B3
53	83	9961911085	N		Pružná podložka B10 TGL7403GZN	008	A1
53A	83	9961911085	N		Pružná podložka B10 TGL7403GZN	010	A2
53B	83	9961911085	N		Pružná podložka B10 TGL7403GZN	005	B1B2B3
54	83	9933931910	N		Šroub M12 × 30 TGL093388GZNC	004	A1B1
54A	83	9933931910	N		Šroub M12 × 30 TGL093388GZNC	008	B2A2B3
54B	83	9933931910	N		Šroub M12 × 30 TGL093388GZNC	010	A3
55	83	9950896503	N		Matice M12 TGL09346GZNC	006	A1B1
55A	83	9950895503	N		Matice M12 TGL09346GZNC	013	A2
55B	83	9950896503	N		Matice M12 TGL09346GZNC	010	B2B3
56	83	9961911204	N		Pružná podložka B12 TGL7403GZN	004	A1B1

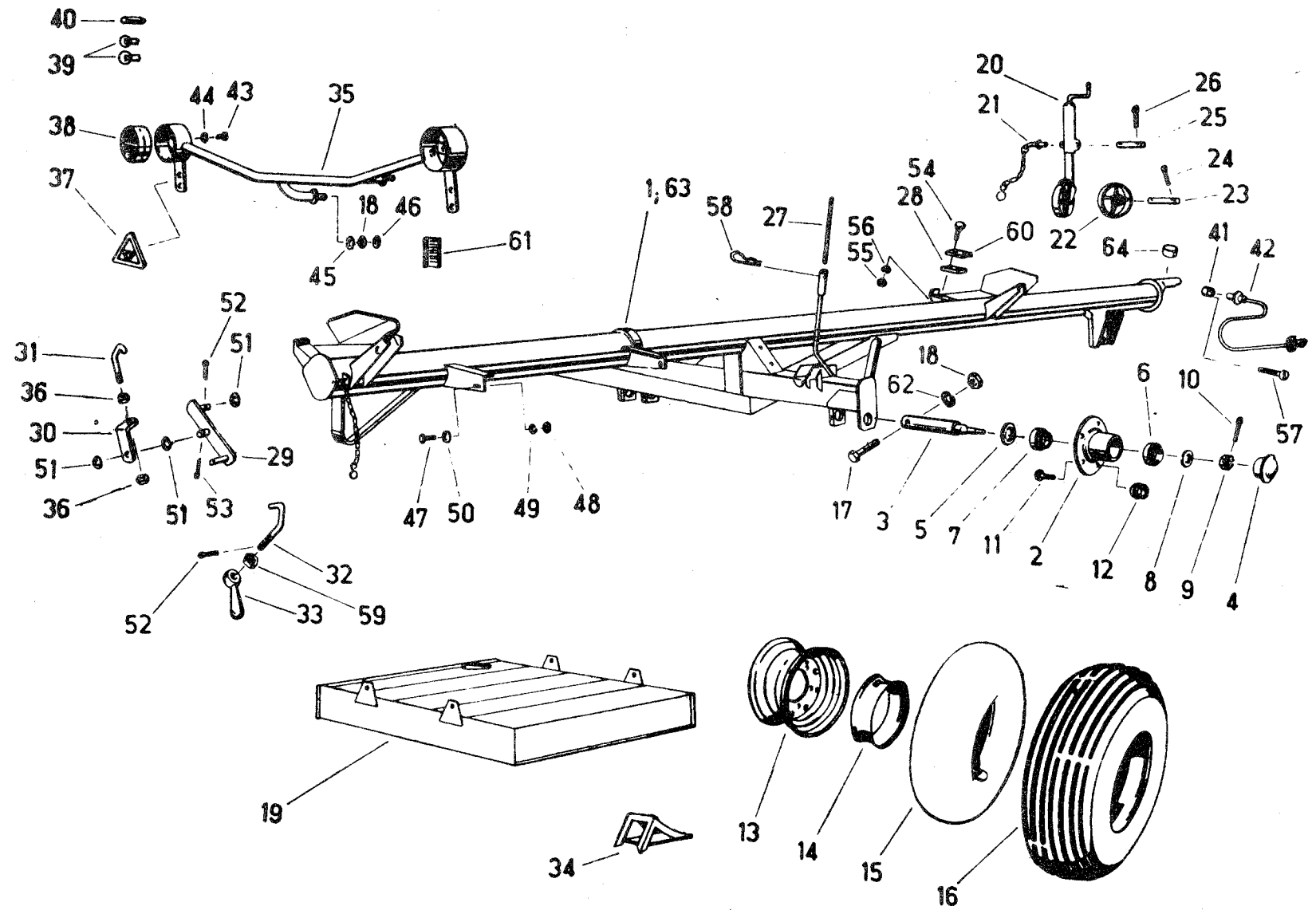
STROJ: 4 3 332

SKLÍZECÍ MLÁTIČKA

E-512

TABULKA: 071

Čís. poz.	Roč.	Katalogové číslo	Obchodní číslo zboží	KZ	Název zboží	Kusy	Provedení
56A	83	9961911204	N		Pružná podložka B12 TGL7403GZN	009	A2
56B	83	9961911204	N		Pružná podložka B12 TGL7403GZN	008	B2B3
57	83	4224644034	28 4224 64403 0	3	Kryt	001	A3
58	83	4224644091	28 4224 64409 0	7	Držák	001	A3
59	83	4224644067	28 4224 64406 0	0	Držák	001	A3
60	83	4228640613	28 4228 64061 0	9	Ochranný hrot	001	A1A2A3B1B2B3
61	83	4228640654	28 4228 64065 0	5	Krycí deska	001	A1A2A3B1B2B3
62	83	9933929860	N		Šroub M8 × 16 TGL093388GZNC	007	A1B1
62A	83	9933929860	N		Šroub M8 × 16 TGL093388GZN	002	A2B2B3
63	83	9933931123	N		Šroub M10 × 30 TGL093388GZNC	003	A1
64	83	4221625725	28 4221 62572 0	9	Napínací špalík	001	A2A3
65	83	4221625741	28 4221 62574 0	7	Rozpěrné pouzdro	001	A2A3
66	83	9932959385	N		Šroub M12 × 80 TGL093188GZN	001	A2A3
67	83	9960923266	N		Podložka 13 TGL0125STGZN	002	A2A3
68	83	9965962147	N		Podložka 26 × 200 × 1 FON14510ST	001	A1A2A3B1B2B3
69	83	9933931027	N		Šroub M10 × 25 TGL093388GZNC	003	A1A2B1B2B3
69A	83	9933931027	N		Šroub M10 × 25 TGL093388GZNC	007	A3
70	83	4228641864	28 4228 64186 0	9	Čep upínacího kola 30Z	001	A1
70A	83	0202315780	N		Čep upínacího kola 15Z	001	B1B2B3
71	83	9919885397	28 9919 88539 0	2	Klínová řemenice B1-250 × 22 × 30	001	A1A2A3B1B2B3



TABULKA: 072

STROJ: 4 3 332

SKLÍZEČÍ MLÁTIČKA

E-512

TABULKA: 072

Čís. poz.	Roč.	Katalogové číslo	Obchodní číslo zboží	KZ	Název zboží	Kusy 14'	Kusy 19'
1	83	4223639720	28 4223 63972 0	9	Kostra	000	001
1A	83	4224640022	28 4224 64002 0	8	Kostra	001	000
2	83	4802495808	28 4802 49580 0	5	Náboj	002	002
3	83	4802495824	28 4802 49582 0	3	Rameno osy	002	002
4	83	4802495832	28 4802 49583 0	2	Víčko náboje	002	002
5	83	9905871661	28 9905 87166 0	4	Gufero D55 × 90 × 10	002	002
6	83	9902888551	10 7332 20800 0	9	Kuželíkové ložisko 32208	002	002
7	83	9902888584	10 7332 21010 0	3	Kuželíkové ložisko 32210	002	002
8	83	9960922964	N		Podložka 33 TGL8328GZNC	002	002
9	83	9951894718	N		Kor. matice M30 × 1,5 TGL393975	002	002
10	83	9963950643	N		Závlačka 6,3 × 55 TGL094STGCD	002	002
11	83	9929902260	28 9929 90226 0	4	Čep kola AM14 × 1,5 × 41 TGL22251	010	010
12	83	9951902488	2809951090248 0	1	Matice kola BM 14 × 1,5 TGL22252	010	010
13	83	9017903892	28 9017 90389 0	1	Diskové kolo 900 × 15KO TGL10521	002	002
14	83	4223657304	28 4223 65730 0	7	Ochranná vložka do ráfku 15"/1	002	002
15	83	4223657320	N		Vzdušnice 10.00.15 TGL20175	002	002
16	83	4032809882	N		Pneumatika 10-15AM TGL6504	002	002
17	83	9932958456	N		Šroub M12 × 100 TGL093188GZNC	002	002
18	83	9950896503	N		Matice M12 TGL09346GZNC	004	004
19	83	4223639761	28 4223 63976 0	5	Posuvná skříň	001	001
20	83	4121082178	28 4121 08217 0	5	Opěrná kladka	001	001
21	83	4121082137	N		Závlačka	001	001
22	83	4121080168	28 4121 08016 0	8	Kolo	001	001
23	83	9949865058	28 9949 86505 0	3	Čep 25 × 125 × 103 TGL01433	001	001
24	83	9963950627	N		Závlačka 6,3 × 40 TGL094STGCD	001	001
25	83	4223639921	28 4223 63992 0	5	Čep	001	001
26	83	9963950797	N		Závlačka 8 × 50 TGL094STGCD	002	002
27	83	4223639833	28 4223 63983 0	6	Měřicí tyčka	001	001
28	83	4223639858	28 4223 63985 0	4	Příložka	004	004
29	83	4223639882	28 4223 63988 0	1	Páka	002	002
30	83	4223639913	28 4223 63991 0	6	Zalomená páka	002	002
31	83	4223639905	28 4223 63990 0	7	Hák	002	002
32	83	4223639946	28 4223 63994 0	3	Hák	002	002
33	83	9910883635	N		Kuželová rukojeť C25 TGL099	002	002
34	83	9915954806	N		Podložný klín 500 TGL9621	002	002
35	83	4223639970	28 4223 63997 0	0	Držák světla	001	001

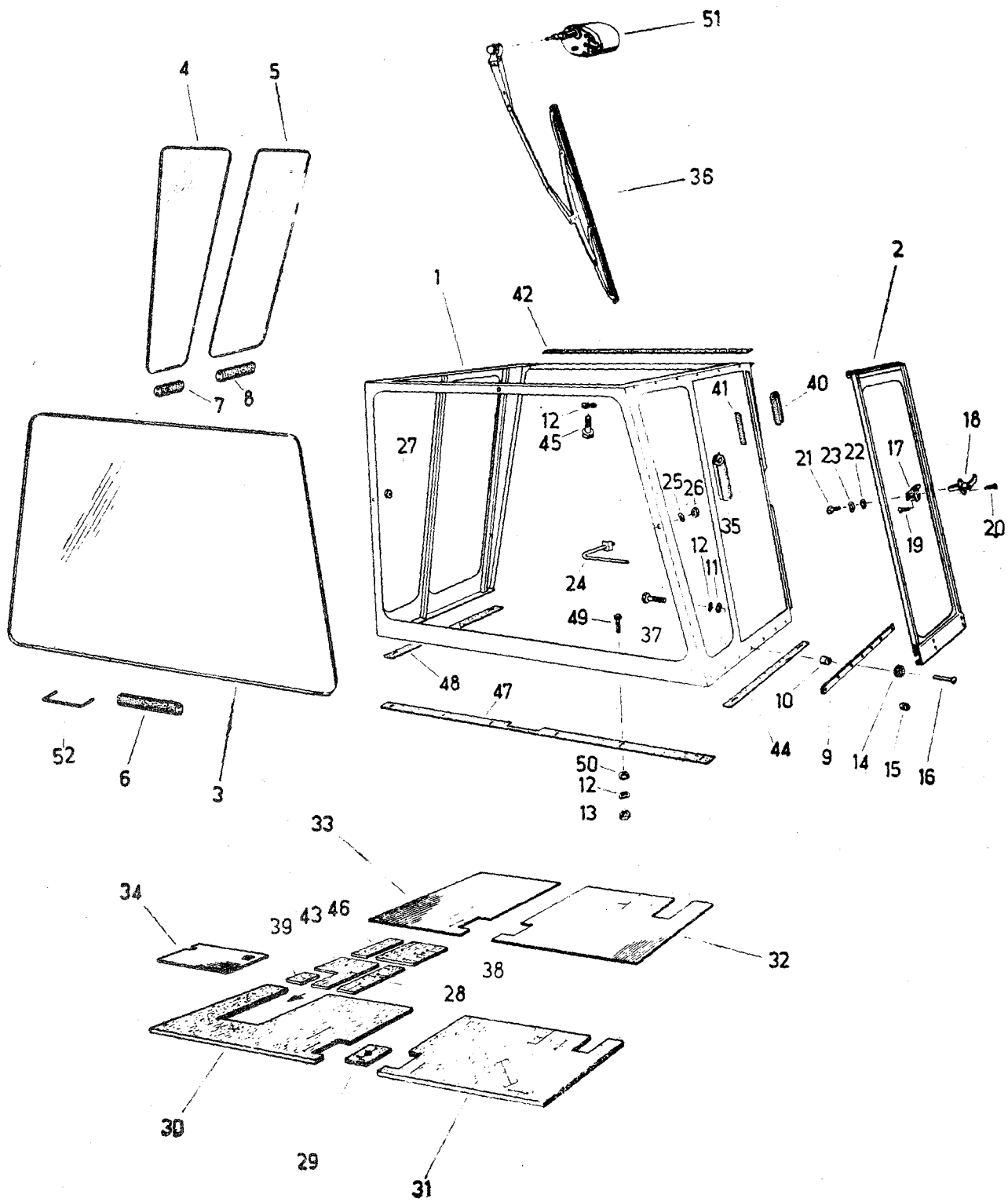
STROJ: 4 3 332

SKLÍZECÍ MLÁTIČKA

E-512

TABULKA: 072

Čís. poz.	Roč.	Katalogové číslo	Obchodní číslo zboží	KZ	Název zboží	Kusy 14'	Kusy 19'
36	83	9950896841	N		Matice M16 TGL09346GZN	004	004
37	83	9019877122	10 0550 00400 0	0	Odraz. sklo. trojúhel. A TGL31305	002	002
38	83	9019874056	28 9019 87405 0	3	Světla blikací-brzd. kon. majáček	002	002
39	83	9019876402	28 9019 87640 0	8	Žárovka FZLB34V21W-BA15S	004	004
40	83	9019876283	28 9019 87628 0	4	Žárovka FZLB24V5WBA15STGL10833	002	002
41	83	9019878002	28 9019 87800 0	4	Zásuvka	001	001
42	83	4223639737	28 4223 63973 0	8	Spojovací kabel	001	001
43	83	9933929651	N		Šroub M6 × 14 TGL093388GZNC	004	004
44	83	9961910847	N		Pružná podložka B6 TGL7403GZNC	004	004
45	83	9960922031	N		Podložka 13 TGL8328GZNC	002	002
46	83	9950896472	N		Matice AM12TGL04395GZNC	002	002
47	83	9933930942	N		Šroub M10 × 20 TGL093388GZNC	004	004
48	83	9950896118	N		Matice M10 TGL09346GZN	004	004
49	83	9961911085	N		Pružná podložka B10 TGL7403GZN	004	004
50	83	9960962047	N		Podložka 10,5 TGL8328GZNC	004	004
51	83	9960962055	N		Podložka 17 TGL8328GZNC	006	006
52	83	9963950153	N		Závlačka 4 × 32 TGL094STGCDC	002	002
53	83	9963950274	N		Závlačka 5 × 32 TGL094STGCD	002	002
54	83	9945926557	N		Šroub M8 × 50 TGL0603	004	004
55	83	9950895881	N		Matice M8 TGL09346GZN	004	004
56	83	9961910976	N		Pružná podložka B8 TGL74036ZNC	004	004
57	83	9941934183	N		Zap. šroub AM5 × 30 TGL568358	003	003
58	83	9928939185	N		Pružná závlačka 8 TGL3316121	001	001
59	83	9950897110	N		Matice AM16 TGL043940GZNC	002	002
60	83	4229671610	28 4229 67161 0	0	Podložka	004	004
61	83	9019873834	28 9019 87383 0	0	Zdirk. svorkovnice 1,5 TGL2003681	001	001
62	83	9961911204	N		Pružná podložka B12 TGL7403GZN	002	002



TABULKA: 073

STROJ: 4 3 332

SKLÍZEČÍ MLÁTIČKA

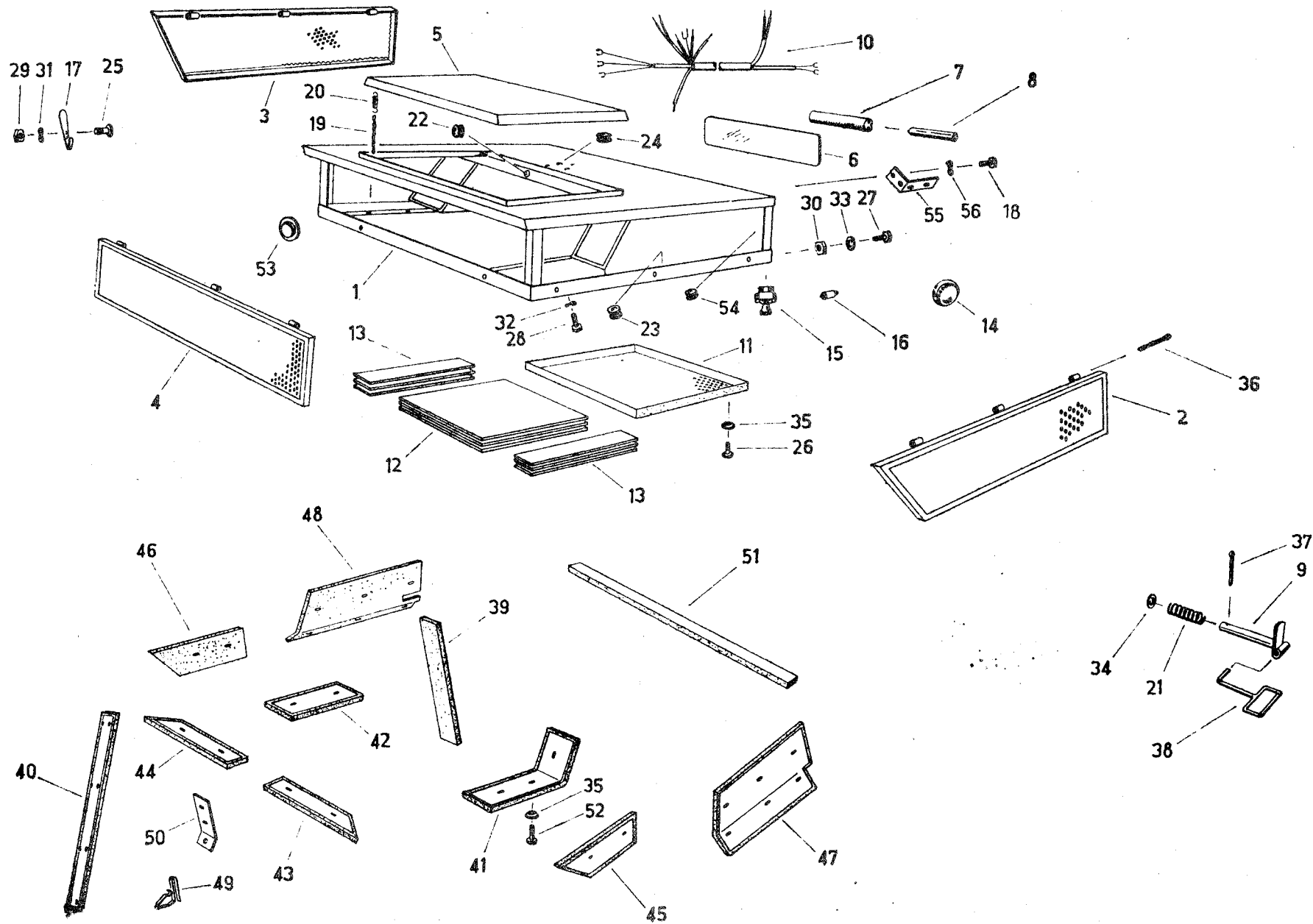
E-512

TABULKA: 073

Čís. poz.	Roč.	Katalogové číslo	Obchodní číslo zboží	KZ	Název zboží	Kusy	Provedení
1	83	4228665992	28 4228 66599 0	6	Rám	001	
2	83	4228666124	28 4228 66612 0	8	Rám dveří	001	
3	83	4228665051	28 4228 66505 0	8	Čelní sklo okenni	001	
4	83	4228665068	28 4228 66506 0	7	Postranní sklo okenni	002	
5	83	4228665076	28 4228 66507 0	6	Dveřní sklo okenni	002	
6	83	4221659035	28 4221 65903 0	2	Přidrzná guma 5075 dlouhá	001	
7	83	4221659043	28 4221 65904 0	1	Přidrzná guma 2950 dlouhá	002	
8	83	4221659180	28 4221 65918 0	5	Přidrzná guma 3145 dlouhá	002	
9	83	4228666261	28 4228 66626 0	2	Lišta	001	
10	83	4135774003	28 4135 77400 0	8	Pouzdro	007	
11	83	9961921673	N		Podložka A9,5 TGL0440GZN	007	
12	83	9961919976	N		Pružná podložka 8 TGL2927	027	
13	83	9950895881	N		Matice M8 TGL09346GZN	010	
14	83	4228666140	28 4228 66614 0	6	Váleček	002	
15	83	4228666157	28 4228 66615 0	5	Váleček	002	
16	83	9971900802	N		Nýt B8 × 30 TGL07338ST3402	004	
17	83	4228666253	28 4228 66625 0	3	Klika dveří	001	
18	83	4221659228	28 4221 65922 0	9	Klika dveří 10.12/70černá	001	
19	83	9941934560	N		Zap. šroub BM8 × 20 TGL568348GZNC	002	
20	83	9941934214	N		Zap. šroub BM5 × 10 TGL568348GZNC	002	
21	83	9938927790	N		Šroub s coc. hl. BM4 × 8 TGL08555	001	
22	83	9964921478	N		Podložka 4,3 TGL09021GZN	001	
23	83	9961919871	N		Pružná podložka 4 TGL2927	001	
24	83	4228665203	28 4228 66520 0	9	Držák	002	
25	83	9961920166	N		Pružná podložka 10 TGL2927	002	
26	83	9950896118	N		Matice M10 TGL09346GZN	002	
27	83	9972876978	N		Kabel. objímka A12 × 1,5 TGL14999	001	
28	83	4221665355	28 4221 66535 0	6	Deska	010	
29	83	4228665228	28 4228 66522 0	7	Těsnění sloupku řízení	001	
30	83	4228665252	28 4228 66525 0	4	Povrchový obklad podlahy	001	
31	83	4228665277	28 4228 66527 0	2	Povrchový obklad podlahy	001	
32	83	4228665308	28 4228 66530 0	7	Rohožka	001	
33	83	4228665316	28 4228 66531 0	6	Rohožka	001	
34	83	4228665324	28 4228 66532 0	5	Rohožka	001	
35	83	4240036680	28 4240 03668 0	8	Profil škoda	001	
36	83	9019875764	28 9019 87576 0	7	Plast. řemeno stěrače okna	001	
37	83	9931930678	N		Šroub M8 × 35 TGL0601GZNC	001	

STROJ: 4 3 332**SKLÍZEČÍ MLÁTIČKA****E-512****TABULKA: 073**

Čís. poz.	Roč.	Katalogové číslo	Obchodní číslo zboží	KZ	Název zboží	Kusy	Provedení
38	83	4221665347	28 4221 66534 0	7	Deska	001	
39	83	4221665330	28 4221 66533 0	8	Deska	001	
40	83	4221659051	28 4221 65905 0	0	Přidrzná guma MF342 1370DL.	002	
41	83	4228666003	28 4228 66600 0	2	Gumový pás	001	
42	83	4228666011	28 4228 66601 0	1	Gumový pás	001	
43	83	4221665363	28 4221 66536 0	5	Deska	001	
44	83	4228666028	28 4228 66602 0	0	Gumový pás	001	
45	83	9930929871	N		Šroub M8 × 16 TGL0558GZNC	010	
46	83	4221665371	28 4221 66537 0	4	Deska	001	
47	83	4228666036	28 4228 66603 0	9	Gumový pás	002	
48	83	4228666044	28 4228 66604 0	8	Gumový pás	001	
49	83	9932930131	N		Šroub M8 × 30 TGL0601GZNC	010	
50	83	9960919831	N		Podložka 8,4 TGL8328GZNC	006	
51	83	9019877323	28 9019 87732 0	7	Motorek stěrače 874322	001	
52	83	4228666366	28 4228 66636 0	0	Svorka	005	



TABULKA 74

TABULKA: 074

STROJ: 4 3 332

SKLÍZECÍ MLÁTIČKA

E-512

TABULKA: 074

Čís. poz.	Roč.	Katalogové číslo	Obchodní číslo zboží	KZ	Název zboží	Kusy	Provedení
1	83	4240033268	28 4240 03326 0	1	Střecha	001	
2	83	4240033524	28 4240 03352 0	9	Clona	001	
3	83	4240033532	28 4240 03353 0	8	Clona	001	
4	83	4240033540	28 4240 03354 0	7	Clona	001	
5	83	4240033557	28 4240 03355 0	6	Viko	001	
6	83	4228665701	28 4228 66570 0	9	Zadní sklo	001	
7	83	4240044367	28 4240 04436 0	6	Přidrzná guma MF2332100 dl.	001	
8	83	4221659203	28 4221 65920 0	1	Plnič natržení profil4033 2100	001	
9	83	4228666390	28 4228 66639 0	7	Páka	008	
10	83	4240033516	28 4240 03351 0	0	Svazek kabelu	001	
11	83	4240032276	28 4240 03227 0	1	Absorber	001	
12	83	4240033493	28 4240 03349 0	4	Rohož	003	
13	83	4240033508	28 4240 03350 0	1	Rohož	006	
14	83	9019874185	28 9019 87418 0	8	Stropní světlo prům. 65	001	
15	83	9019875120	28 9019 87512 0	3	Posuvný spínač	002	
16	83	9019876322	28 9019 87632 0	8	Žárovka E24V5W-S8TGL10833	001	
17	83	565823943	N		Háček na klobouk	001	
18	83	9933929112	N		Šroub M6 × 12 TGL093348GZNC	002	
19	83	N	N		Uzlov. řetěz 1,6TGL4738 10ČL.	004	
20	83	9974880755	28 9974 88075 0	7	Taž. pružina B1,6 × 11 × 40ATGL18397	004	
21	83	9973879658	28 9973 87965 0	4	Tl. pružina A1,2 × 13 × 11,5 TGL18395	008	
22	83	9972876978	N		Kabel. objímka A12 × 1,5 TGL14999	001	
23	83	9972877054	28 9972 87705 0	0	Kabel. objímka A6 × 1,5 TGL14999	001	
24	83	9972877062	N		Kabel. objímka 11320F	002	
25	83	9941934351	N		Zap. šroub BM4 × 12 TGL568348	001	
26	83	9937928132	N		Šroub s coc. hl. B4,8 × 16 TGL07973	012	
27	83	9933929370	N		Šroub M6 × 20 TGL093388GZNC	004	
28	83	9933930001	N		Šroub M8 × 20 TGL093388GZNC	008	
29	83	9950895430	N		Maticice M4 TGL09346GZNC	002	
30	83	9950895711	N		Maticice M6 TGL09346GZNC	002	
31	83	9961919871	N		Pružná podložka 4 TGL2927	002	
32	83	9961919976	N		Pružná podložka 8 TGL2927	008	
33	83	9960919856	N		Podložka 6,4 TGL8328GZNC	008	
34	83	9960921633	N		Podložka 8,4 TGL17774STGZNC	008	
35	83	9960924041	N		Zap. podložka A5 TGL21705STGZNC	043	
36	83	9963950555	N		Závlačka 6,3 × 90 TGL094STGZNC	008	
37	83	9963949336	N		Závlačka 2 × 12 TGL094STGCD	008	

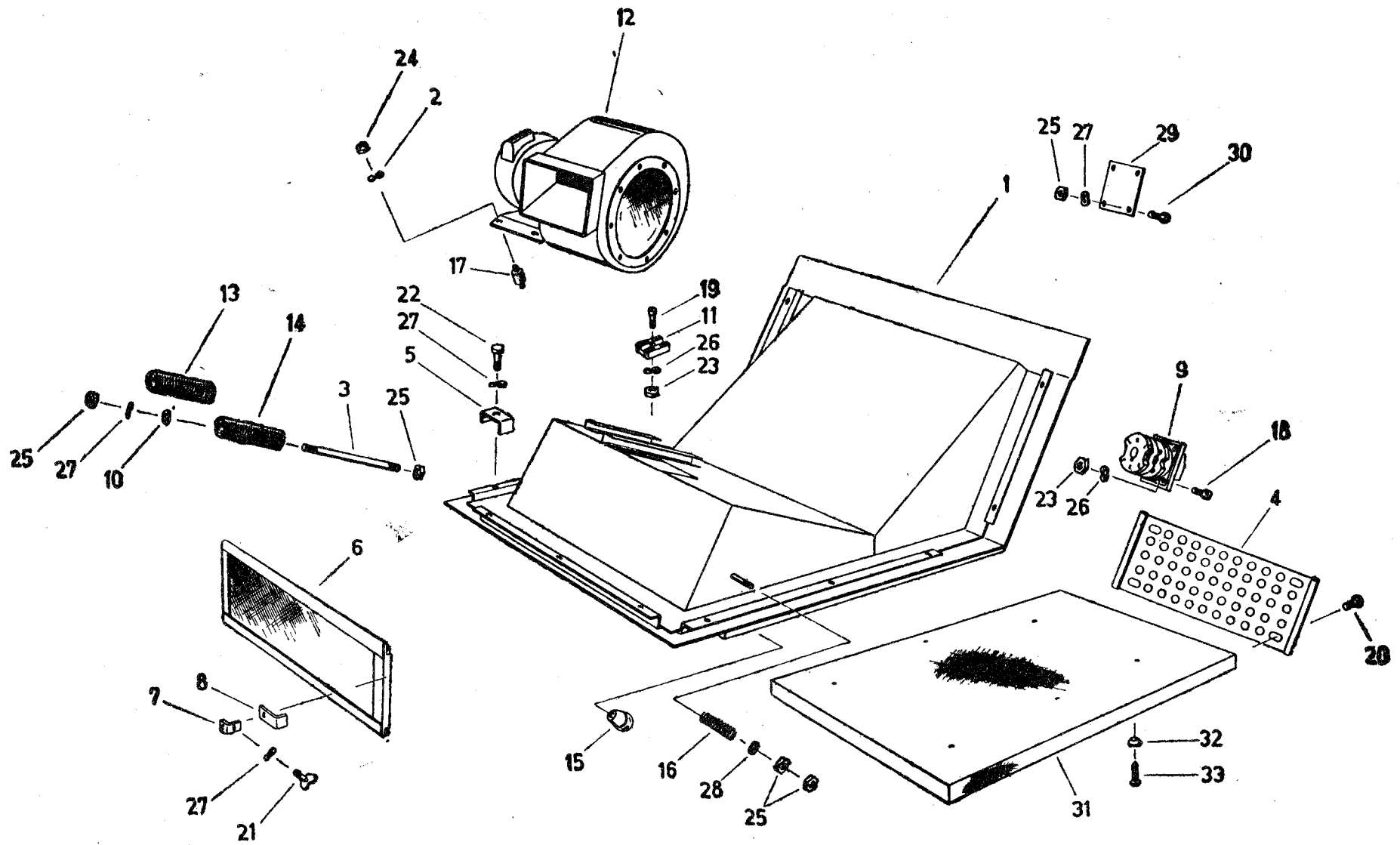
STROJ: 4 3 332

SKLÍZECÍ MLÁTIČKA

E-512

TABULKA: 074

Čís. poz.	Roč.	Katalogové číslo	Obchodní číslo zboží	KZ	Název zboží	Kusy	Provedení
38	83	4228666412	28 4228 66641 0	3	Tažný hák	001	
39	83	0205164860	N		Rámový absorber	001	
40	83	4240032121	28 4240 03212 0	8	Rámový absorber	002	
41	83	4240032138	28 4240 03213 0	7	Absorber čelní stěny	002	
42	83	4240032146	28 4240 03214 0	6	Absorber čelní stěny	001	
43	83	4240032154	28 4240 03215 0	5	Čelní absorber, vlevo	001	
44	83	4240032162	28 4240 03216 0	4	Čelní absorber, vpravo	001	
45	83	4240032170	28 4240 03217 0	3	Podélný absorber, vlevo	001	
46	83	4240032187	28 4240 03218 0	2	Podélný absorber, vpravo	001	
47	83	4240032195	28 4240 03219 0	1	Podélný absorber, vlevo	001	
48	83	4240032201	28 4240 03220 0	8	Podélný absorber, vpravo	001	
49	83	4240037778	28 4240 03777 0	6	Pružinová svorka 34HONGZNC	016	
50	83	4240032017	28 4240 03201 0	1	Příložka	002	
51	83	4240028037	28 4240 02803 0	5	Těsnící pás	001	
52	83	9937928124	N		Šroub s coc. hl. B4,8 × 25	031	
53	83	4240026211	28 4240 02621 0	5	Uzavírací víko	001	
54	83	9972876937	28 9972 87693 0	5	Kabel. objímka A10 × 1,5 TGL14999	001	
55	83	0205240670	N		Držák	001	
56	83	9961919927	N		Pružná podložka 6 TGL0137GZN	002	



TABULKA 74A

TABULKA: 074A

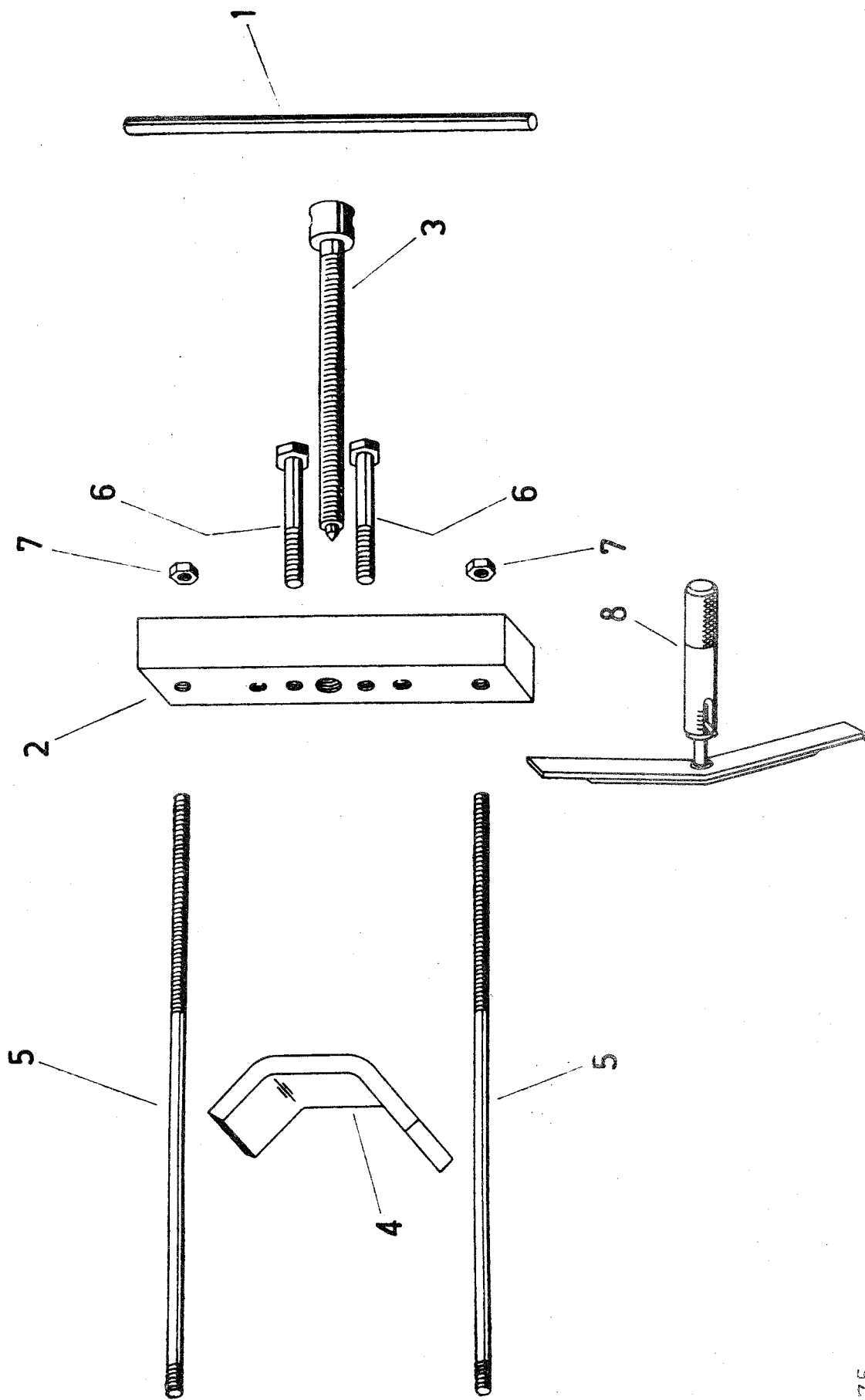
STROJ: 4 3 332

SKLÍZECÍ MLÁTIČKA

E-512

TABULKA: 074A

Čís. poz.	Roč.	Katalogové číslo	Obchodní číslo zboží	KZ	Název zboží	Kusy	Provedení
1	83	4240026076	28 4240 02607 0	3	Vložka	001	
2	83	9961919935	N		Pružná podložka 5 TGL2927	004	
3	83	4221666403	28 4221 66640 0	8	Hřidel	002	
4	83	4228665621	28 4228 66562 0	9	Zástrčka	002	
5	83	4240026084	28 4240 02608 0	2	Upínací čelist	012	
6	83	4240025018	28 4240 02501 0	0	L-Filtr	003	
7	83	4228665951	28 4228 66595 0	0	Čelist	004	
8	83	4228666358	28 4228 66635 0	1	úhelník	002	
9	83	3340213253152	N		Vačkový spínač	001	
10	83	9961921608	N		Podložka A7 TGL0440GZNC	002	
11	83	9019876000	28 9019 87600 0	6	Svorkovnice dvoupólová	001	
12	83	9019877444	28 9019 87744 0	3	Větrák LRT 125 SUMAT.24V/120W	001	
13	83	9019876611	28 9019 87661 0	3	Odpor silnoproud. STAWI 80W08B51	001	
14	83	9019876603	28 9019 87660 0	4	Odpor silnoproud. STAWI80W1, 4BS	001	
15	83	9910883860	N		Kulová rukojeť B25 TGL2950	001	
16	83	9973879674	28 9973 87967 0	2	Tl. pružina A1,4 × 10 × 11,5 TGL18395	001	
17	83	9972881444	28 9972 88144 0	7	Gum. pružina A20 × 20/10 tlak	004	
18	83	9936938030	N		Val. šroub BM4 × 16 TGL08458GZNC	004	
19	83	9936938705	N		Val. šroub BM4 × 20 TGL08458GZNC	008	
20	83	9939927628	N		Šroub s coc hl. M6 × 4 TGL093258	008	
21	83	9944926871	N		Kříd. šroub M6 × 25 TGL0316GZNC	012	
22	83	9933957815	N		Šroub M6 × 16 TGL093348GZNC	005	
23	83	9950895430	N		Matice M4 TGL09346GZN	005	
24	83	9950895592	N		Matice M5 TGL09346GZN	004	
25	83	9950895711	N		Matice M6 TGL09346GZN	010	
26	83	9961919871	N		Pružná podložka 4 TGL2927	005	
27	83	9961919943	N		Pružná podložka 6 TGL2927	024	
28	83	9960921553	N		Podložka 6,4 TGL17774GZN	001	
29	83	4240039378	28 4240 03937 0	2	Deska	001	
30	83	9936938328	N		Val. šroub BM6 × 16 TGL08458GZNC	004	
31	83	4240032000	28 4240 03200 0	2	Absorber	001	
32	83	9960924041	N		Zap. podložka A5 TGL21705STGZNC	007	
33	83	9937928044	N		Šroub s coc. hl. DM5 × 25 TGL5738	007	



TABULKA: 075

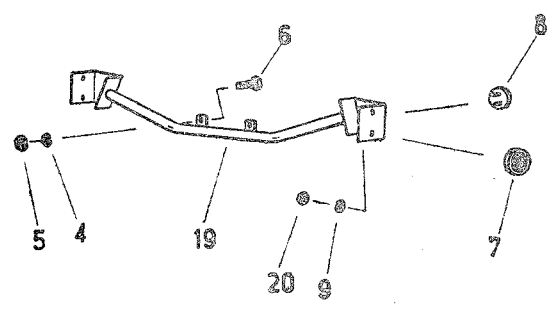
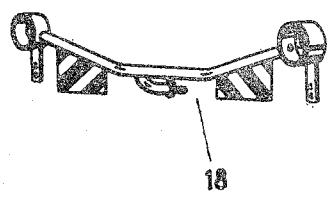
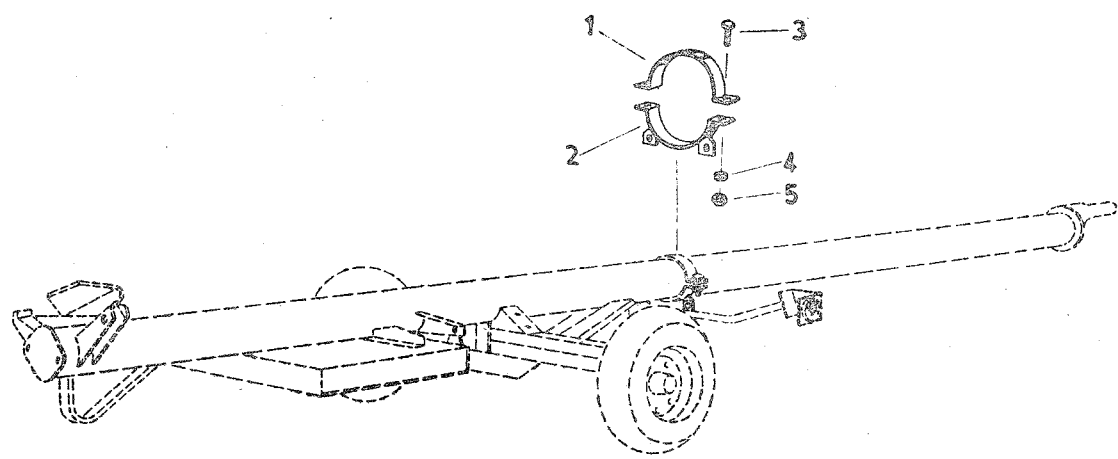
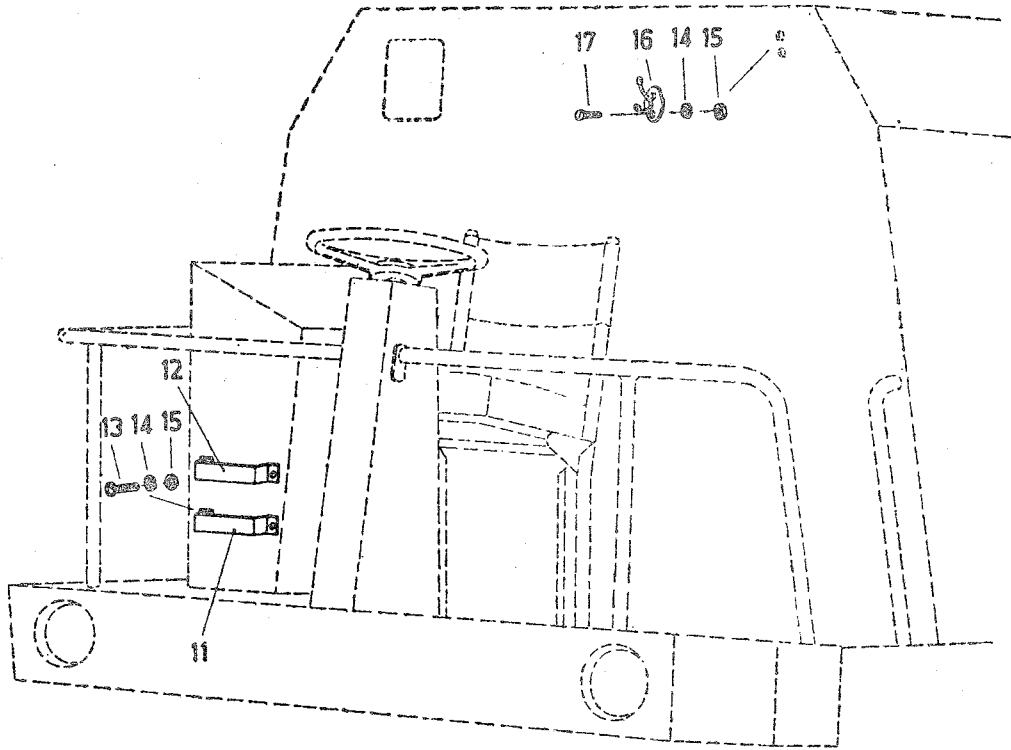
STROJ: 4 3 332

SKLÍZEČÍ MLÁTIČKA

E-512

TABULKA: 075

Čís. poz.	Roč.	Katalogové číslo	Obchodní číslo zboží	KZ	Název zboží	Kusy	Provedení
1	83	N	N		Otoč. kolík A14 TGL4873219	001	
2	83	4221650822	28 4221 65082 0	6	Traverza	001	
3	83	4221650863	28 4221 65086 0	2	Vřeteno	001	
4	83	4221650871	28 4221 65087 0	1	Mústek	001	
5	83	4221650902	28 4221 65090 0	6	Vřeteno	002	
6	83	9934959664	N		Šroub M16 × 1,5 × 130 TGL096088	002	
7	83	9950896841	N		Maticice M16 TGL09346GZNC	004	
8	83	4221659236	28 4221 65923 0	8	Zkušební přípravek	001	



TABULKA: 076

STROJ: 4 3 332

SKLÍZECÍ MLÁTIČKA

E-512

TABULKA: 076

Čís. poz.	Roč.	Katalogové číslo	Obchodní číslo zboží	KZ	Název zboží	Kusy	Provedení
1	83	4221640058	28 4221 64005 0	1	Třmen	001	
2	83	4221640041	28 4221 64004 0	2	Přidržený třmen	001	
3	83	9933931123	N		Šroub M10 × 30 TGL093388GZNC	002	
4	83	9961911085	N		Pružná podložka B10 TGL7403GZN	004	
5	83	9950896118	N		Maticе M10 TGL09346GZN	004	
6	83	9933931027	N		Šroub M10 × 25 TGL093388GZNC	002	
7	83	9019877612	10 0550 00300 0	1	Odrážka kulatá, žlutá	002	
8	83	9019877604	10 0550 00100 0	3	Odrážka kulatá, bezbarvá	002	
9	83	9961921608	N		Podložka A7 TGL0440GZNC	008	
10	83	9950895711	N		Maticе M6 TGL09346GZNC	008	
11	83	4221650701	28 4221 65070 0	0	Držení	001	
12	83	4221650718	28 4221 65071 0	9	Třmen	001	
13	83	9938927694	N		Šroub s coc. hl. BM4 × 10TGL08548	004	
14	83	9961910605	N		Pružná podložka B4 TGL7403GZNC	006	
15	83	9950895430	N		Maticе M4 TGL09346GZN	006	
16	83	4221656506	N		Hák na oděv 3688 TGL4833502	001	
17	83	N	N		Šroub zap. AM4 × 12 TGL56835.8	002	
18	83	4223639987	28 4223 63998 0	9	Držák světel	001	
19	83	4221640033	28 4221 64003 0	3	Držák zářiče	001	
19A	83	0205291920	N		Posuvný štít	001	